

Ecostat Square Pressure Balance Trim

Finishes : **brushed nickel** Part no. : **15724821**



Description

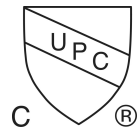
Features

- Integrated bypass for use with diverter tub spouts
- Temperature and on/off control for 1 outlet

Item details

List Price \$ 288.00

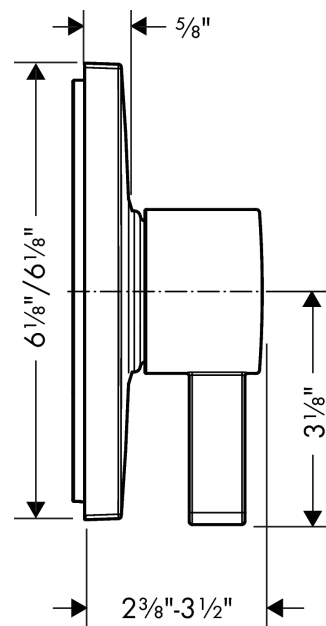
Compliance



Product image



Scale drawing



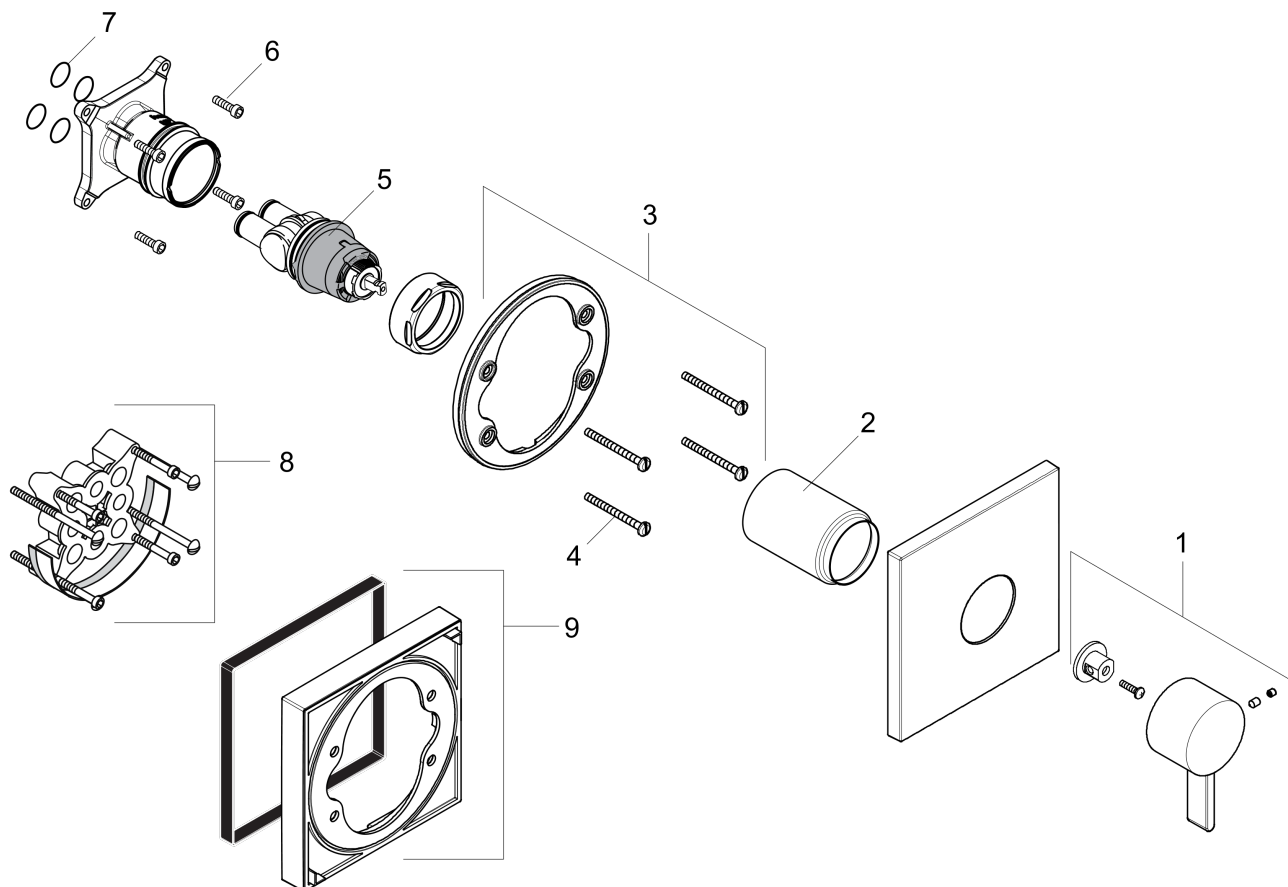
**Ecostat Square
Pressure Balance Trim**

Finishes : **brushed nickel** Part no. : **15724821**



Exploded drawing

Year of production: >07/18



**Ecostat Square
Pressure Balance Trim**

Finishes : **brushed nickel** Part no. : **15724821**



Spare parts list

Year of production: >07/18

| Pos. | Description | Part no. | Price | PU |
|------|-----------------------|----------|-------|----|
| 1 | handle | 88763820 | - | 1 |
| 2 | sleeve | 88765820 | - | 1 |
| 3 | holder for escutcheon | 98793000 | - | 1 |
| 4 | set of fixing screws | 96454000 | - | 1 |
| 5 | cartridge, assy | 88727000 | - | 1 |
| 6 | set of screws | 96525000 | - | 1 |
| 7 | O-ring 16x2 | 98133000 | - | 1 |
| 8 | extension 25 mm | 13595000 | - | 1 |
| 9 | extension 22 mm | 13593820 | - | 1 |