

# ROD COUPLINGS AND TURNBUCKLES



**Fig. 135 and 135i:** Straight with Sight-Hole

Rod Coupling

**Fig. 135E:** Straight Less Sight-Hole

**Fig. 135R:** Reducing

**Size Range:** 1/4" through 1"

**Material:** Carbon steel

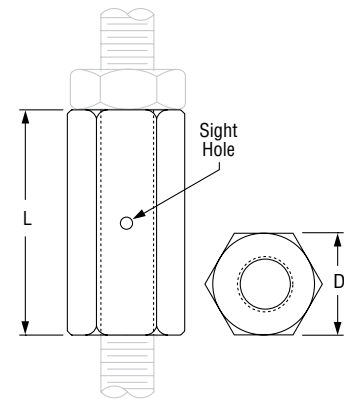
**Finish:**  Fig. 135 and 135i: Plain;  Fig.135E Zinc Plated and  Fig.135R Zinc Plated

**Service:** For connecting rods to accommodate up to 1" diameter and support up to 5,900 pounds.

**Ordering:** Specify rod size, figure number and name.



FIG 135, 135I, 135E, 135R: DIMENSIONS (IN) • LOADS (LBS) • WEIGHTS (LBS)				
Rod Size A	Max Load	Weight	D	L
<b>Fig. 135 &amp; 135i: Straight With Sight-Hole</b>				
3/8	730	0.09	9/16	1 1/8
1/2	1,350	0.12	3/4	1 1/2
5/8	2,160	0.24	15/16	1 7/8
3/4	3,230	0.42	1 1/8	2 1/4
7/8	4,480	0.66	1 5/16	2 5/8
1	5,900	1.00	1 1/2	3
<b>Fig. 135E: Straight Less Sight-Hole</b>				
1/4	240	0.03	3/8	7/8
3/8	730	0.09	5/8	1 1/8
1/2	1,350	0.14	1 1/16	1 3/4
5/8	2,160	0.26	13/16	2 1/8
3/4	3,230	0.34	1	2 1/4
7/8	4,480	0.55	1 1/4	2 1/2
1	5,900	0.75	1 3/8	2 3/4
<b>Fig. 135R: Reducing</b>				
3/8 x 1/4	240	0.13	5/8	1 1/2
1/2 x 3/8	730	0.13	1 1/16	1 1/4
5/8 x 1/2	1,350	0.19	13/16	1 1/4
3/4 x 5/8	2,160	0.26	1	1 1/2
7/8 x 3/4	3,230	0.41	1 1/4	1 3/4



PROJECT INFORMATION		APPROVAL STAMP	
Project:		<input type="checkbox"/> Approved	
Address:		<input type="checkbox"/> Approved as noted	
Contractor:		<input type="checkbox"/> Not approved	
Engineer:		Remarks:	
Submittal Date:			
Notes 1:			
Notes 2:			