



Holt® | K-38413-SC02

Two-light sconce

Features

- Globe-shaped seeded-glass shades combine with wood and metal detailing for a rustic yet industrial presentation
- Requires bulbs with medium (E26) base; type A19 bulb recommended (sold separately)
- Suitable for damp locations, per UL 1598
- Includes installation hardware
- Fixture is dimmable when paired with dimmer switch and compatible bulbs



Available Colors/Finishes

Color tiles intended for reference only.

- BNL Brushed Nickel
- CPL Polished Chrome
- BML Black with Brass Trim



1-800-4KOHLER (1-800-456-4537)
Kohler Co. reserves the right to make revisions without notice to product specifications.
For the most current specification sheet, go to www.kohler.com USA or www.kohler.ca Canada.
6-30-2026 21:0 - US-CA

THE BOLD LOOK
OF **KOHLER**®

Codes/Standards

CSA C22.2 No. 250.0

Technical Information

All product dimensions are nominal.

Number of Lights:	2
Lighting Type:	Socket-based
Socket Type:	E-26 Medium
Number of Shades:	2
Hanging Type:	Non-hanging

Material

- Premium metal, glass, and wood construction
 - Manufactured with quality materials and complemented with a meticulous finishing process
 - Durable finishes engineered to last and designed to coordinate with KOHLER faucet finishes
-

Required Electrical Service

One circuit required.

120 V, 1 A, 60 Hz

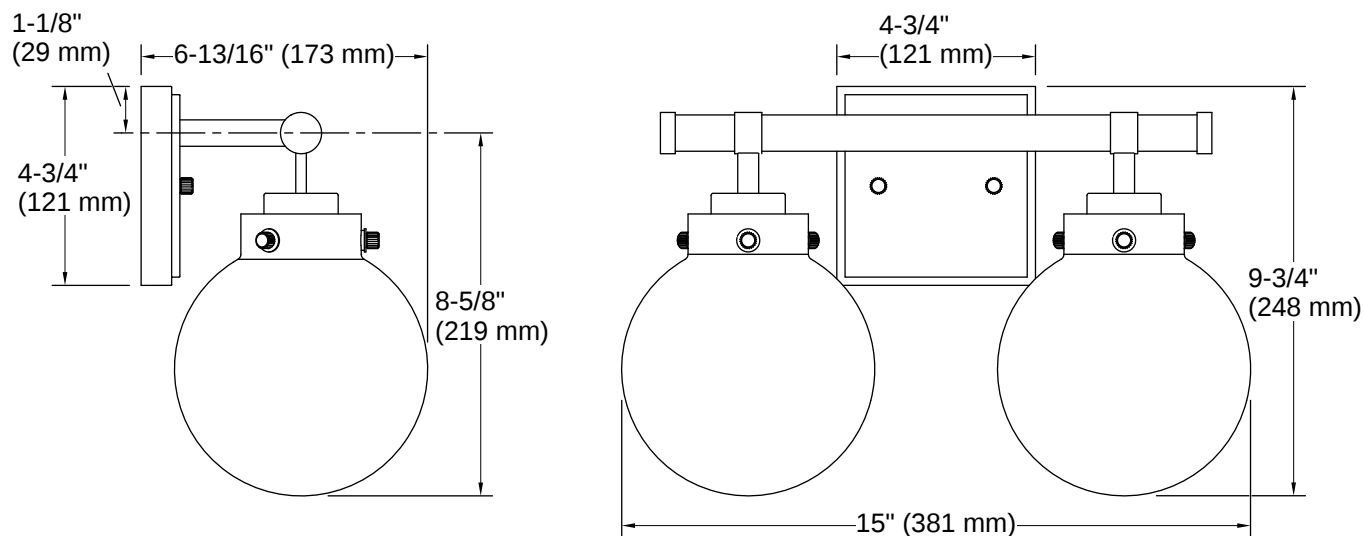
Warranty

See website for detailed warranty information.

KOHLER® Indoor Lighting Fixtures Limited Warranty



1-800-4KOHLER (1-800-456-4537)
Kohler Co. reserves the right to make revisions without notice to product specifications.
For the most current specification sheet, go to www.kohler.com USA or www.kohler.ca Canada.
6-30-2026 21:0 - US-CA



Installation

- Wall-mount

Installation Notes

Install this product according to the installation instructions.

