

Charlemont™ | K-29263-BD1

60" bathroom vanity cabinet with sinks and quartz top

Features

- Set includes cabinet, precut quartz vanity top, backsplash, sinks, cabinet hardware
- Convenient tilt-down drawer under each basin for storing smaller, frequently-used items
- Four full-extension 17" (432 mm) drawers with soft-close side-mount slides
- Three-way adjustable soft-close door hinges for easy cabinet access
- 20" (508 mm) cabinet interior provides ample storage space
- Finish-matched cabinet interior offers generous clearance for plumbing
- Vanity top has 8" (203 mm) widespread faucet holes; requires deck-mount faucets (sold separately)
- Vibrant® Brushed Nickel hardware included on White, Umbral Green and Draper Oak vanities, Vibrant Brushed Moderne Brass hardware on Ferrous Grey and Tidal Blue vanities, and Matte Black hardware on Light Oak vanities
- White (GWT) quartz vanity top and backsplash add beauty and long-lasting durability
- Coordinates with White (GWT) quartz side splash (sold separately)



Available Colors/Finishes

Color tiles intended for reference only.

- 0 White
- DWG Ferrous Grey
- TDB Tidal Blue
- WEK Light Oak
- DAK Draper Oak
- UMG Umbral Green



1-800-4KOHLER (1-800-456-4537)

Kohler Co. reserves the right to make revisions without notice to product specifications.
For the most current specification sheet, go to www.kohler.com USA or www.kohler.ca Canada.
5-30-2026 18:1 - US-CA

Codes/Standards

ASME A112.19.2/CSA B45.1
EPA TSCA Title VI/CARB P2

Technical Information

All product dimensions are nominal.

Lighting Included:	No
Number of Deck Holes:	3
Center(s):	8" (203 mm)

Material

- Vitreous china sinks
 - Solid wood and moisture-resistant MDF
-

Recommended Products/Accessories

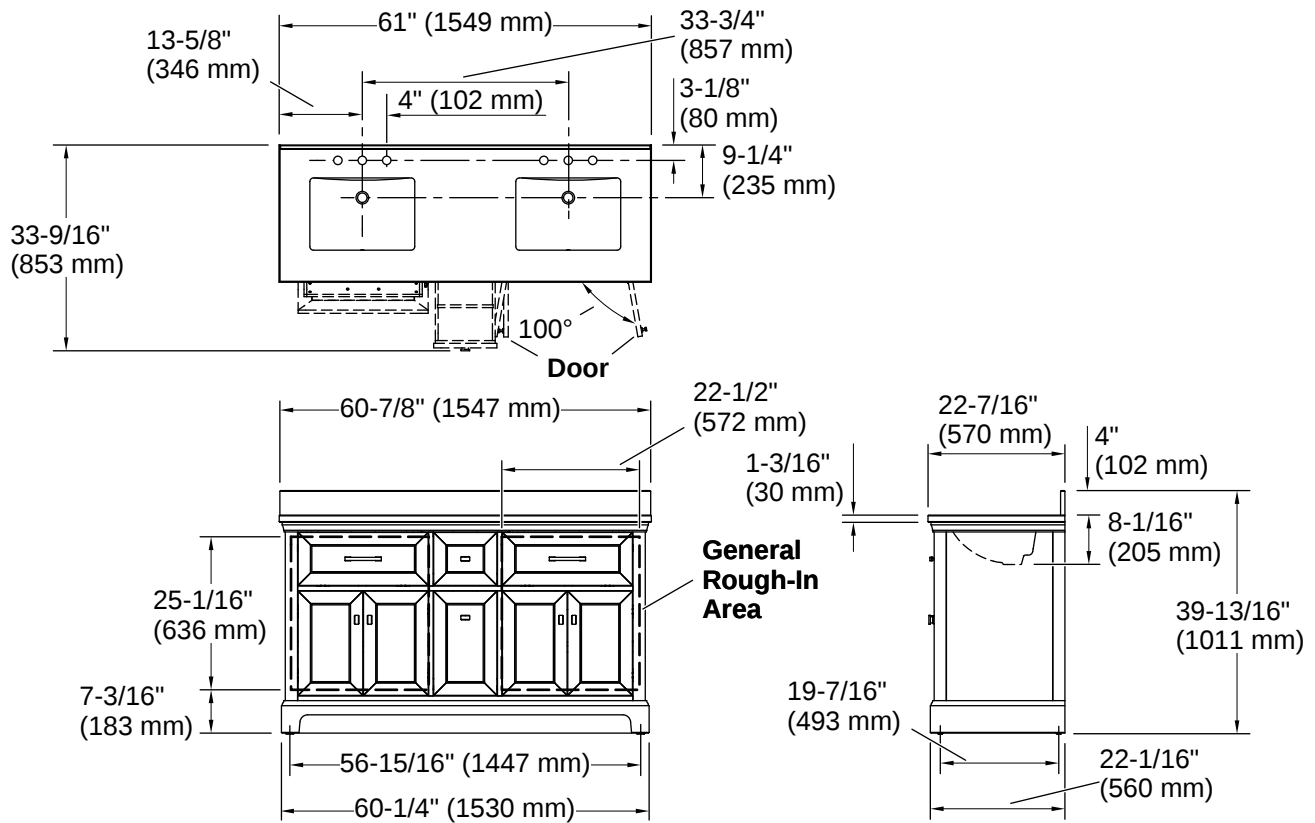
K-38554 4" x 21-11/16" quartz side splash

Warranty

See website for detailed warranty information.

KOHLER® One-Year Limited Warranty





Installation

- Separate vanity top makes for simplified installation
- Easy installation - no special tools required

Installation Notes

Install this product according to the installation instructions.

Select the type of fastener based upon the wall material. Two 250 lb (113.4 kg) minimum load bearing fasteners are recommended.

