



Tone™ | K-33624-9

Touchless bathroom sink faucet, 1.2 gpm

Features

- Touchless on/off with a wave of your hand
- Response® technology uses a state-of-the-art motion sensor for reliable touchless activation
- Powered by six AA batteries (included)
- KOHLER® ceramic disc valves exceed industry longevity standards for a lifetime of durable performance
- 1.2 gpm (4.5 lpm) maximum flow rate at 60 psi (4.14 bar)
- Aerated flow
- Box includes: Assembled faucet, supply lines, escutcheon plate, clicker drain, six AA batteries
- Clicker drain with tailpiece and overflow
- This product can help a building earn Water Efficiency points in LEED® Green Building Rating System



Sustainability



Available Colors/Finishes

Color tiles intended for reference only.

- CP Polished Chrome
- BN Vibrant Brushed Nickel
- BL Matte Black
- 2MB Vibrant Brushed Moderne Brass



1-800-4KOHLER (1-800-456-4537)
Kohler Co. reserves the right to make revisions without notice to product specifications.
For the most current specification sheet, go to www.kohler.com USA or www.kohler.ca Canada.
5-29-2026 7:6 - US-CA

THE BOLD LOOK
OF **KOHLER**®

Codes/Standards



ASME A112.18.1/CSA B125.1
NSF/ANSI/CAN 372
NSF/ANSI/CAN 61
DOE - Energy Policy Act 1992
EPA WaterSense®
California Energy Commission (CEC)

Technical Information

All product dimensions are nominal.

Handle

Handle Style/ Type: Knob

Spout

Spout Reach: 5-1/2" (139 mm)

Drain With Overflow: Yes

Flow Rate

Faucet Flow Rate: 1.2 gpm (4.5 l/min)

Valves

Included Valve: Ceramic disc

Material

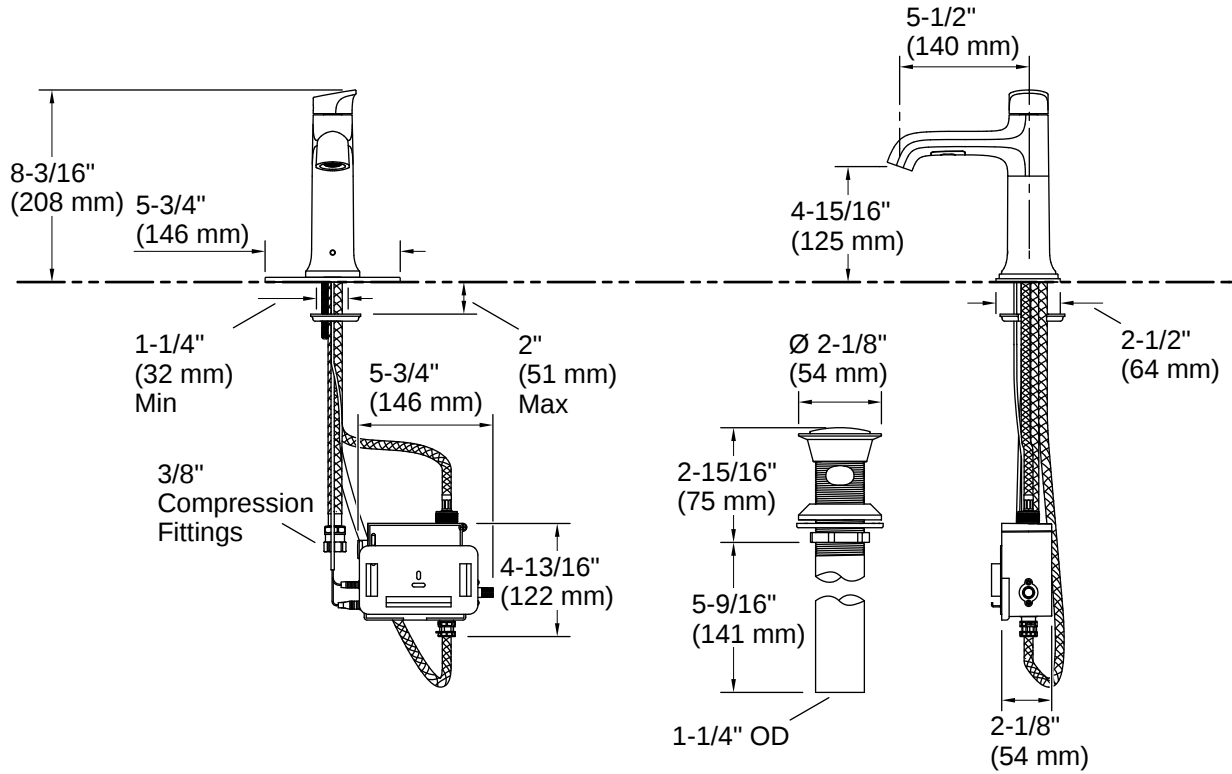
- Premium material construction for durability and reliability
 - KOHLER finishes resist corrosion and tarnishing
-

Warranty

See website for detailed warranty information.

KOHLER® Electronic Faucets, Valves, and Controls Five-Year Limited
Warranty





Installation

- For single-hole or 4" (102 mm) centers
- Simplified faucet installation; mounting hardware requires no special tools

Installation Notes

Install this product according to the installation instructions.

