



Anti-Siphon Freezeless Yard Hydrants Model Y95

Woodford Model Y95 lawn hydrants are installed flush with surrounding surfaces. This brass box enclosed hydrant is intended for irrigation purposes on golf courses, in parks and recreation areas, shopping center malls, and landscaped areas around buildings.

SPECIFICATIONS: MODEL 50HF BACKFLOW PREVENTER - *Patent Pending*

- ASSE 1052 Approved
- Listed by IAPMO
- Field Testable
- Two Independent Check Valves
- Drains automatically when hose is removed
- No spray back

FEATURES:

TAMPER PROOF - The hinged door lock uses the same tee key that operates hydrant to prevent unauthorized use.

ONE PIECE VARIABLE FLOW PLUNGER - Large cushion type seal for longer life - is not easily damaged and assures shut-off even when foreign particles are present. Automatic drain feature - plunger opens drain to prevent freezing when hose is removed.

VALVE SEAT - Permanent type brass valve body with hemispherical seating surface.

PACKING - EPDM rubber with adjustable packing nut.

BOX - Deep box, brass casting with 1/4" NPS drain hole.

FINISH - Brass box, door and head casting.

FEMALE INLET - 3/4" N.P.T

DRAIN HOLE - 1/8" N.P.T.

CASING - 1" galvanized steel pipe

Optional - 1" brass pipe

Optional - 1" Stainless steel pipe

OPERATING ROD - 3/8" Stainless steel pipe

Optional - 3/8" brass pipe

MAX PRESSURE - 125 p.s.i.

MAX TEMPERATURE - 120° F

SHIPPING WEIGHT -

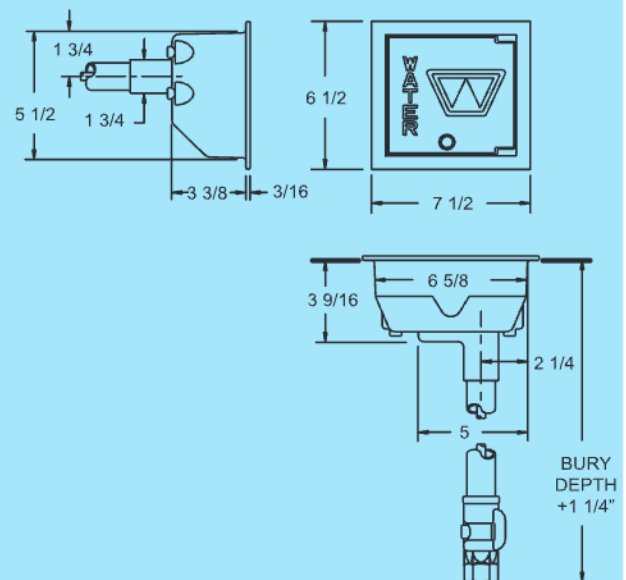
Bury Depth (ft)	1	2	3	4	5	6	7
Weight (lbs)	14	16	18	21	23	26	28

**For Installation / Troubleshooting Instructions go to
www.woodfordmfg.com or call 1-800-621-6032**

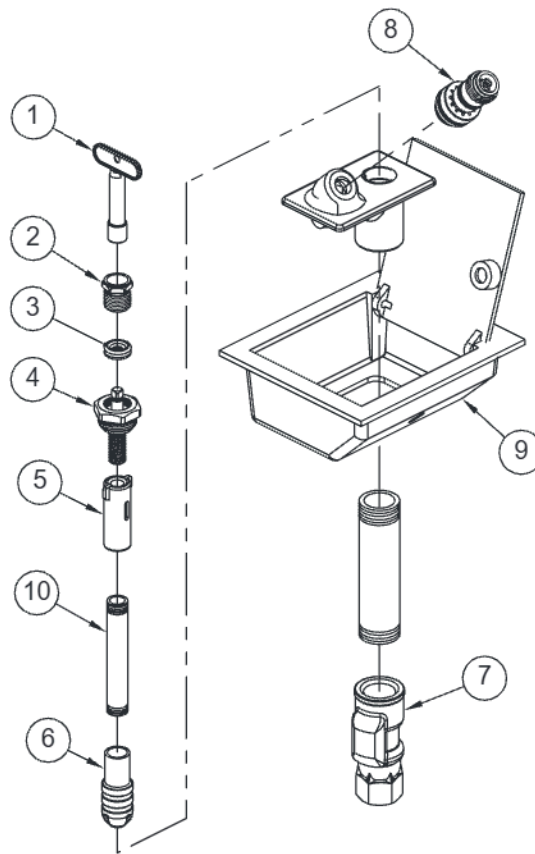
Backflow Preventer replacement is recommended every 3-5 years.



Rough-In Dimensions



When ordering, specify model number, length and finish.



MODEL Y95 PARTS LIST

ITEM	PART#	DESCRIPTION
1	50010	Tee Key
2	30107	Packing Nut
3	30247	EPDM Packing
4	55176	Head Nut Assembly
5	10109	Yoke Nut
6	10105	Plunger
7	10018	Valve Body
8	50HF-BR	50HF Vacuum Breaker-Brass
9	55020	Box Assembly
10		3/8" OPERATING PIPE (Bury Depth & Length)
	10031	1' Bury (4-1/8" long)
	10032	2' Bury (16-1/8" long)
	10033	3' Bury (28-1/8" long)
	10034	4' Bury (40-1/8" long)
	10035	5' Bury (52-1/8" long)
	10036	6' Bury (64-1/8" long)
	10037	7' Bury (76-1/8" long)
	RK-Y95	Repair Kit (Includes Items 1-6)

For more information contact...

WOODFORD MANUFACTURING COMPANY, LLC

2121 Waynoka Road, Colorado Springs, Colorado 80915 • Phone: (800) 621-6032

To view our complete product line visit: www.woodfordmfg.com or email: sales@woodfordmfg.com