



Buckley™ | K-35935

Wall-mount bath spout with diverter

Features

- 5-1/16" (129 mm) diverter bath spout with slip-fit connection
- Coordinates with other products in the Buckley collection



Available Colors/Finishes

Color tiles intended for reference only.

- CP Polished Chrome
- BN Vibrant Brushed Nickel
- BL Matte Black



1-800-4KOHLER (1-800-456-4537)
Kohler Co. reserves the right to make revisions without notice to product specifications.
For the most current specification sheet, go to www.kohler.com USA or www.kohler.ca Canada.
5-12-2026 20:31 - US-CA

THE BOLD LOOK
OF **KOHLER**

Codes/Standards

ASME A112.18.1/CSA B125.1
California Energy Commission (CEC)

Technical Information

All product dimensions are nominal.

Spout

Spout Reach: 5-1/16" (128 mm)

Material

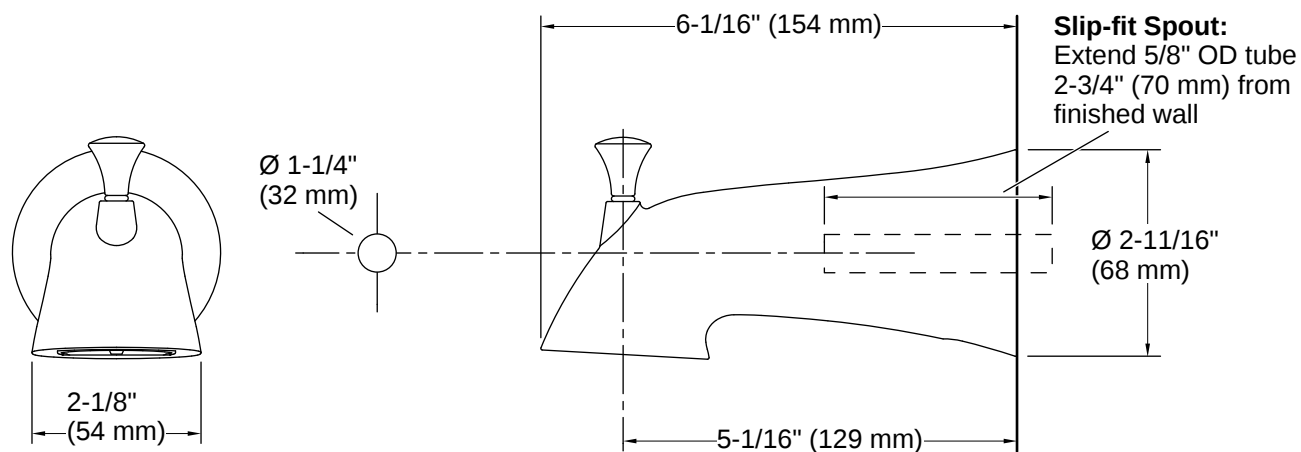
- Premium metal construction for durability and reliability
 - KOHLER finishes resist corrosion and tarnishing
-

Warranty

See website for detailed warranty information.

KOHLER® Faucet Lifetime Limited Warranty





Installation

- Wall-mount

Installation Notes

Install this product according to the installation instructions.

