



# Vox® | K-2749-1

35-1/2" rectangular vessel bathroom sink

## Features

- Single faucet hole
- Overflow drain
- 35-7/16" (900 mm) x 20-1/2" (520 mm)
- Rectangular basin with a contemporary design



## Available Colors/Finishes

*Color tiles intended for reference only.*

- 0 White
- 96 Biscuit
- 7 Black Black



1-800-4KOHLER (1-800-456-4537)  
Kohler Co. reserves the right to make revisions without notice to product specifications.  
For the most current specification sheet, go to [www.kohler.com](http://www.kohler.com) USA or [www.kohler.ca](http://www.kohler.ca) Canada.  
5-12-2026 19:51 - US-CA

THE BOLD LOOK  
OF **KOHLER**®

## Codes/Standards

ADA, CSA B651 compliant when installed to the specific requirements of these regulations.

ADA CSA B651

ASME A112.19.2/CSA B45.1  
ADA  
ICC/ANSI A117.1  
CSA B651

## Technical Information

Number of Deck Holes:	1
With Overflow:	Yes
Drain Hole Diameter:	1-3/4" (45 mm)
Minimum Base Cabinet Width:	36" (914 mm)
Basin Configuration:	Single Bowl
Basin Length:	34-11/16" (881 mm)
Basin Width:	14-3/16" (361 mm)
Basin Depth:	5-11/16" (145 mm)

## Material

- Vitreous china

## Recommended Products/Accessories

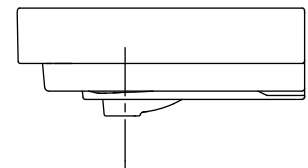
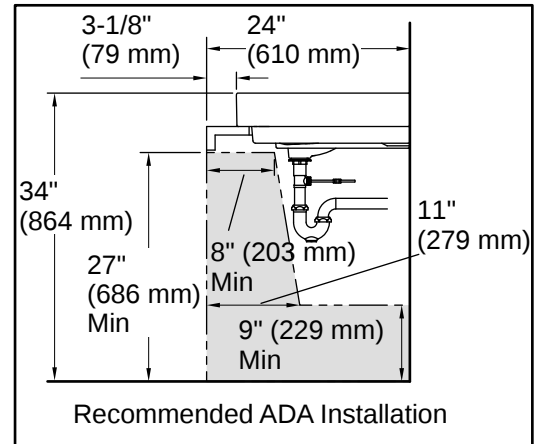
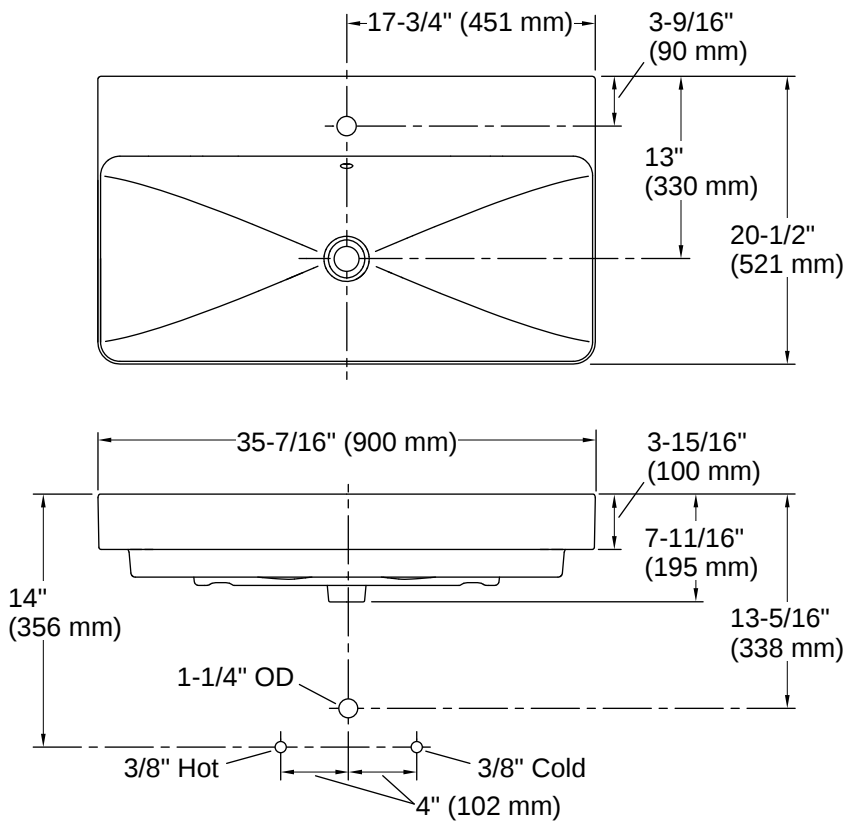
K-23726 Drain treatment  
K-23725 Cast iron cleaner

## Warranty

See website for detailed warranty information.

KOHLER® Vitreous China Bathroom Sink Lifetime Limited Warranty





## Installation

- Vessel

## Installation Notes

*Install this product according to the installation instructions.*

Choose a faucet that will provide adequate clearance and will direct the water stream to the center of the bathroom sink.

Countertop manufacturer or cutter must use the cut-out template provided with the product, or a current one provided by Kohler Co. (call 1-800-4KOHLER). Kohler Co. is not responsible for cut-out errors when the incorrect cut-out template is used.

Product rests on countertop. Consider height when designing installation.

Product dimensions are nominal and may vary per ASME A112.19.2 tolerances.

ADA, CSA B651 compliant when installed to the specific requirements of these regulations.

