



Vox® | K-2660-1

23" rectangular vessel bathroom sink






Features

- Single faucet hole
- Rectangular basin with a contemporary design
- With overflow
- 23" (584 mm) x 18-1/8" (460 mm)



Available Colors/Finishes

Color tiles intended for reference only.

- | | | |
|---|----|-------------|
|  | 0 | White |
|  | 96 | Biscuit |
|  | 7 | Black Black |
|  | 17 | Teal |
|  | 42 | Aspen Green |



1-800-4KOHLER (1-800-456-4537)
Kohler Co. reserves the right to make revisions without notice to product specifications.
For the most current specification sheet, go to www.kohler.com USA or www.kohler.ca Canada.
5-12-2026 19:45 - US-CA

THE BOLD LOOK
OF **KOHLER**

Codes/Standards

ADA, CSA B651 compliant when installed to the specific requirements of these regulations.

ADA CSA B651

ASME A112.19.2/CSA B45.1
ADA
ICC/ANSI A117.1
CSA B651

Technical Information

| | |
|-----------------------|------------------|
| Number of Deck Holes: | 1 |
| Faucet Hole(s) Size: | 1-3/8" (35 mm) |
| With Overflow: | Yes |
| Drain Hole Diameter: | 1-3/4" (44 mm) |
| Basin Configuration: | Single Bowl |
| Basin Length: | 22" (559 mm) |
| Basin Width: | 13-1/4" (337 mm) |
| Basin Depth: | 5-5/16" (136 mm) |

Material

- Vitreous china

Recommended Products/Accessories

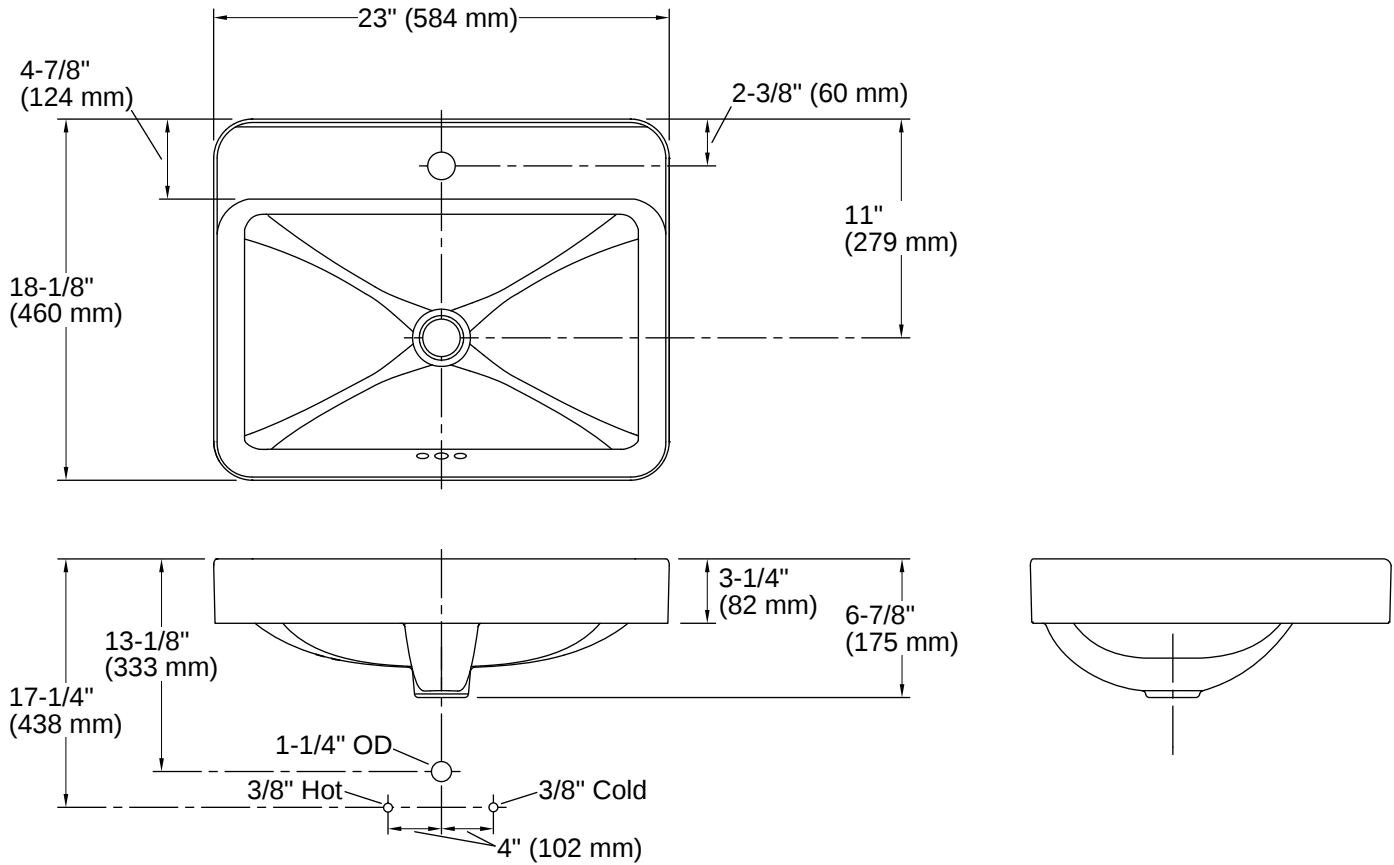
K-23726 Drain treatment

Warranty

See website for detailed warranty information.

KOHLER® Vitreous China Bathroom Sink Lifetime Limited Warranty





Installation

- Vessel

Installation Notes

Install this product according to the installation instructions.

Choose a faucet that will provide adequate clearance and will direct the water stream to the center of the bathroom sink.

NOTICE: Countertop manufacturer or cutter must use the cut-out template provided with the product or a current one provided by Kohler Co. (call 1-800-4KOHLER). Kohler Co. is not responsible for cut-out errors when incorrect cut-out template is used.

Product rests on countertop. Consider height when designing installation.

Product dimensions are nominal and may vary per ASME A112.19.2 tolerances.

ADA, CSA B651 compliant when installed to the specific requirements of these regulations.

