

Rev. 7-19

- Catalog number—
  - A-2362-20** Mechanical joint ends (with accessories unassembled)
  - A-2362-23** Mechanical joint ends (less accessories)
  - A-2362-25** Mechanical joint ends (with transition gaskets accessories unassembled)
- Sizes – 2", 3", 4", 6", 8", 10", 12"
- Meets or exceeds all applicable requirements of ANSI/AWWA C509, UL 262 Listed, FM 1120/1130 Approved, and certified to ANSI/NSF 61 & 372
- Standard mechanical joint ends comply with ANSI/AWWA C111
- Iron body with nominal 10 mils Mueller Pro-Gard® Fusion Bonded Epoxy Coated interior and exterior surfaces
- Epoxy coating meets or exceeds all applicable requirements of ANSI/AWWA C550 Standard
- Iron wedge, symmetrical and fully encapsulated with molded rubber; no exposed iron
- Non-rising stem (NRS)
- Triple O-ring seal (2 above the thrust collar and 1 below)
- 2" square wrench nut – open left or open right
- 350 psig (2400 kPa/24 barg) maximum working pressure; 700 psig (4800 kPa/48 barg) static test pressure
- UL Listed, FM Approved: 350 psig (2400 kPa/24 barg)
- Designed for potable water applications



**A-2362-20 shown**

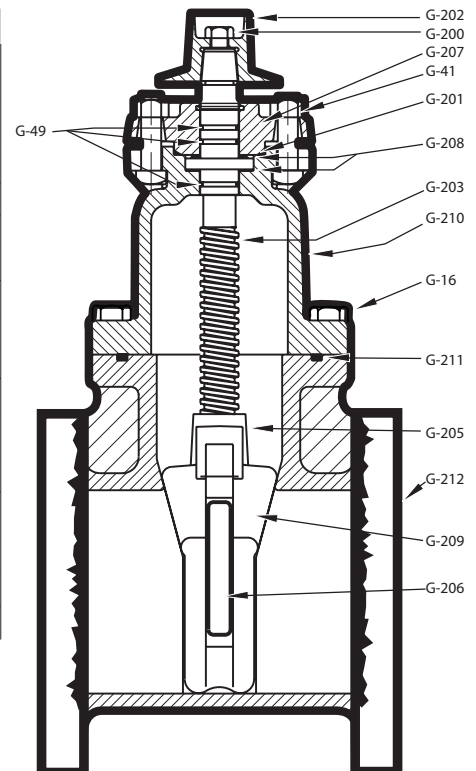
### Options

See page 10.54 for more information on Resilient Wedge Gate Valve options

- Position indicators
- Low zinc, silicon bronze ASTM B98-C66100/H02 stem
- Stainless steel stem: Type 304, Type 316
- Handwheel
- EPDM Disc and o-ring

### Resilient wedge gate valve parts

| Catalog Part Number | Description                   | Material                | Material Standard                   |
|---------------------|-------------------------------|-------------------------|-------------------------------------|
| G-16                | Bonnet Bolts & Nuts           | 316 Stainless Steel     | ASTM F593 (bolt)<br>ASTM F594 (nut) |
| G-41                | Stuffing Box Bolts & Nuts     | 316 Stainless Steel     | ASTM F593 (bolt)<br>ASTM F594 (nut) |
| G-49                | Stem O-rings (3)              | Nitrile                 | ASTM D2000                          |
| G-200               | Wrench Nut Cap Screw          | 316 Stainless Steel     | ASTM F593                           |
| G-201               | Stuffing Box O-ring           | Nitrile                 | ASTM D2000                          |
| G-202               | Wrench Nut                    | Ductile Iron            | ASTM A536 ▼                         |
| G-203               | Stem                          | Bronze                  | ASTM B138                           |
| G-204               | Hand Wheel (not shown)        | Cast Iron +             | ASTM A126 CL.B                      |
| G-205               | Stem Nut                      | Bronze                  | ASTM B584                           |
| G-206               | Guide Cap Bearings            | Acetal                  | -                                   |
| G-207               | Stuffing Box with dirt seal** | Ductile Iron<br>Nitrile | ASTM A536 ▼<br>ASTM D200            |
| G-208               | Anti-friction Washers (2)     | Acetal                  | -                                   |
| G-209               | Wedge, Rubber Encapsulation   | Ductile Iron*<br>SBR    | ASTM A536 ▼<br>ASTM D2000           |
| G-210**             | Bonnet                        | Ductile Iron            | ASTM A536 ▼                         |
| G-211**             | Bonnet O-ring ++              | Nitrile                 | ASTM D2000                          |
| G-212**             | Body                          | Ductile Iron            | ASTMA536 ▼                          |



\*Fully encapsulated in molded rubber with no iron exposed;  
 ▼ Material strength ASTM A536 65-45 minimum  
 + Manufacturer's option to change material to ductile iron ASTM A536  
 ++ 2"-3" valves use a bonnet gasket  
 \*\*Dirt seal on 2 1/2"- 12" valves