

Features

- Soap dispensing volume can be adjusted to 0.8 mL, 1.2 mL, 1.6 mL, or 2.0 mL
- 54 oz (1600 mL) high-capacity soap reservoir
- Optional 27 oz. (800 ml) low-capacity soap reservoir (sold separately)
- Sensor range adjustable from 1" to 4" (25 to 101 mm). Default set at approximately 2-3/4" (69 mm)
- Low soap above-the-counter indicator
- Maintenance/cleaning mode is activated for 30 seconds when sensor is blocked for 10 seconds
- Vandal-resistant sensor delays dispensing for twenty seconds if activated 4 times in under 5 seconds
- Low soap and low battery above-the-counter indicators
- Easy below-the-counter refill
- AC-powered operation—no batteries to replace
- Requires low (1-20 cps or gr/m-s) viscosity foam soap with no suspended particles. Please see Installation Guide or Maintenance and Use Guide for specific soap recommendations
- KOHLER® soap (sold separately) recommended for optimized performance and longevity

Material

- Cast brass construction for durability and reliability

Required Products/Accessories

K-13480-A AC Single Supply

or

K-13481-A Multi-Outlet Power Supply

Recommended Products/Accessories

K-24879 Hollyhock-scented single-use foam soap refill – 800 mL

K-24878 No fragrance/dye single-use foam soap refill – 1600 mL

K-24877 No fragrance/dye single-use foam soap refill – 800 mL

K-24882 No fragrance/dye foam soap refill – five gallons

K-24881 No fragrance/dye foam soap refill – one gallon

Optional Products/Accessories

K-25136 Soap reservoir – 800 mL



ADA

CSA B651

OBC

Codes/Standards

ADA

ICC/ANSI A117.1

CSA B651





OBC

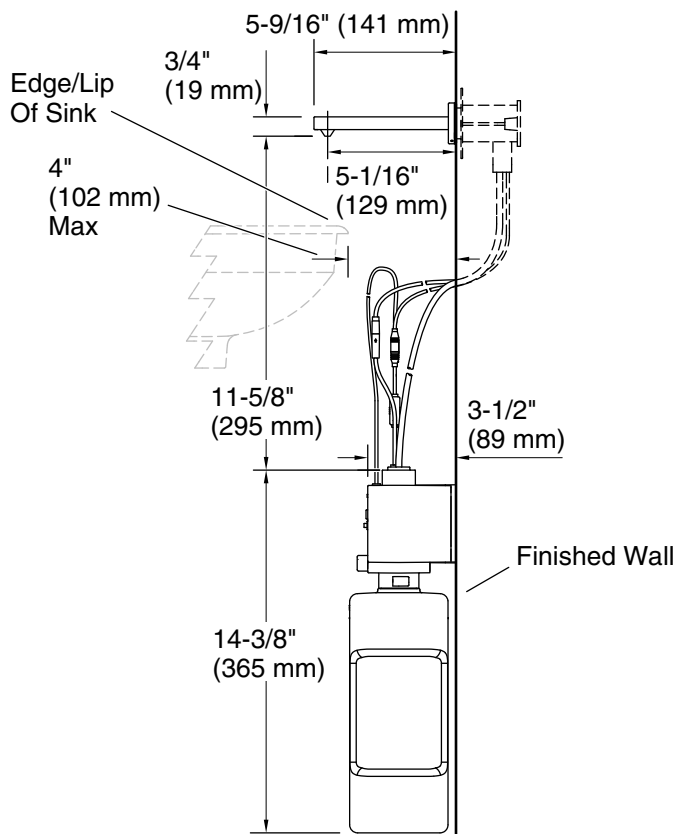
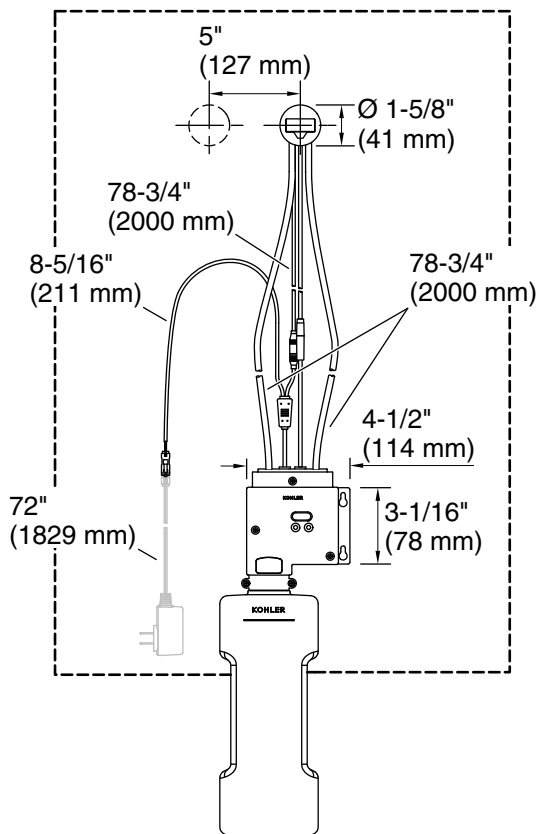
KOHLER® One-Year Limited Warranty

See website for detailed warranty information.

Available Colors/Finishes

Color tiles intended for reference only.

Color	Code	Description
	CP	Polished Chrome
	BN	Vibrant® Brushed Nickel
	BL	Matte Black
	2MB	Vibrant® Brushed Moderne Brass



Required Electrical Service

One dedicated circuit required, protected with Class A Ground-Fault Circuit-Interrupter (GFCI). Outside North America, this device may be known as a Residual Current Device (RCD).

120/240 V, 50/60 Hz

Technical Information

All product dimensions are nominal.

Material: Brass

Notes

Install this product according to the installation instructions.

ADA, OBC, CSA B651 compliant when installed to the specific requirements of these regulations.