

TS6036 – ICON TUB SHOWERS

all dimensions shown in inches

60 x 36 x 73 inches



FEATURES

- Tub Shower
- Smooth wall finish
- Ergonomic backrest
- Ample shelf capacity
- Slip-resistant textured bottom
- Left or right hand drain
- AcrylX® applied acrylic surface
- 5-year limited warranty

OPTIONS

- Factory installed assisted care grab bars
- FHA Reinforcement - For Future Grab Bars
- Full Wall Reinforcement - For Future Grab Bars
- Designer Drain, Waste & Overflow

CODE COMPLIANCE

- HUD/FHA Design Manual Requirement 6 *
- CSA B45.5-11/IAPMO Z124

*When ordered with factory installed reinforcement, product will meet or exceed the minimum coverage area and load requirements of ANSI section 609.8, when grab bars are installed within the reinforced area.

COLOR & TRIM OPTIONS

Stock

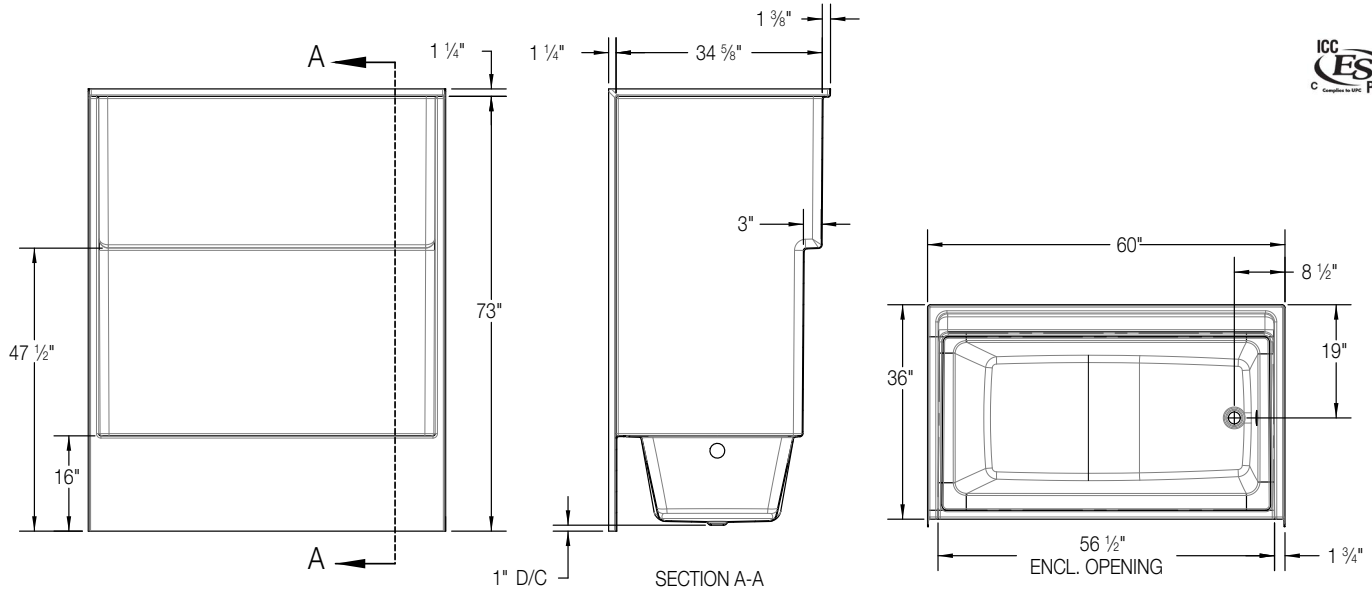
White



Note: Depending on your application, full FHA (Fair Housing Act) compliance may demand additional requirements to be met. Please refer to the FHA design manual for guidance.

TS6036

60 x 36 x 73 inches



FEATURES Dimensional Tolerance $\pm \frac{3}{16}$ ". Dimensions needed for site preparation should be measured from the unit. American Bath Group assumes no responsibility for preparatory work.

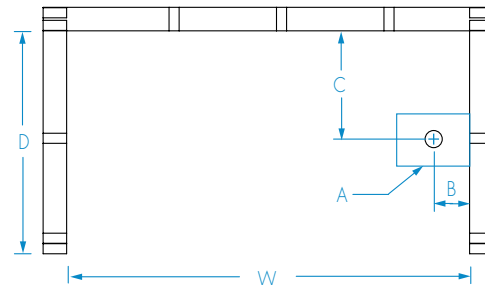
Model #	Material	Wall Finish	Jets	Motor	Controls	Drain	Net Wt.	Pkg. Wt.
Tub Shower #TS6036	AcrylX®	Smooth	-	-	-	LH or RH	140	144

DIMENSIONS

Specifications	inches
Width: Overall / Net	60 / 56 1/2
Depth: Overall / Net	37 1/4 / 36
Height: Overall / Net	74 1/4 / 73
Enclosure Opening	56 1/2
Skirt Height	16
Drain Rough-In (from Back Wall)	19
Drain Rough-In (from Side Wall)	2 3/4
Drain: Diameter / Clearance	2 / 1

FRAMING DIMENSIONS inches

Type	D Depth	W Width	H Height	A	B	C
Alcove	37 1/4	60 1/4	-	Box Out	2 3/4	19



SUMP DATA

Top of Drain to Bottom of Overflow	Capacity to Overflow gal	Min. Operating Capacity gal	WIDTH @ centerline		DEPTH @ centerline	
			Top	Bottom	Top	Bottom
10 5/8	44.1	-	50 5/8	44 7/8	25 3/8	21