



Thru-the-Wall Comfort for all types of Multi-Family Construction

Comfort Pack Condensing Gas Furnace Submittal Data

For Approval

Project:

Purchaser:

Date:

up to 95% AFUE | 12 SEER

Go Thru-the-Wall



National Comfort Products
A Division of National Refrigeration and Air Conditioning Products, Inc.
539 Dunksferry Road • Bensalem, PA 19020-5908
(800) 523-7138 • Fax (215) 639-1674
www.nationalcomfortproducts.com

Gas Heat Models

Plan Designation	Quantity	Model	Description	Page
		CPG41125-U	NCP Comfort Pack Gas R410A 1.0 ton cooling, 25MBH gas input, 208-230/1/60, 94 AFUE/12 SEER	5
		CPG41132-U	NCP Comfort Pack Gas R410A 1.0 ton cooling, 32MBH gas input, 208-230/1/60, 95 AFUE/12 SEER	5
		CPG41725-U	NCP Comfort Pack Gas R410A 1.5 ton cooling, 25MBH gas input, 208-230/1/60, 94 AFUE/12 SEER	5
		CPG41732-U	NCP Comfort Pack Gas R410A 1.5 ton cooling, 32MBH gas input, 208-230/1/60, 95 AFUE/12 SEER	5
		CPG41743-U	NCP Comfort Pack Gas R410A 1.5 ton cooling, 43MBH gas input, 208-230/1/60, 94 AFUE, 12 SEER	5
		CPG41750-U	NCP Comfort Pack Gas R410A 1.5 ton cooling, 50MBH gas input, 208-230/1/60, 93 AFUE, 12 SEER	5
		CPG42325-U	NCP Comfort Pack Gas R410A 2.0 ton cooling, 25MBH gas input, 208-230/1/60, 94 AFUE, 12 SEER	5
		CPG42332-U	NCP Comfort Pack Gas R410A 2.0 ton cooling, 32MBH gas input, 208-230/1/60, 95 AFUE, 12 SEER	5
		CPG42343-U	NCP Comfort Pack Gas R410A 2.0 ton cooling, 43MBH gas input, 208-230/1/60, 94 AFUE, 12 SEER	5
		CPG42350-U	NCP Comfort Pack Gas R410A 2.0 ton cooling, 50MBH gas input, 208-230/1/60, 93 AFUE, 12 SEER	5

Options

Plan Designation	Quantity	Model	Description	Page
		CPWS	Comfort Pack Wall Sleeve	6
		CPSGX-P	Comfort Pack 95% Model Stamped Grille Painted (Attaches to Wall Sleeve Only)	7
		CPLGX-S	Comfort Pack 95% Model Architectural Louver Grille for Sleeve (Attaches to Wall Sleeve Only)	8
		CPLGX-SP	Comfort Pack 95% Model Architectural Louver Grille for Sleeve Painted (Attaches to Wall Sleeve Only)	8
		A	Ornit Stamped Grilles	NA
		B	Slotted Filter Door	4
		C	Combination of both A & B	NA
		14208384	LP Kit for 25K NG Furnace	NA
		14208385	LP Kit for 43K NG Furnace (LP Input 35K)	NA
		14208386	LP Kit for 50K NG Furnace	NA



HEATING & A/C EQUIPMENT

Project:

Up to 95% AFUE | 12 SEER

Performance Data

Model	Nominal Cooling Tons	Cooling Btu	Heating Btu Input	Heating Btu Output	AFUE
CPG41125-U	1	12,000	25,000	23,750	94%
CPG41132-U	1	12,000	32,000	30,400	95%
CPG41725-U	1.5	17,500	25,000	23,750	94%
CPG41732-U	1.5	17,500	32,000	30,400	95%
CPG41743-U	1.5	17,500	43,000	40,850	94%
CPG41750-U	1.5	17,500	50,000	47,500	93%
CPG42325-U	2	22,000	25,000	23,750	94%
CPG42332-U	2	22,000	32,000	30,400	95%
CPG42343-U	2	22,000	43,000	40,800	94%
CPG42350-U	2	22,000	50,000	47,500	93%

Electrical Data

Model	Voltage	Compressor		Outdoor Fan Motor			Indoor Blower Motor		Total Amps	Minimum Circuit Amps	Maximum Overcurrent Protector
		RLA	LRA	HP	FLA	LRA	HP	FLA			
CPG41125-U***	208-230/60/1	4.7	29.5	1/4	2.4	-	1/3	3.0	10.1	11.3	15
CPG41132-U***	208-230/60/1	4.7	29.5	1/4	2.4	-	1/3	3.0	10.1	11.3	15
CPG41725-U***	208-230/60/1	6.5	37.5	1/4	1.8	3.6	1/3	3.0	11.3	13	15
CPG41732-U***	208-230/60/1	6.5	37.5	1/4	1.8	3.6	1/3	3.0	11.3	13	15
CPG41743-U***	208-230/60/1	6.5	37.5	1/4	1.8	3.6	1/3	3.0	11.3	13	15
CPG41750-U***	208-230/60/1	6.5	37.5	1/4	1.8	3.6	1/3	3.0	11.3	13	15
CPG42325-U***	208-230/60/1	8.4	37	1/4	2.4	-	1/2	3.9	14.7	16.8	25
CPG42332-U***	208-230/60/1	8.4	37	1/4	2.4	-	1/2	3.9	14.7	16.8	25
CPG42343-U***	208-230/60/1	8.4	37	1/4	2.4	-	1/2	3.9	14.7	16.8	25
CPG42350-U***	208-230/60/1	8.4	37	1/4	2.4	-	1/2	3.9	14.7	16.8	25

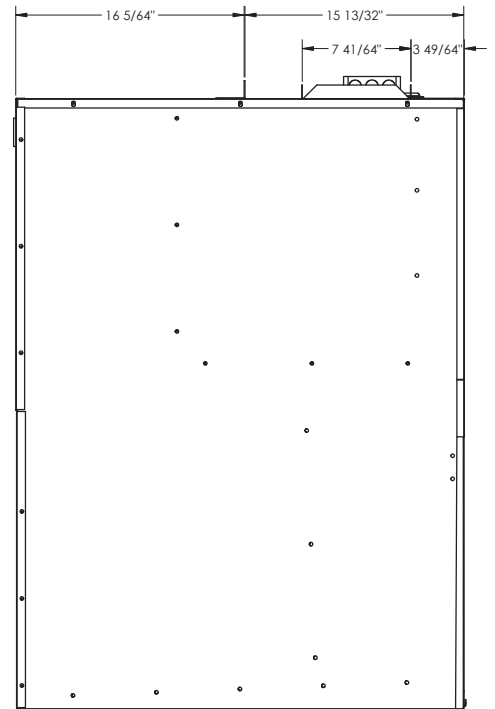
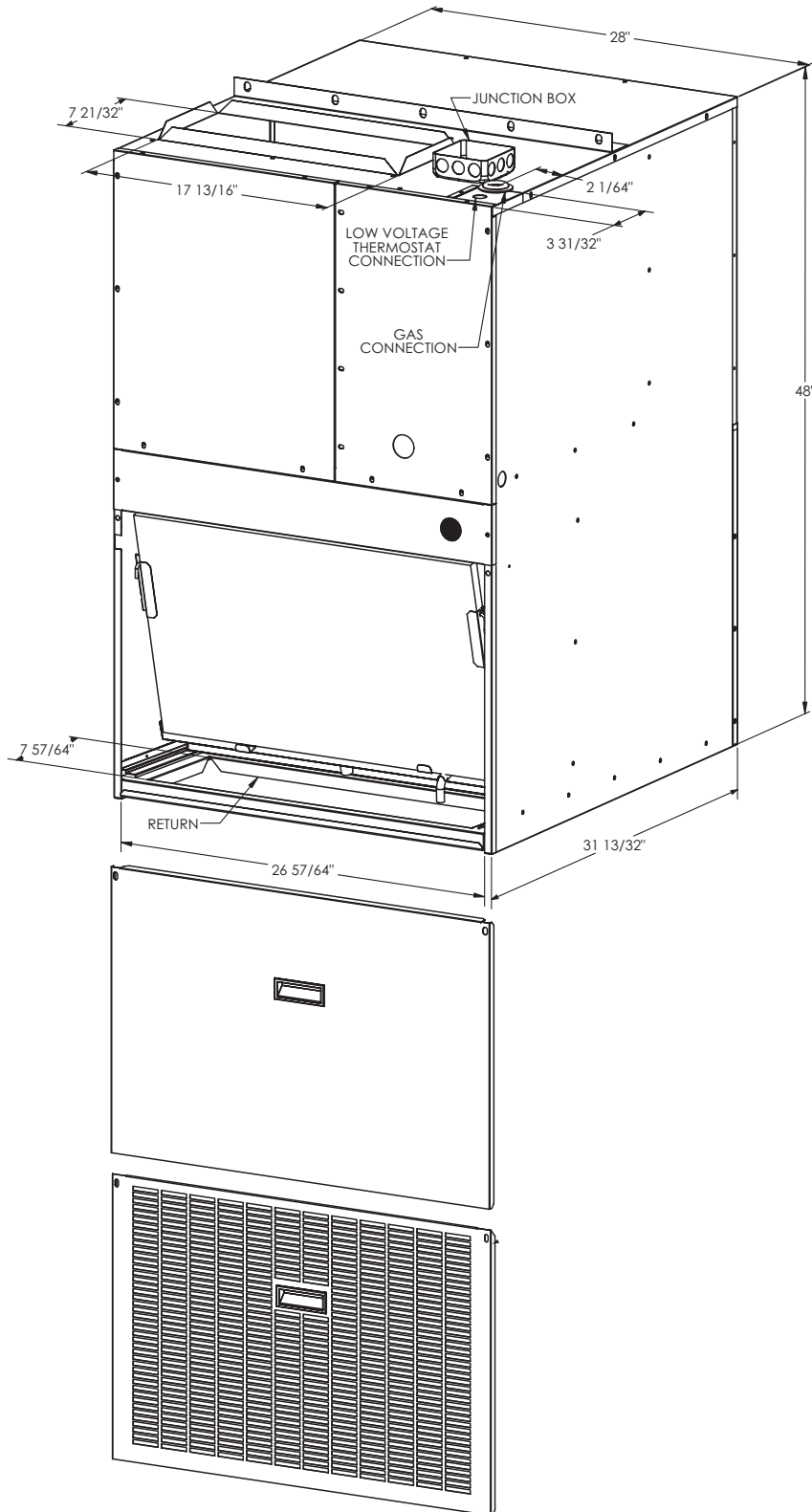
All specifications are subject to change without notice.

Project:

Comfort Pack Gas 95% Air Flow Data						
Model	Color	Speed Tap	ESP (in. wc) / CFM			
			0.1	0.2	0.3	0.4
CPG411	Red	1	800	764	730	686
	Yellow	2	710	668	630	575
	Blue	3	585	533	485	419
	Black	4	525	468	415	345
	Orange	5	400	325	250	175
CPG417	Red	1	800	764	730	686
	Yellow	2	710	668	630	575
	Blue	3	585	533	485	419
	Black	4	525	468	415	345
	Orange	5	400	325	250	175
CPG423	Red	1	820	808	795	783
	Yellow	2	725	712	700	685
	Blue	3	610	593	575	561
	Black	4	530	510	490	473
	Orange	5	395	372	350	326

Project:

CPG-Comfort Pack Condensing Gas Furnace



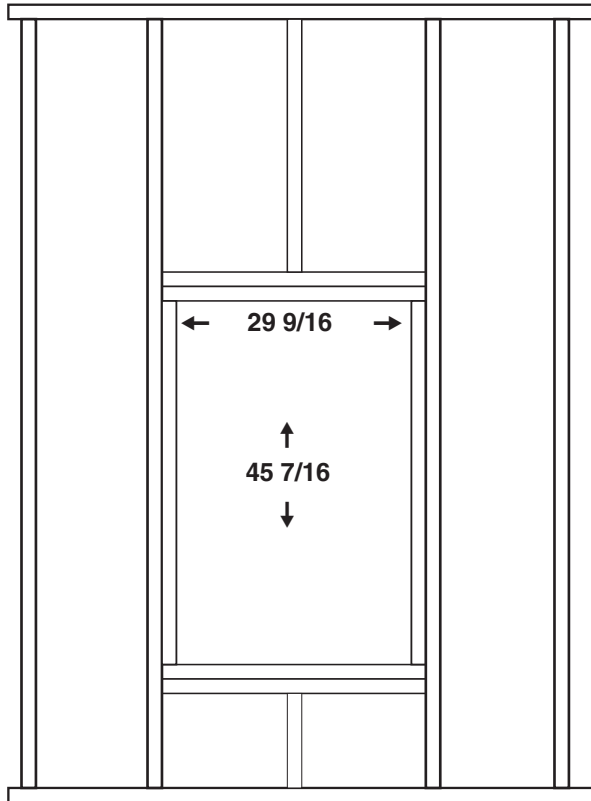
Side view

Project:

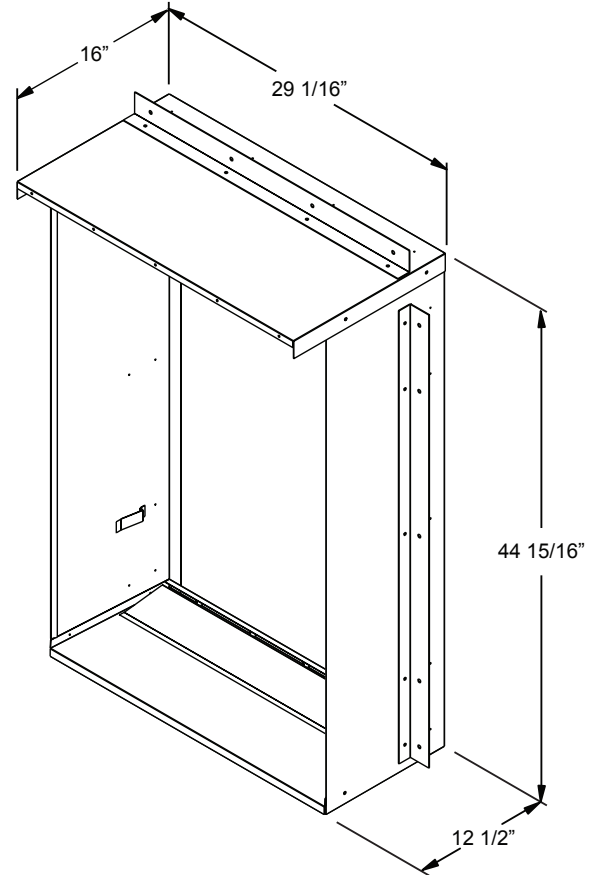
Wall Sleeve

CPWS

Rough In Dimensions



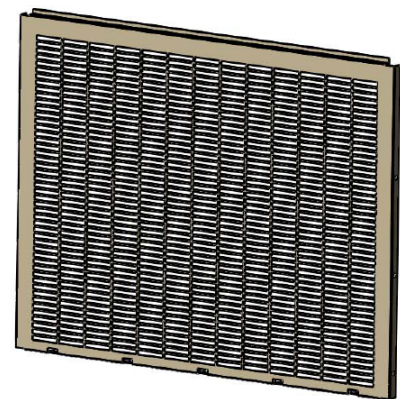
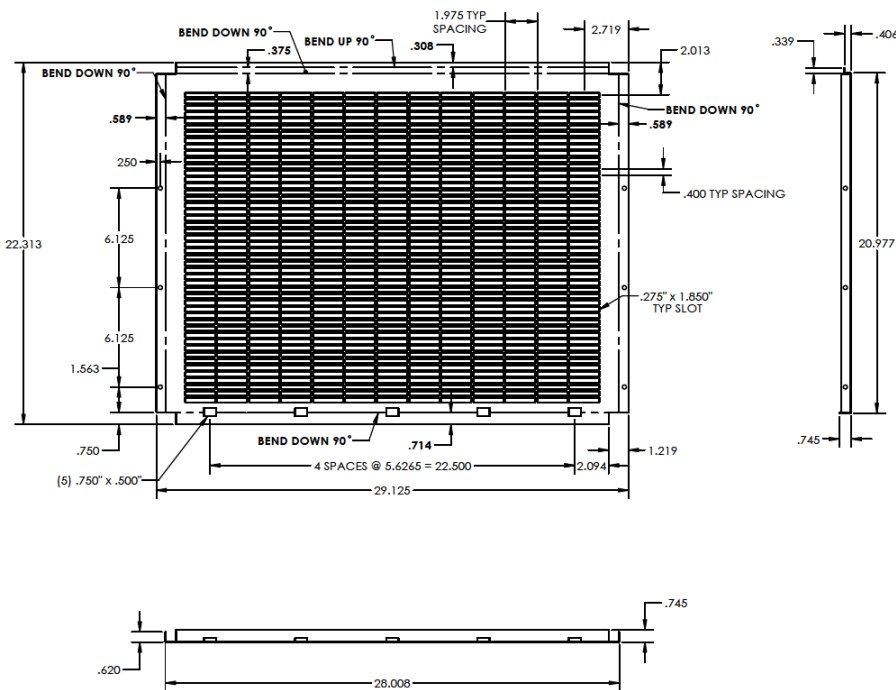
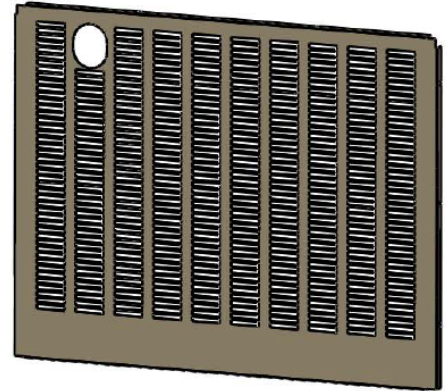
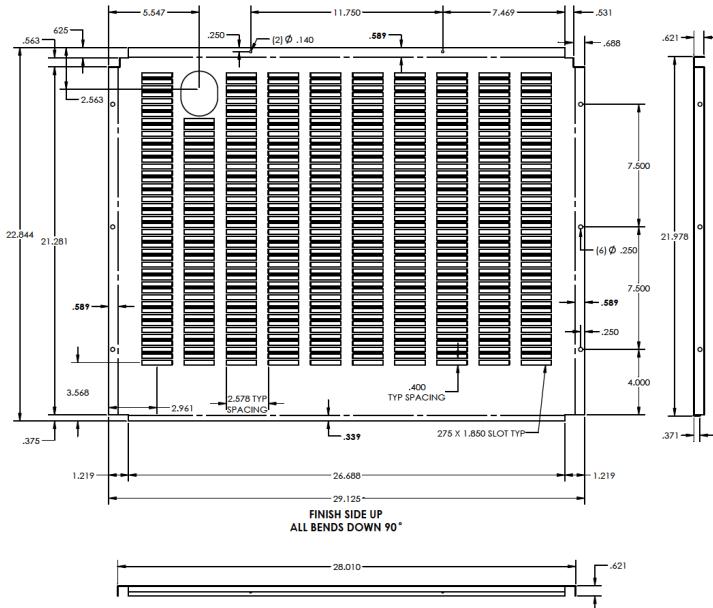
Actual Wall Sleeve Dimensions



Project:

Powder Coated Standard Louver (Sleeve Mounted)

CPSGX-P

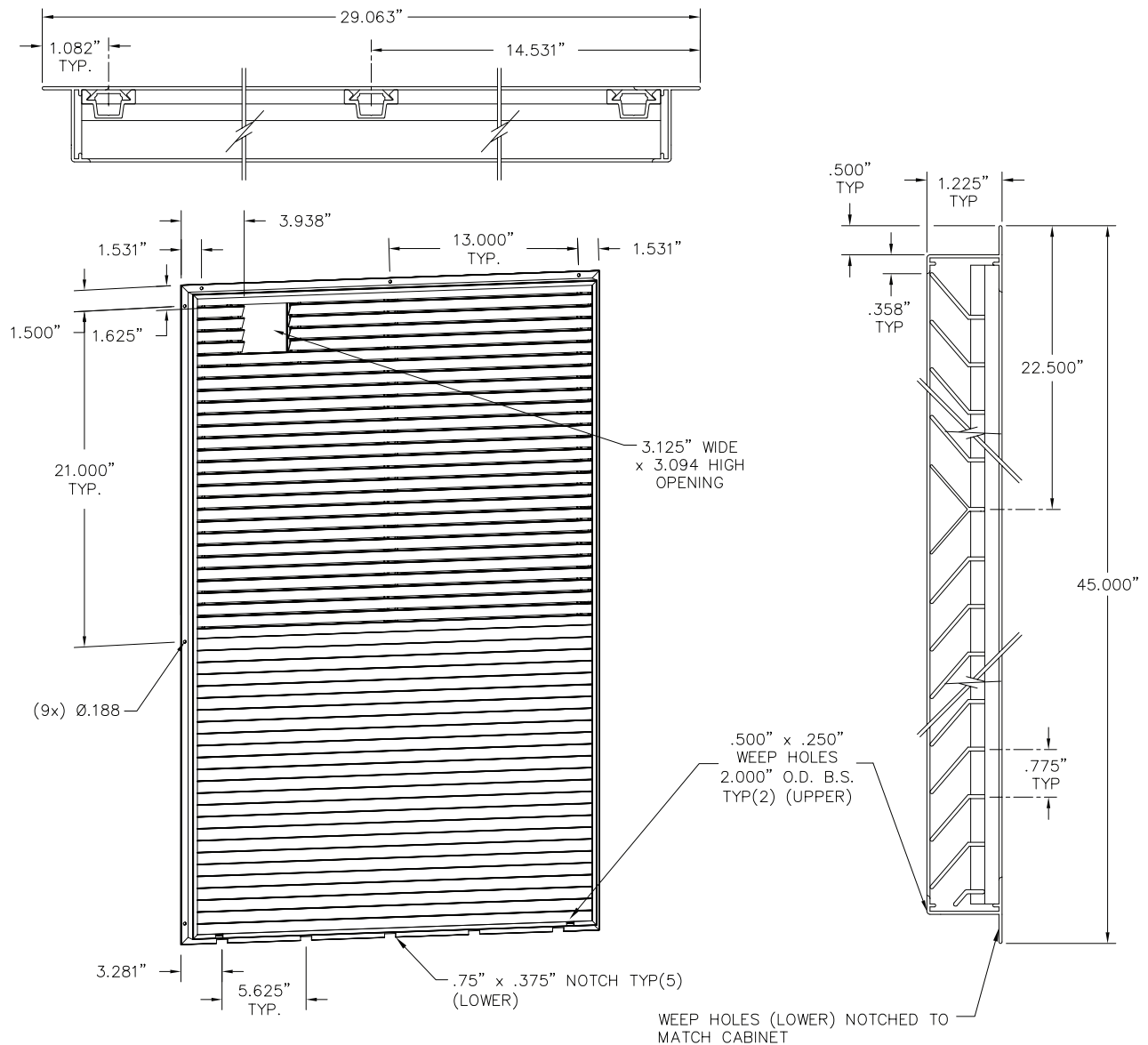


The CPSGX-P version is a powder coated galvanized metal. It mounts to the Wall Sleeve and is recommended to be installed during the installation of the CPWS. (See page 6)

Architectural Louver (Sleeve Mounted)

CPLGX-S (anodized aluminum finish)

CPLGX-SP (painted finish)



The CPLGX-S & CPLGX-SP are Architectural Louvers available in anodized aluminum or a painted baked enamel finish. These Louvers are sleeve mounted and recommended to be installed during the installation of the CPWS. (See page 5)



HEATING & A/C EQUIPMENT

National Comfort Products

A Division of National Refrigeration and Air Conditioning Products, Inc.

539 Dunksferry Road • Bensalem, PA 19020-5908
(800) 523-7138 • Fax (215) 639-1674

www.NationalComfortProducts.com

