



Thru-the-Wall Comfort for all types of Multi-Family Construction

Comfort Pack Non Condensing Gas Furnace Submittal Data

For Approval

Project:

Purchaser:

Date:

80% AFUE | 12 SEER

Go Thru-the-Wall



National Comfort Products
A Division of National Refrigeration and Air Conditioning Products, Inc.
539 Dunksferry Road • Bensalem, PA 19020-5908
(800) 523-7138 • Fax (215) 639-1674
www.nationalcomfortproducts.com

Project:

Gas Heat Models

Plan Designation	Quantity	Model	Description	Page
		CPG41128-U	Comfort Pack R410A 1.0 ton cooling, 28MBH gas input, 208-230/1/60, 80% AFUE/12 SEER	5
		CPG41138-U	Comfort Pack R410A 1.0 ton cooling, 38MBH gas input, 208-230/1/60, 80% AFUE/12 SEER	5
		CPG41728-U	Comfort Pack R410A 1.5 ton cooling, 28MBH gas input, 208-230/1/60, 80% AFUE/12 SEER	5
		CPG41738-U	Comfort Pack R410A 1.5 ton cooling, 38MBH gas input, 208-230/1/60, 80% AFUE/12 SEER	5
		CPG41751-U	Comfort Pack R410A 1.5 ton cooling, 51MBH gas input, 208-230/1/60, 80% AFUE/12 SEER	5
		CPG41764-U	Comfort Pack R410A 1.5 ton cooling, 64MBH gas input, 208-230/1/60, 80% AFUE/12 SEER	5
		CPG42328-U	Comfort Pack R410A 2.0 ton cooling, 28MBH gas input, 208-230/1/60, 80% AFUE/12 SEER	5
		CPG42338-U	Comfort Pack R410A 2.0 ton cooling, 38MBH gas input, 208-230/1/60, 80% AFUE/12 SEER	5
		CPG42351-U	Comfort Pack R410A 2.0 ton cooling, 51MBH gas input, 208-230/1/60, 80% AFUE/12 SEER	5
		CPG42364-U	Comfort Pack R410A 2.0 ton cooling, 64MBH gas input, 208-230/1/60, 80% AFUE/12 SEER	5

Options

Plan Designation	Quantity	Part No.	Description	Page
		CPWS	Comfort Pack Wall Sleeve	6
		CPSG-P	Comfort Pack Stamped Grille Painted	7
		CPLG	Comfort Pack Architectural Louver Grille	8
		CPLG-S	Comfort Pack Architectural Louver Grille for Sleeve (Attaches to Wall Sleeve Only)	9
		CPLG-P	Comfort Pack Architectural Louver Grille Painted (Attaches to Units Only)	8
		CPLG-SP	Comfort Pack Architectural Louver Grille Sleeve Painted (Attaches to Wall Sleeve Only)	9
		A	Omit Stamped Grilles	NA
		B	Slotted Filter Door	5
		C	Combination of both A & B	NA
		14208343	LP Kit (38 MBTU)	NA
		14208344	LP Kit (51 MBTU)	NA
		14208345	LP Kit (64 MBTU)	NA



HEATING & A/C EQUIPMENT

Project:

80% AFUE | 12 SEER

Performance Data

Models	Nominal Cooling Tons	Cooling BTU	Heating BTU Input	Heating BTU Output
CPG41128-U	1	12,000	28,000	22,400
CPG41138-U	1	12,000	38,000	30,400
CPG41728-U	1.5	17,500	28,000	22,400
CPG41738-U	1.5	17,500	38,000	30,400
CPG41751-U	1.5	17,500	51,000	40,800
CPG41764-U	1.5	17,500	64,000	51,200
CPG42328-U	2	22,000	28,000	22,400
CPG42338-U	2	22,000	38,000	30,400
CPG42351-U	2	22,000	51,000	40,800
CPG42364-U	2	22,000	64,000	51,200

Electrical Data

Models	Voltage	Compressor		Outdoor Fan Motor			Indoor Blower Motor		Total Amps	Minimum Circuit Amps	Maximum Overcurrent Protector
		RLA	LRA	HP	FLA	LRA	HP	FLA			
CPG41128-U	208-230/60/1	4.7	29.5	1/4	2.4	-	1/3	3.0	10.1	11.3	15
CPG41138-U	208-230/60/1	4.7	29.5	1/4	2.4	-	1/3	3.0	10.1	11.3	15
CPG41728-U	208-230/60/1	6.5	37.5	1/4	1.8	3.6	1/3	3.0	11.3	13	15
CPG41738-U	208-230/60/1	6.5	37.5	1/4	1.8	3.6	1/3	3.0	11.3	13	15
CPG41751-U	208-230/60/1	6.5	37.5	1/4	1.8	3.6	1/3	3.0	11.3	13	15
CPG41764-U	208-230/60/1	6.5	37.5	1/4	1.8	3.6	1/3	3.0	11.3	13	15
CPG42328-U	208-230/60/1	8.4	37	1/4	2.4	-	1/2	3.9	14.7	16.8	25
CPG42338-U	208-230/60/1	8.4	37	1/4	2.4	-	1/2	3.9	14.7	16.8	25
CPG42351-U	208-230/60/1	8.4	37	1/4	2.4	-	1/2	3.9	14.7	16.8	25
CPG42364-U	208-230/60/1	8.4	37	1/4	2.4	-	1/2	3.9	14.7	16.8	25

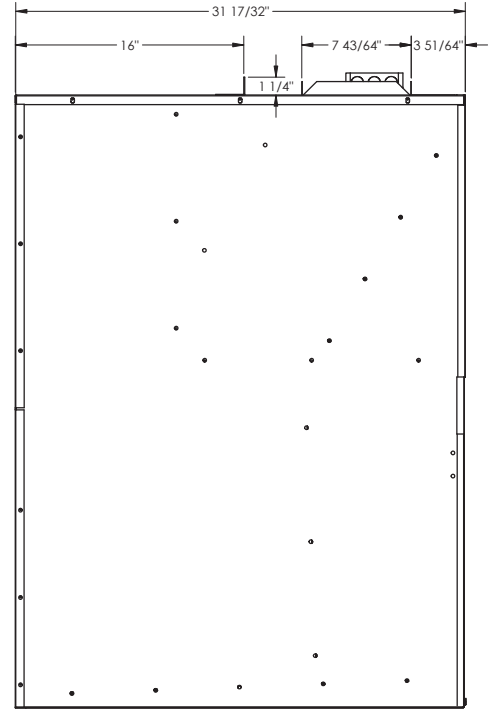
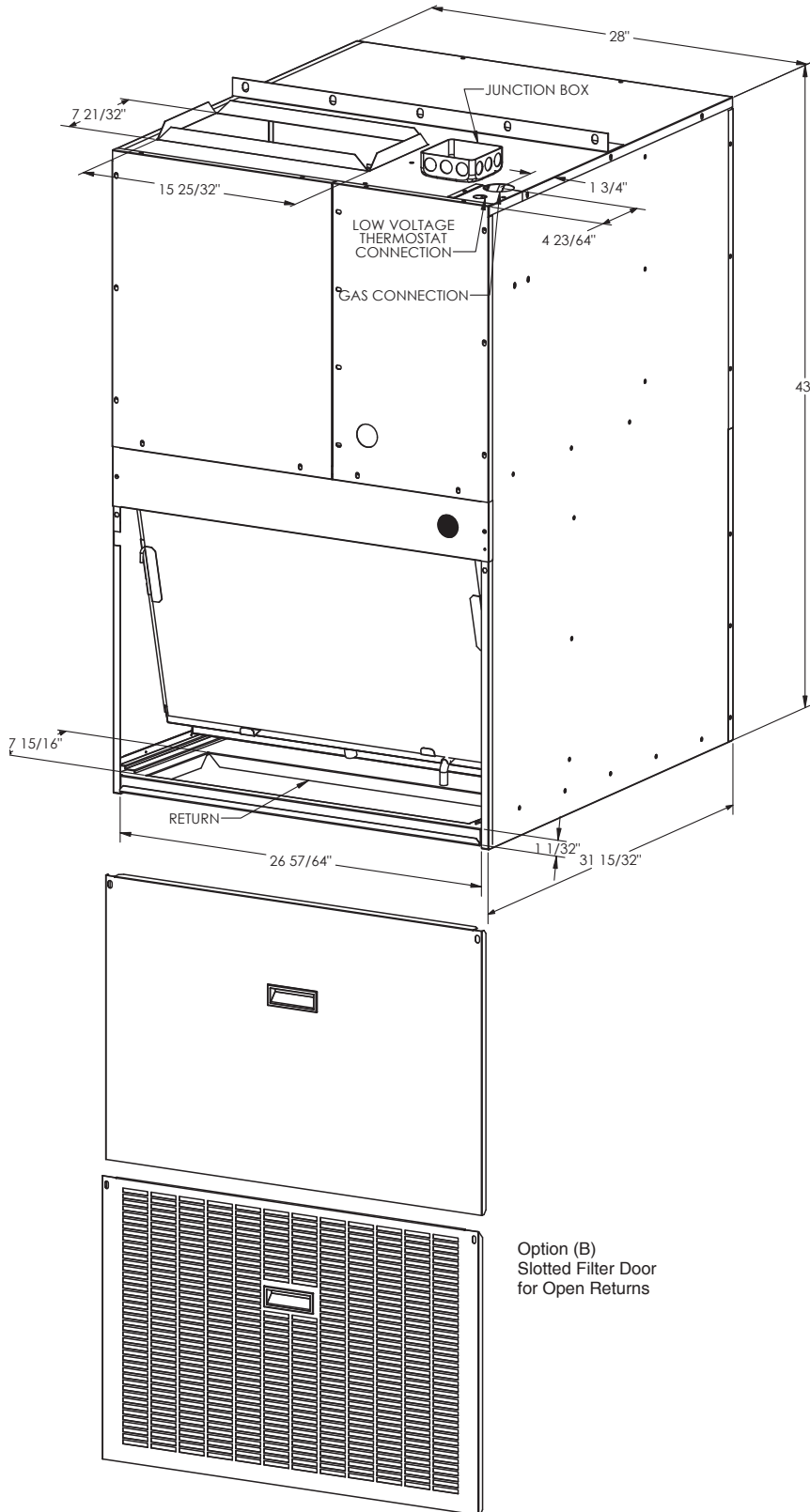
All specifications are subject to change without notice.

Project:

Comfort Pack Non Condensing Gas Furnace Air Flow Data							
Models	Color	Speed Tap	ESP (in. wc) / CFM				
			0.1	0.2	0.3	0.4	0.5
CPG411	Red	1	780	770	760	725	680
	Yellow	2	715	690	660	620	560
	Blue	3	620	580	520	450	380
	Black	4	550	500	430	340	240
	Orange	5	415	325	225	X	X
CPG417	Red	1	780	770	760	725	680
	Yellow	2	715	690	660	620	560
	Blue	3	620	580	520	450	380
	Black	4	550	500	430	340	240
	Orange	5	415	325	225	X	X
CPG423	Red	1	850	833	815	803	790
	Yellow	2	750	730	710	698	685
	Blue	3	635	613	590	576	562
	Black	4	555	533	510	493	475
	Orange	5	405	378	350	328	305

Project:

CPG-Comfort Pack Non Condensing Gas Furnace

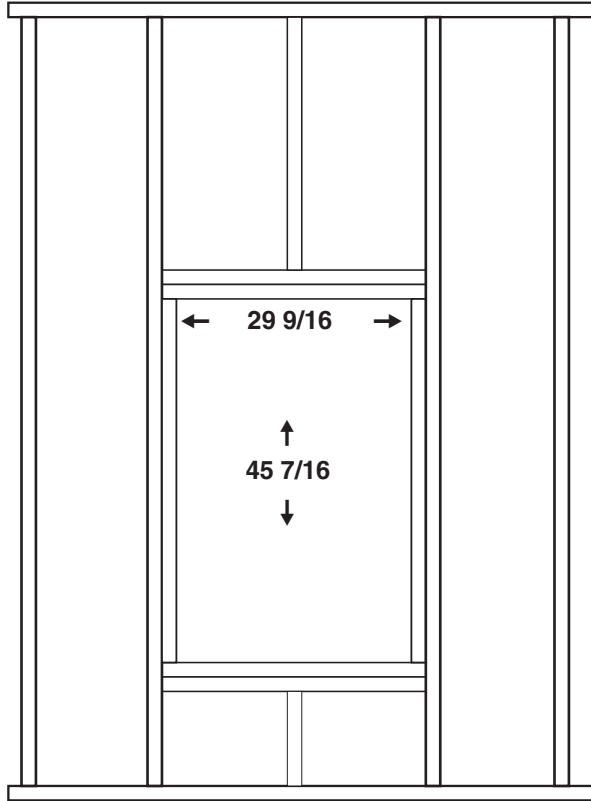


Side view

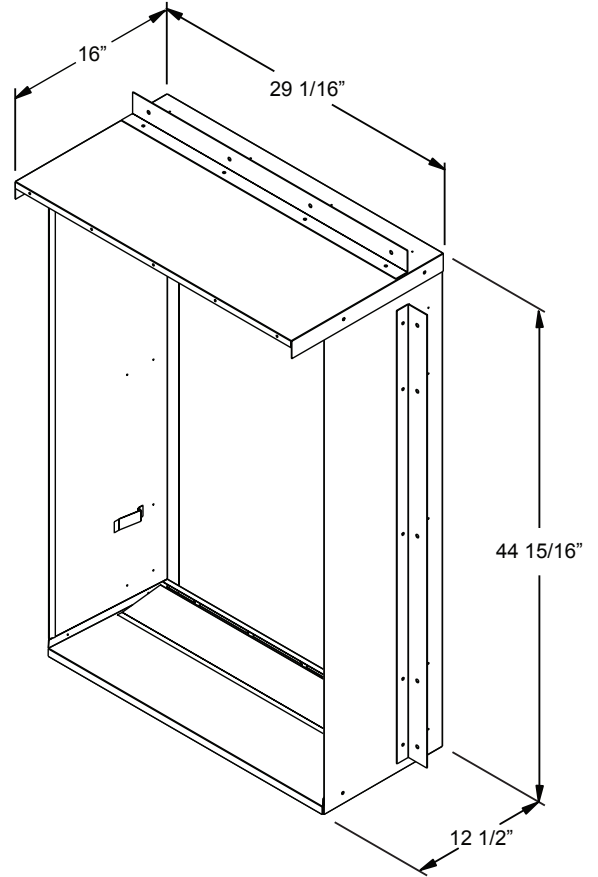
Wall Sleeve

CPWS

Rough In Dimensions



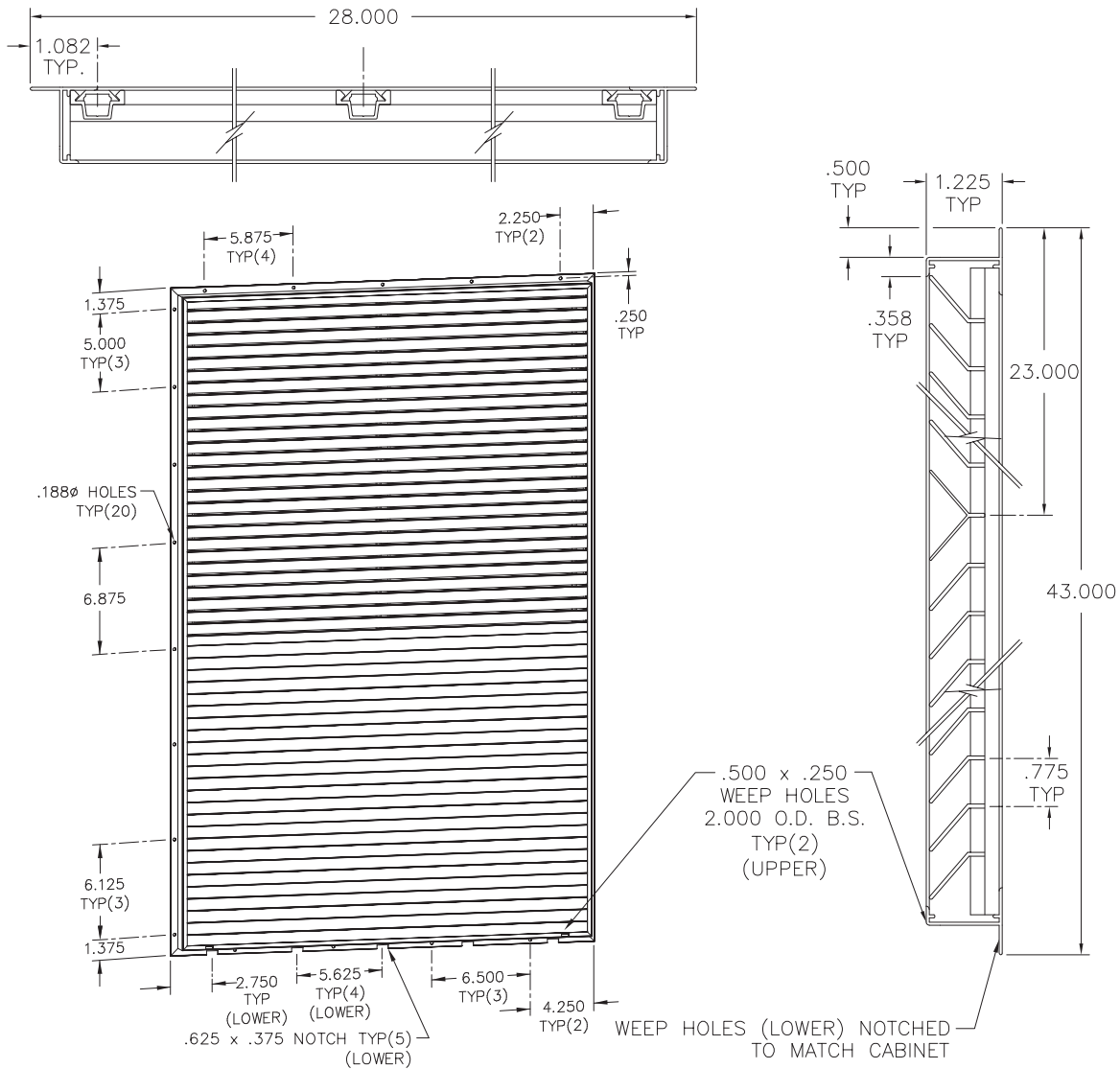
Actual Wall Sleeve Dimensions



Architectural Louver (Unit Mounted)

CPLG (anodized aluminum finish)

CPLG-P (painted finish)



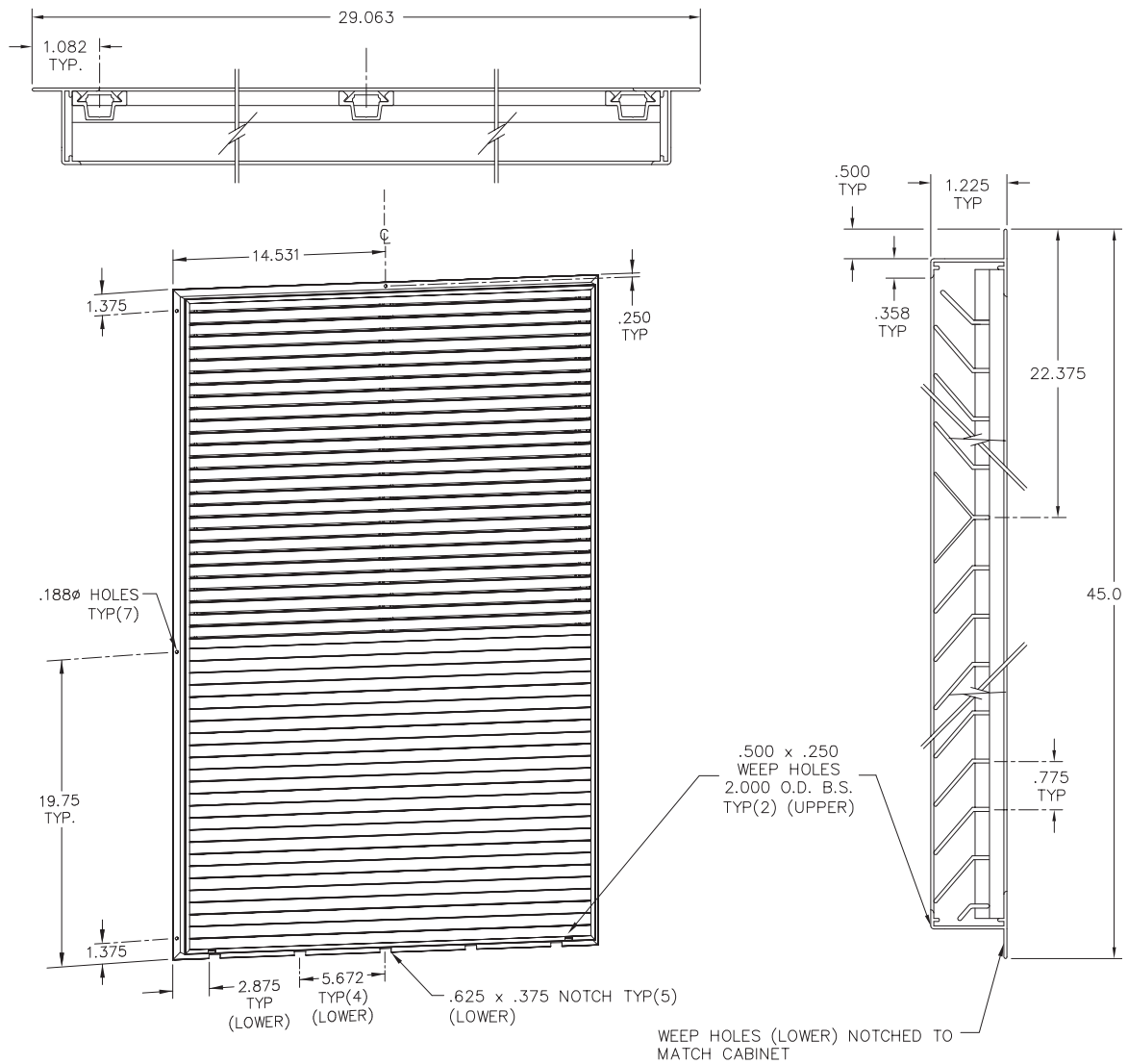
The CPLG & CPLG-P are Architectural Louvers available in anodized aluminum or a painted baked enamel finish. These Louvers are unit mounted.

Project:

Architectural Louver (Sleeve Mounted)

CPLG-S (anodized aluminum finish)

CPLG-SP (painted finish)



The CPLG-S & CPLG-SP are Architectural Louvers available in anodized aluminum or a painted baked enamel finish. These Louvers are sleeve mounted and recommended to be installed during the installation of the CPWS. (See page 6)

NATIONAL[®] COMFORT PRODUCTS

HEATING & A/C EQUIPMENT

National Comfort Products

A Division of National Refrigeration and Air Conditioning Products, Inc.

539 Dunksferry Road • Bensalem, PA 19020-5908
(800) 523-7138 • Fax (215) 639-1674

www.NationalComfortProducts.com

5 YEAR
WARRANTY
ON PARTS

5 YEAR
WARRANTY
COMPRESSOR

10 YEAR
WARRANTY
HEAT EXCHANGER


Intertek
53533

AHRI CERTIFIED[®]
www.ahridirectory.org