



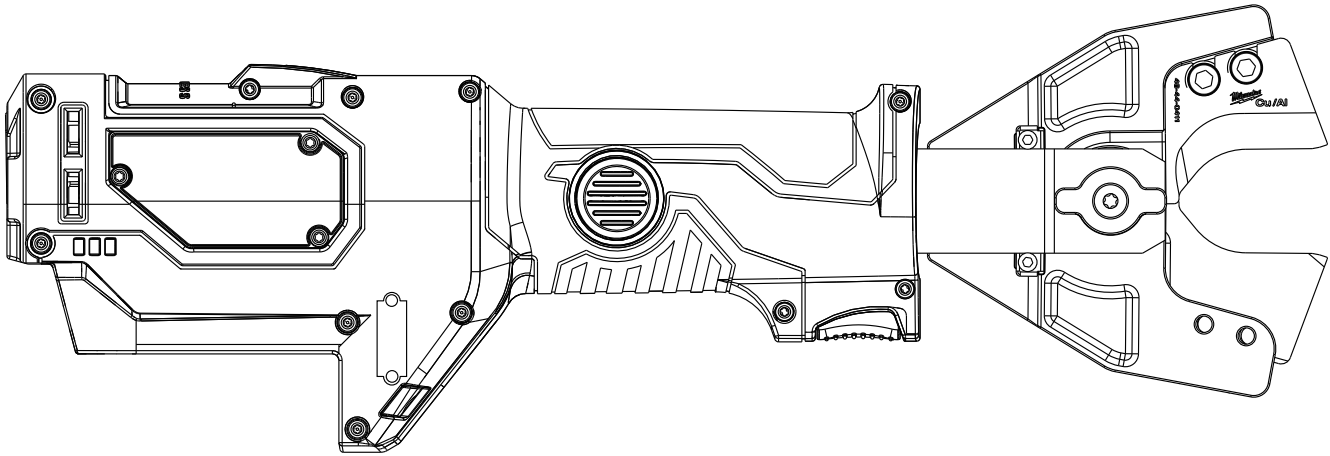
SERVICE PARTS LIST

BULLETIN NO.
54-00-2672

SPECIFY CATALOG NO. AND SERIAL NO. WHEN ORDERING PARTS		REVISED BULLETIN	DATE
M18™ FORCELOGIC™ 6T Cable Cutter			Jan. 2025
CATALOG NUMBER	2672-20	SERIAL NUMBER	G67(A thru D)
		WIRING INSTRUCTION	

CUTTER HEAD SERVICE PARTS	PAGE 2-4
ACCESSORIES	PAGE 2-4

LUBRICATION INSTRUCTIONS	PAGE 5
--------------------------	--------



Only maintenance, service, repairs, and replacements of parts as defined in the Operator's Manual can be performed by the user.

All other repairs are to ONLY be performed by personnel authorized by MILWAUKEE TOOL. Do not attempt to install other parts; this COULD void your tool warranty.

For service, parts, or inquiries, contact us:

- Customer Service at 1.800.SAWDUST (1.800.729.3878)
- E-Service tool repair at: www.milwaukeetool.com/e-service
- Find a local authorized MILWAUKEE service location at Milwaukeetool.com
- Find a MILWAUKEE *factory* Service Center Location or MILWAUKEE *factory* Central Repair Center at Milwaukeetool.com. Send the following, posted paid and insured:
 - Your name, address, and phone number
 - Description of the issues
 - Copy of the proof of purchase
 - Tool, charger, and batteries involved with the issues

MILWAUKEE *factory* Central Repair Centers:

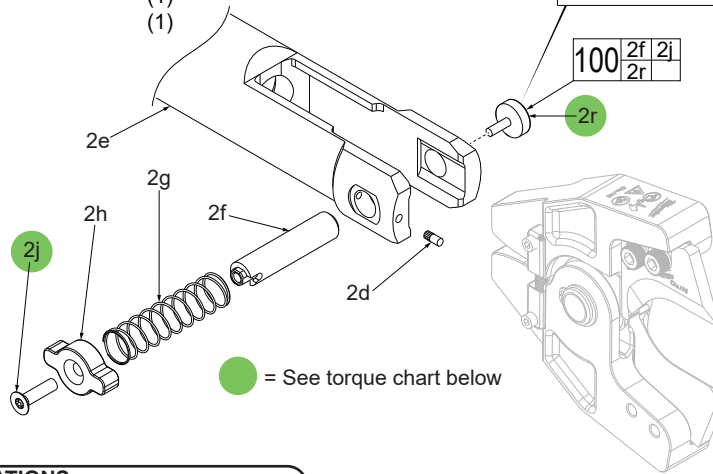
MILWAUKEE TOOL
Central Repair
1401 Sycamore Avenue
Greenwood, MS 38930

MILWAUKEE TOOL
Central Repair
2198 Southtech Drive
Greenwood, IN 46143

Accessories and External Service Parts for 2672-20 6T Cable Cutter

FIG.	PART NO.	DESCRIPTION OF PART	NO. REQ.
2d	-----	Half Knurled Pin	(1)
2e	-----	Clevis	(1)
2f	44-60-0042	Lock Pin	(1)
2g	40-50-0036	Lock Pin Spring	(1)
2h	31-12-0018	Lock Pin Cap	(1)
2j	06-82-0050	Clevis Pin Cap Screw T-25	(1)
2r	06-87-0010	Knurled Thumb Screw	(1)
32	12-20-0044	Service Nameplate (Not Shown)	(1)
40	42-55-0150	Carrying Case (Not Shown)	(1)
	48-22-8278	Bucket Bag, Accessory For 2672-21S (Not Shown)	(1)
41	42-70-0027	Carabiner (Not Shown)	(1)
42	49-96-0012	Hex Key (Not Shown)	(1)
100	44-60-0043	Clevis Pin Upgrade Kit	(1)

NOTE:
Early design of this tool did not have the Knurled Thumb Screw (2r). The Lock Pin (2f) did not have threads on that corresponding end. **Order the Clevis Pin Upgrade Kit (100) 44-60-0043.**



NOTE:
See page 3 for the servicing of Cu/Al Jaw Assembly 49-16-2772 and ACSR Jaw Assembly 49-16-2773.

See page 4 for the servicing of EHS Guy Wire Jaw Assembly 49-16-2777 and Fine Strand Cutting Jaw Assembly 49-16-2778.

TORQUE SPECIFICATIONS

FIG.	PART NO.	PART or WHERE USED	SEAT TORQUE	
			(kgf-cm)	(lb-in)
2j	06-82-0050	Screw, Lock Pin Cap	80±3	69±2
2r	06-87-0010	Knurled Thumb Screw	4±1	3.5

FIG.	PART NO.	DESCRIPTION OF PART	NO. REQ.
1	49-16-2772	Jaw Assembly with Cu/Al Jaws	(1)
1a	-----	Cu/Al Cutter Jaw	(2)
1b	48-44-0411	Cu/Al Replacement Blade (Set)	(1)
1c	05-74-0018	M6 x 1.0 x 14mm Blade Mount Screw	(4)
1d	44-86-0042	Retaining Ring	(2)
1e	-----	Spring Mounting Screw	(4)
1f	-----	Left Spring Cover	(2)
1g	-----	Right Spring Cover	(2)
1h	-----	Outer Spring	(2)
1j	-----	Hollow Pin	(1)
69	14-46-0018	Jaw Spring and Cover Service Kit	(1)

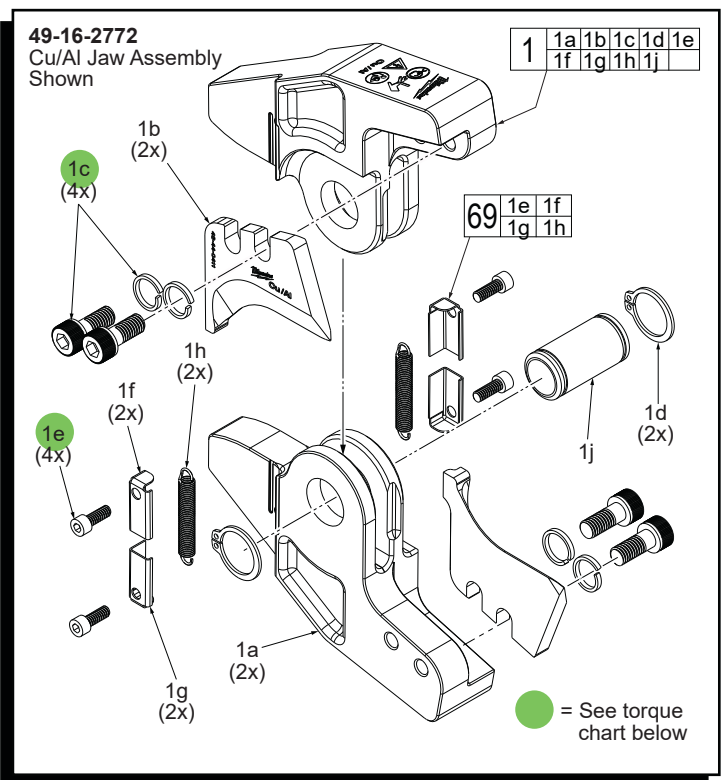
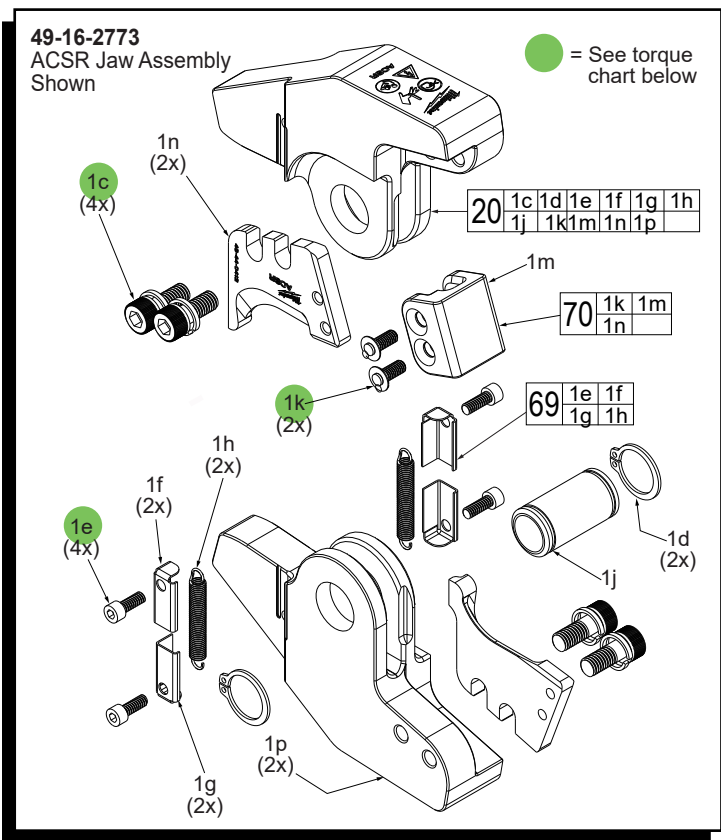


FIG.	PART NO.	DESCRIPTION OF PART	NO. REQ.
20	49-16-2773	Jaw Assembly with ACSR Jaws	(1)
1c	05-74-0018	M6 x 1.0 x 14mm Blade Mount Screw	(4)
1d	44-86-0042	Retaining Ring	(2)
1e	-----	Spring Mounting Screw	(4)
1f	-----	Left Spring Cover	(2)
1g	-----	Right Spring Cover	(2)
1h	-----	Outer Spring	(2)
1j	-----	Hollow Pin	(1)
1k	05-81-1050	Retainer Screw	(2)
1m	44-86-0053	Blade Retainer	(1)
1n	-----	ACSR Blade	(2)
1p	-----	ACSR Cutter Jaw	(2)
69	14-46-0018	Jaw Spring and Cover Service Kit	(1)
70	48-44-0412	ACSR Replacement Blade Kit	(1)



TORQUE SPECIFICATIONS			SEAT TORQUE	
FIG.	PART NO.	PART or WHERE USED	(kgf-cm)	(lb-in)
1c	05-74-0018	Screw, Blade	100±3	70±2
1e	-----	Screw, Jaw Spring Cover	3-5	3
1k	05-81-1050	Screw, Blade Retainer	35±3	30±2

See lubrication instructions on page 5 prior to installing and securing fasteners.

FIG.	PART NO.	DESCRIPTION OF PART	NO. REQ.
1	05-81-0132	M6 x 14mm Pan Hd. T-30 Mach. Screw	(2)
2	-----	Blade Retainer	(1)
3	-----	Guy Wire Jaw	(2)
4	44-86-0042	Retaining Ring	(2)
5	-----	Hollow Pin	(1)
6	-----	Guy Wire Blade	(2)
7	05-74-0001	M6 x 20mm Blade Mount Screw	(4)
8	-----	Spring Mounting Screw	(4)
9	-----	Left Spring Cover	(2)
10	-----	Right Spring Cover	(2)
11	-----	Outer Spring	(2)
69	14-46-0018	Jaw Spring and Cover Service Kit	(1)
70	48-44-2777	EHS Replacement Blade Kit	(1)
71	44-86-2777	Blade Retainer Kit	(1)

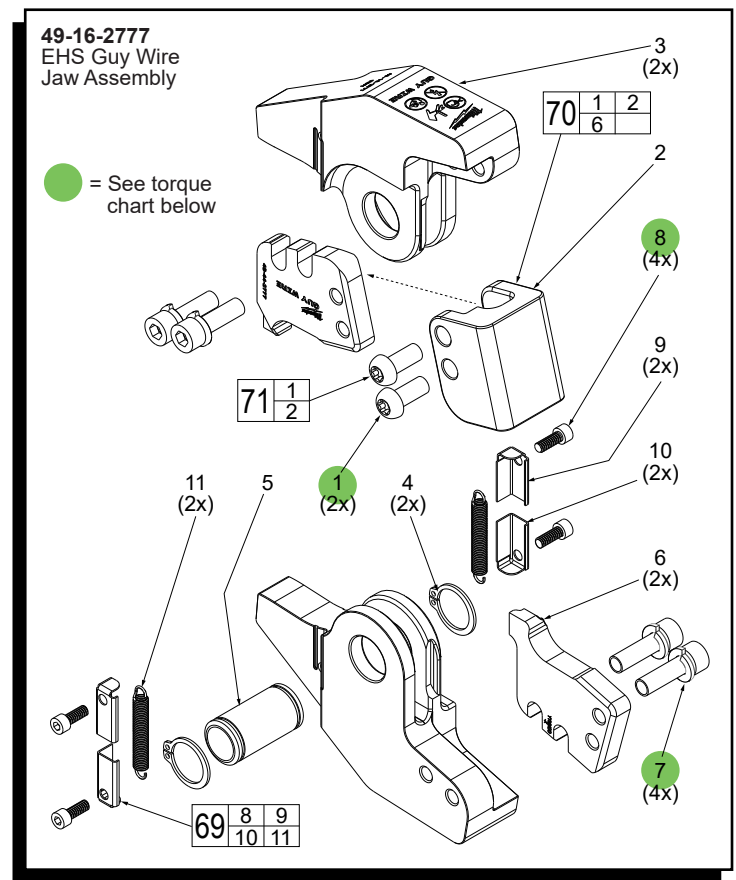
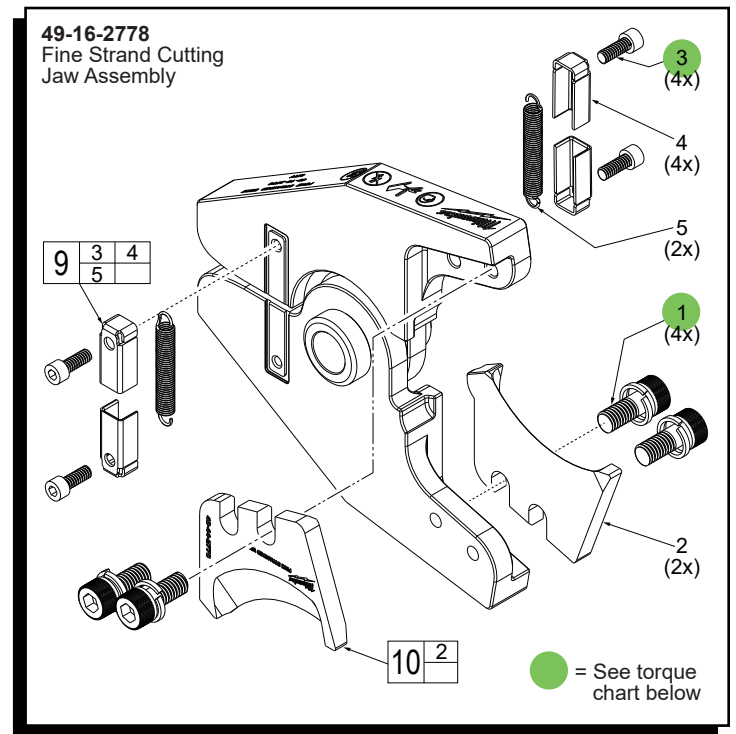


FIG.	PART NO.	DESCRIPTION OF PART	NO. REQ.
1	05-74-0018	M6 x 1.0 Fine Strand Blade Mount Screw	(4)
2	-----	Fine Strand Cutting Blade	(2)
3	-----	#6-32 UNC-3A Machine Screw	(4)
4	-----	Spring Cover	(4)
5	-----	Extension Spring	(2)
9	14-46-0111	Jaw Spring and Cover Service Kit	(1)
10	48-44-2778	Fine Strand Replacement Blade Kit	(1)



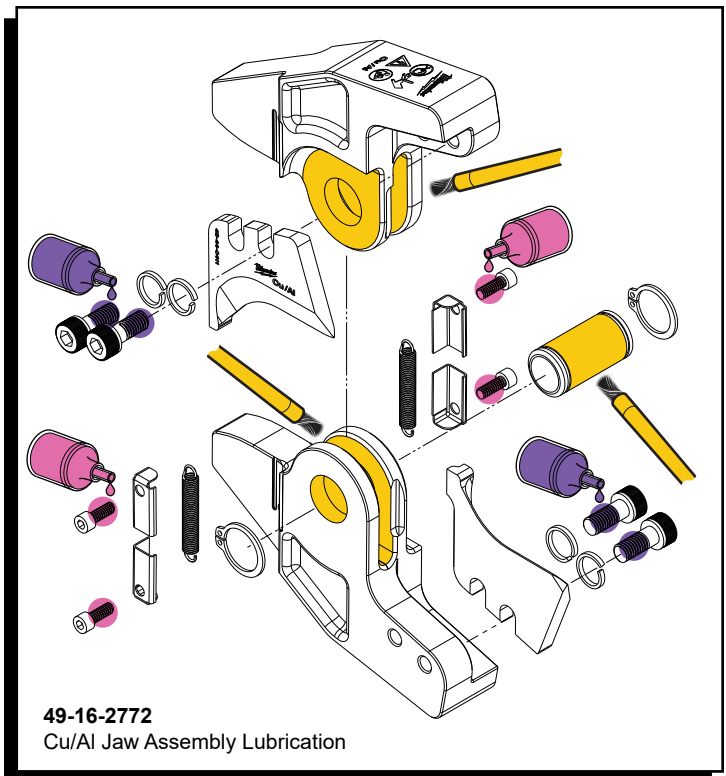
TORQUE SPECIFICATIONS			SEAT TORQUE	
FIG.	PART NO.	PART or WHERE USED	(kgf-cm)	(lb-in)
For 49-16-2777:				
1	05-81-0132	Screw, Retainer	90±3	78±2
7	05-74-0001	Screw, Blade	110±3	95±2
8	-----	Screw, Spring Covers	3-4	2-3
For 49-16-2778:				
1	05-74-0018	Screw, Blade	100±3	87±2
3	-----	Screw, Spring Covers	3-5	2-4

See lubrication instructions on page 5 prior to installing and securing fasteners.

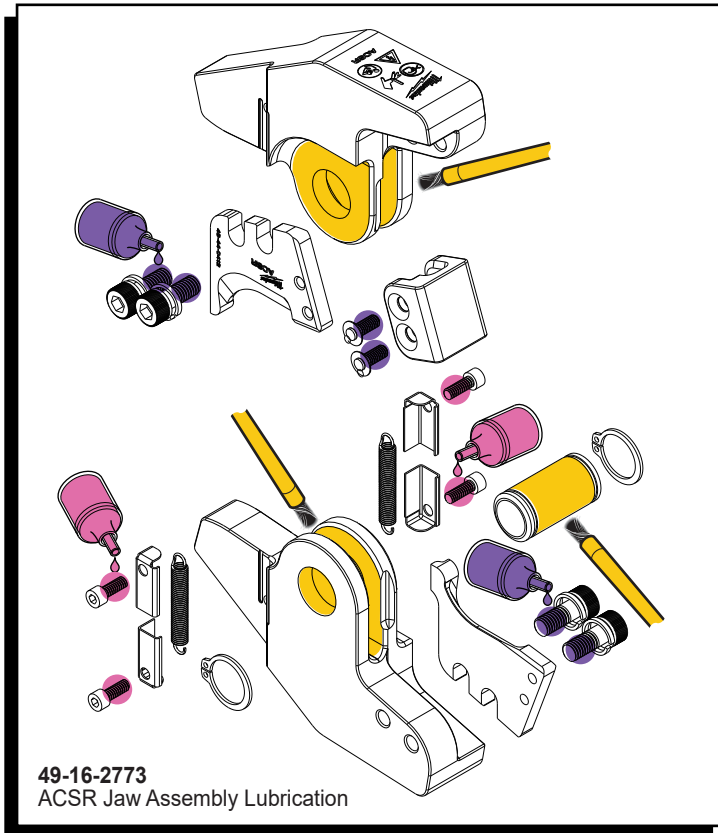
LUBRICATION INSTRUCTIONS

LUBRICATION:

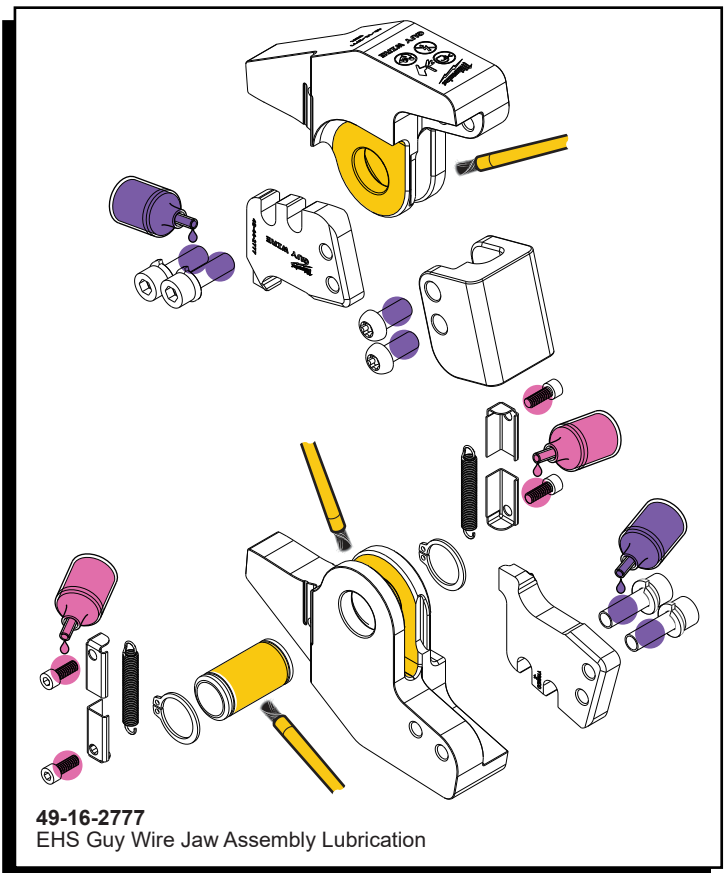
- = Type S2 Grease (7 oz. tube), 49-08-5265
- = 277 Red Loctite®, 44-22-0050
- = 243 Blue Loctite®, 44-22-0095



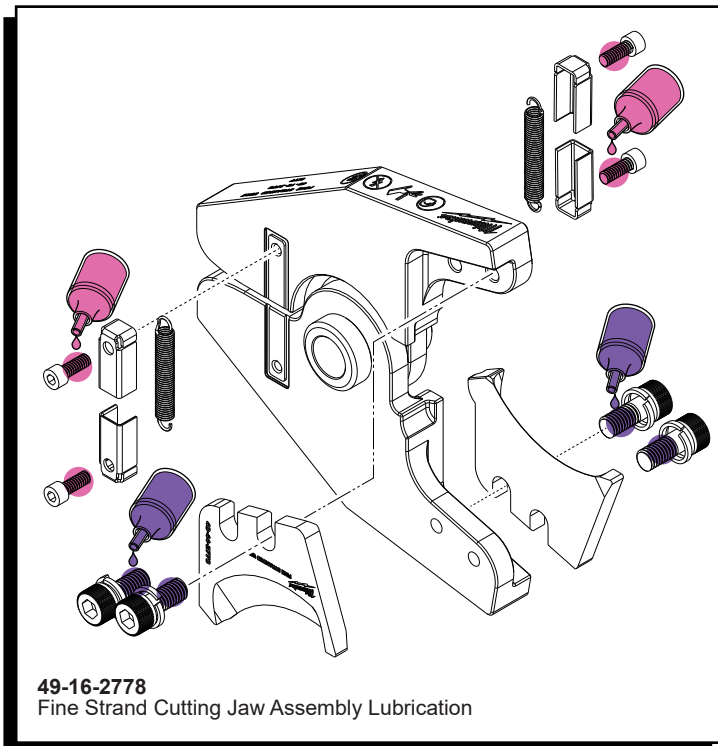
49-16-2772
Cu/Al Jaw Assembly Lubrication



49-16-2773
ACSR Jaw Assembly Lubrication



49-16-2777
EHS Guy Wire Jaw Assembly Lubrication



49-16-2778
Fine Strand Cutting Jaw Assembly Lubrication