



Brazn®
Wall-hung round-front toilet, dual-flush
K-21748

Features

- One-piece wall-hung toilet
- Round-front bowl offers an ideal solution for smaller bathrooms and powder rooms
- Dual flush offers a choice of 0.8 or 1.6 gpf (3.0 or 6.0 lpf)
- 2" (51 mm) fully glazed trapway
- Quiet-Close™ round-front seat and lid prevent slamming
- Bowl and seat only; requires KOHLER® in-wall tank and carrier system, and dual-flush actuator (sold separately)
- Coordinates with other products in the Brazn collection

Installation

- Bowl can be mounted anywhere between 15-3/8" – 28-1/2" (391 – 724 mm) from floor to bowl rim, depending on in-wall tank used

Required Products/Accessories

- K-6284 2" x 6" in-wall tank and carrier system
- or
- K-28829 In-wall tank and carrier system



ADA	CSA B651	OBC
-----	----------	-----

Codes/Standards

ASME A112.19.2/CSA B45.1
ASME A112.19.14
DOE - Energy Policy Act 1992
EPA WaterSense®
California Energy Commission (CEC)
ADA
ICC/ANSI A117.1
CSA B651
OBC

KOHLER® Toilets and Seats Limited Warranty

See website for detailed warranty information.

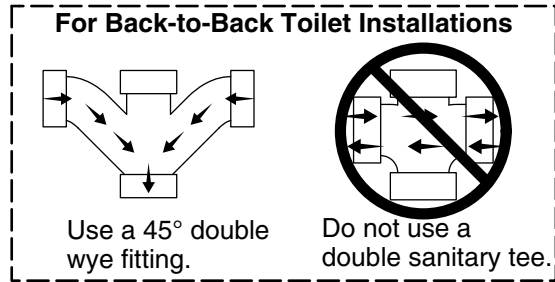
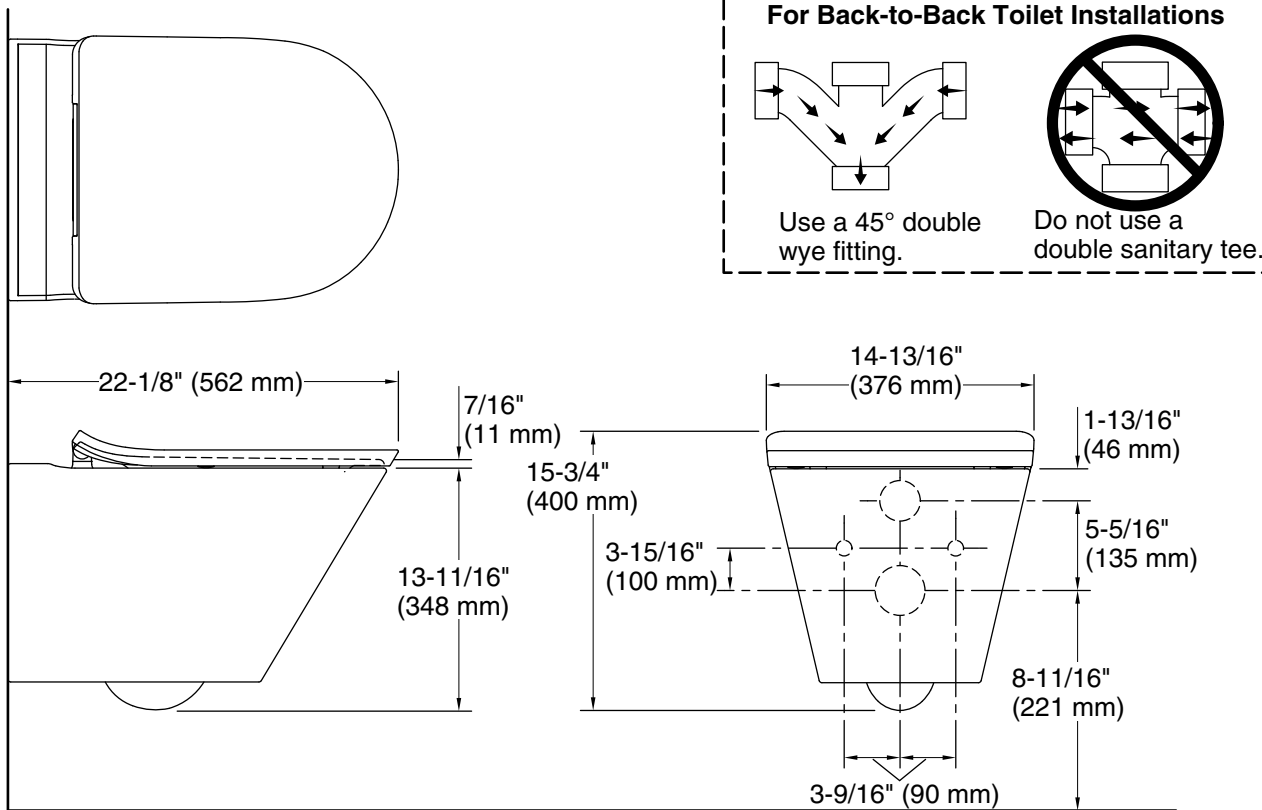
1-800-4KOHLER (1-800-456-4537)

Kohler Co. reserves the right to make revisions without notice to product specifications.

For the most current Specification Sheet, go to www.kohler.com USA or www.kohler.ca Canada

9-19-2025 15:45 - US/CA

THE BOLD LOOK
OF **KOHLER**®



Technical Information

All product dimensions are nominal.

Toilet type:	In-wall mount
Waste Outlet:	Wall
Flush type:	Gravity washdown
Trap passageway:	2-3/4" (70 mm)
Water surface size:	5" x 4" (127 mm x 102 mm)
Rim to water surface:	8-1/4" (210 mm)
Rough-in:	8-13/16" (224 mm)
Seat-mounting holes:	5-1/2" (140 mm)

Fixture Supply Requirements

Min static pressure:	15 psi (103.4 kPa)
Max static pressure:	80 psi (551.6 kPa)
Min flow rate:	1 gpm (3.8 lpm)

Notes

Install this product according to the installation instructions.

ADA, OBC, CSA B651 compliant when installed to the specific requirements of these regulations.

Plumbing codes may require elongated toilets and elongated, open-front seats in public bathrooms.

Accessibility standards may require controls to be located on the open side of the toilet.