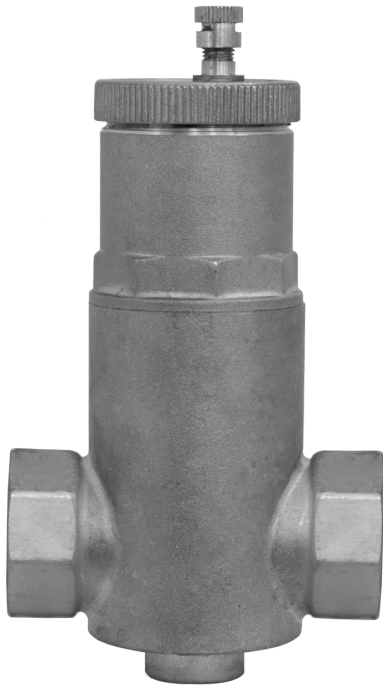


THIS SPACE FOR DESIGNER/ENGINEER APPROVAL

Job/Customer _____	Date _____	Contractor _____
Model Specified _____	Qty _____	Approved By _____
Designer/Engineer _____	Date _____	Contractor's PO# _____
Submitted by _____	Date _____	Other _____

7400 Series
Forged Brass Air Separator
w/ Removable Vent Head & Coalescing Medium
IPS
150 PSI
ISO 9001

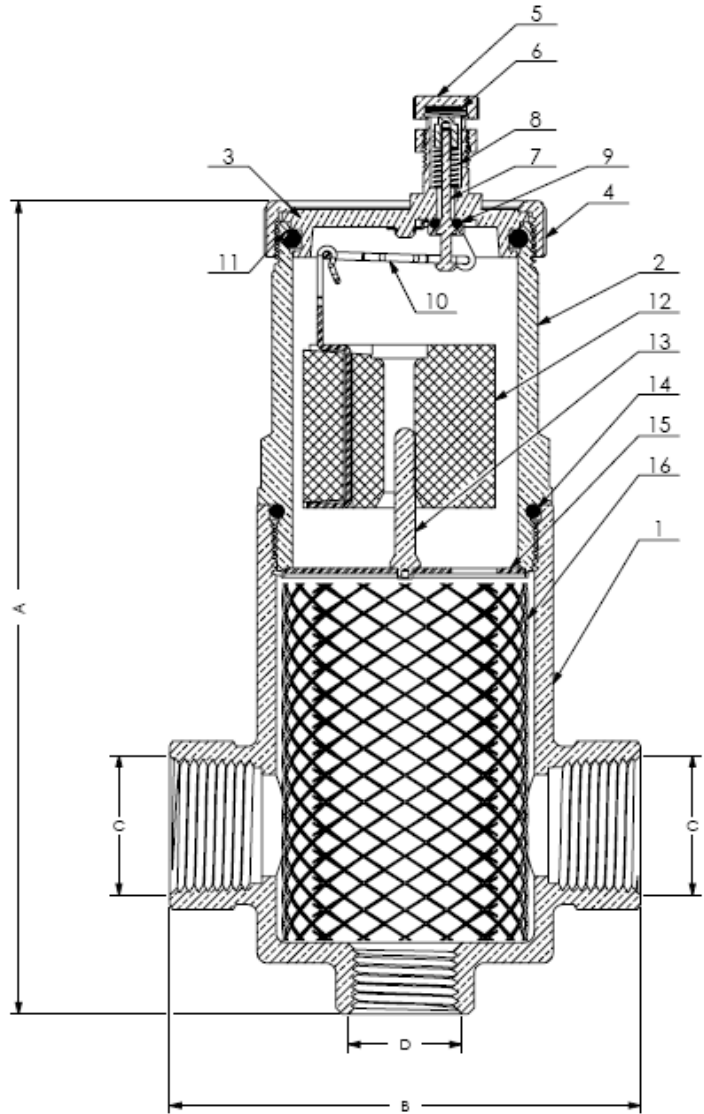
ITEM #	SIZE	CTN	CASE	A	B	C	D	Max GPM
74003	3/4"	1	10	6 1/4	3 5/8	3/4	1/2	6
74004	1"	1	10	6 1/4	3 3/4	1	1/2	10
74005	1 1/4"	1	10	6 1/4	3 7/8	1 1/4	1/2	15
74006	1 1/2"	1	10	8 13/16	5	1 1/2	1/2	30
74007	2"	1	10	8 13/16	5 1/8	2	1/2	40



NO	DESCRIPTION	MATERIAL
1	LOWER BODY	BRASS
2	UPPER BODY	BRASS
3	BODY CAP	BRASS
4	BODY CAP RING	BRASS
5	VENT CAP	BRASS
6	VENT CAP WASHER	BRASS
7	VENT PIN ASSEMBLY	BRASS
8	VENT SPRING	STAINLESS STEEL
9	VENT O-RING	EPDM
10	VENT/FLOAT ARM ASSEMBLY	STAINLESS STEEL
11	BODY CAP O-RING	EPDM
12	FLOAT	PLASTIC
13	FLOAT ALIGNMENT PIN	BRASS
14	BODY O-RING	EPDM
15	BAFFEL	STAINLESS STEEL
16	MESH	STAINLESS STEEL

THIS SPACE FOR DESIGNER/ENGINEER APPROVAL

Job/Customer _____	Date _____	Contractor _____
Model Specified _____	Qty _____	Approved By _____
Designer/Engineer _____	Date _____	Contractor's PO# _____
Submitted by _____	Date _____	Other _____



Specifications: Designed for residential, commercial or industrial use to quickly extract micro bubbles and static air from a hydronic heating system. The Air Separator must be installed in a straight run of horizontal piping and positioned precisely upright. Designated lengths of straight piping before and after the unit are not required. Neither side is designated as an inlet or outlet; the flow may be directed in either direction. Threaded ends comply with ANSI B1.20.1.



Quality and Commitment Since 1954

www.webstonevalves.com · Tel: (800) 225-9529 · Fax (800) 336-5133

Webstone product specifications in U.S. customary units are approximate and are provided for reference only. Webstone reserves the right to change or modify product design, construction, specifications or materials without prior notice and without incurring any obligation to make such changes and modifications on Webstone products previously or subsequently sold.

7400spec_3172015

THIS SPACE FOR DESIGNER/ENGINEER APPROVAL

Job/Customer _____	Date _____	Contractor _____
Model Specified _____	Qty _____	Approved By _____
Designer/Engineer _____	Date _____	Contractor's PO# _____
Submitted by _____	Date _____	Other _____

7500 Series
Forged Brass Air Separator
w/ Removable Vent Head & Coalescing Medium
CxC
150 PSI
ISO 9001

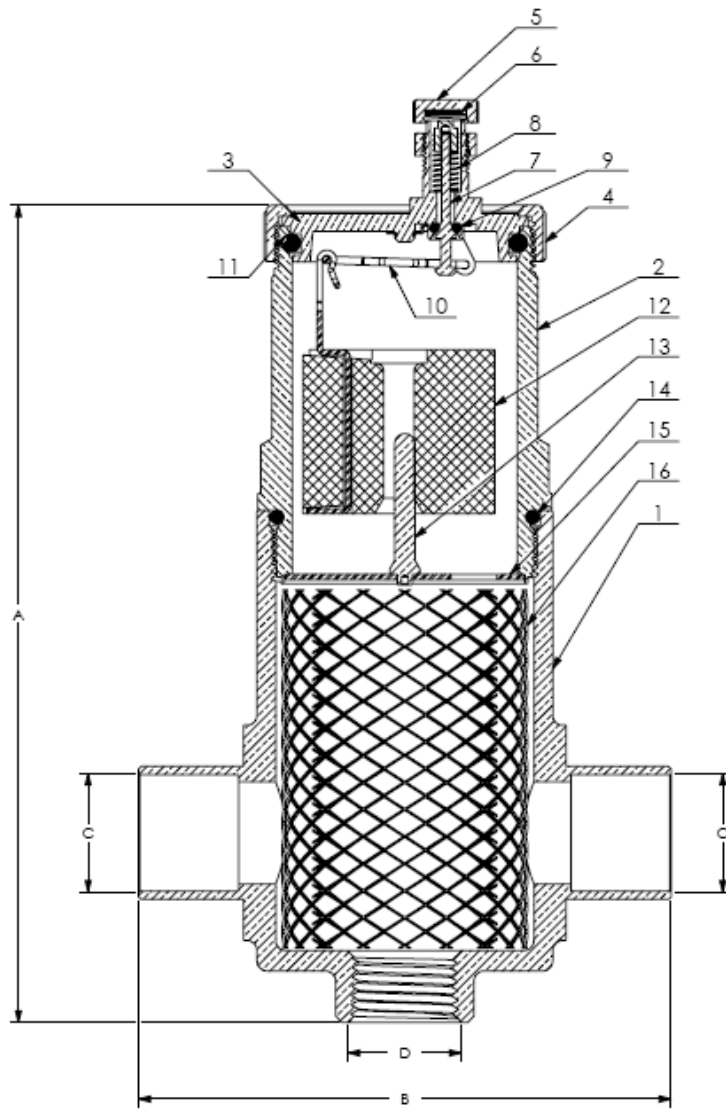
ITEM #	SIZE	CTN	CASE	A	B	C	D	Max GPM
75003	3/4"	1	10	6 1/4	4	3/4	1/2	6
75004	1"	1	10	6 1/4	4 1/2	1	1/2	10
75005	1 1/4"	1	10	6 1/4	4 1/2	1 1/4	1/2	15
75006	1 1/2"	1	10	9 1/8	5 5/8	1 1/2	1/2	30
75007	2"	1	10	9 1/8	6 1/8	2	1/2	40



NO	DESCRIPTION	MATERIAL
1	LOWER BODY	BRASS
2	UPPER BODY	BRASS
3	BODY CAP	BRASS
4	BODY CAP RING	BRASS
5	VENT CAP	BRASS
6	VENT CAP WASHER	BRASS
7	VENT PIN ASSEMBLY	BRASS
8	VENT SPRING	STAINLESS STEEL
9	VENT O-RING	EPDM
10	VENT/FLOAT ARM ASSEMBLY	STAINLESS STEEL
11	BODY CAP O-RING	EPDM
12	FLOAT	PLASTIC
13	FLOAT ALIGNMENT PIN	BRASS
14	BODY O-RING	EPDM
15	BAFFEL	STAINLESS STEEL
16	MESH	STAINLESS STEEL

THIS SPACE FOR DESIGNER/ENGINEER APPROVAL

Job/Customer _____	Date _____	Contractor _____
Model Specified _____	Qty _____	Approved By _____
Designer/Engineer _____	Date _____	Contractor's PO# _____
Submitted by _____	Date _____	Other _____



Specifications: Designed for residential, commercial or industrial use to quickly extract micro bubbles and static air from a hydronic heating system. The Air Separator must be installed in a straight run of horizontal piping and positioned precisely upright. Designated lengths of straight piping before and after the unit are not required. Neither side is designated as an inlet or outlet; the flow may be directed in either direction. Solder joint temperature ratings are per ASME B16.18 Annex A for 95-5 solder. Other solder materials have lower pressure/temperature limits. Do not silver braze or overheat valves when soldering.

Webstone
VALVE INNOVATION

Quality and Commitment Since 1954

www.webstonevalves.com · Tel: (800) 225-9529 · Fax (800) 336-5133

Webstone product specifications in U.S. customary units are approximate and are provided for reference only. Webstone reserves the right to change or modify product design, construction, specifications or materials without prior notice and without incurring any obligation to make such changes and modifications on Webstone products previously or subsequently sold.

7500spec_072811

THIS SPACE FOR DESIGNER/ENGINEER APPROVAL

Job/Customer _____	Date _____	Contractor _____
Model Specified _____	Qty _____	Approved By _____
Designer/Engineer _____	Date _____	Contractor's PO# _____
Submitted by _____	Date _____	Other _____

7800 Series
Forged Brass Air Separator
w/ Removable Vent Head & Coalescing Medium
PRESS
150 PSI
ISO 9001



ITEM #	SIZE	CTN	CASE	A	B	C	D	Max GPM
78003	3/4"	1	10	6 1/4	7	3/4	1/2	6
78004	1"	1	10	6 1/4	7 3/8	1	1/2	10
78005	1 1/4"	1	10	6 1/4	7 11/16	1 1/4	1/2	15
78006	1 1/2"	1	10	9 1/8	9 1/8	1 1/2	1/2	30
78007	2"	1	10	9 1/8	9 7/8	2	1/2	40



NO	DESCRIPTION	MATERIAL
1	UPPER BODY	BRASS
2	BAFFEL	STAINLESS STEEL
3	FLOAT ALIGNMENT PIN	BRASS
4	BODY CAP	BRASS
5	VENT O-RING	EPDM
6	VENT SPRING	STAINLESS STEEL
7	VENT PIN ASSEMBLY	BRASS
8	VENT LOCATING NUT	BRASS
9	VENT BRACKET	STAINLESS STEEL
10	SNAP RING	STAINLESS STEEL
11	VENT/FLOAT ARM ASSEMBLY	STAINLESS STEEL
12	FIXED LINK	STAINLESS STEEL
13	FLOAT ALIGNMENT PIN	PLASTIC
14	BODY CAP O-RING	EPDM
15	BODY CAP RING	BRASS
16	VENT CAP WASHER	EPDM
17	VENT CAP	BRASS
18	BODY O-RING	EPDM
19	MESH	STAINLESS STEEL
20	LOWER BODY	BRASS
21	PRESS FITTING BODY	BRASS
22	PRESS FITTING O-RING	EPDM

Thread sealant present between body and fitting connection.



Quality and Commitment Since 1954

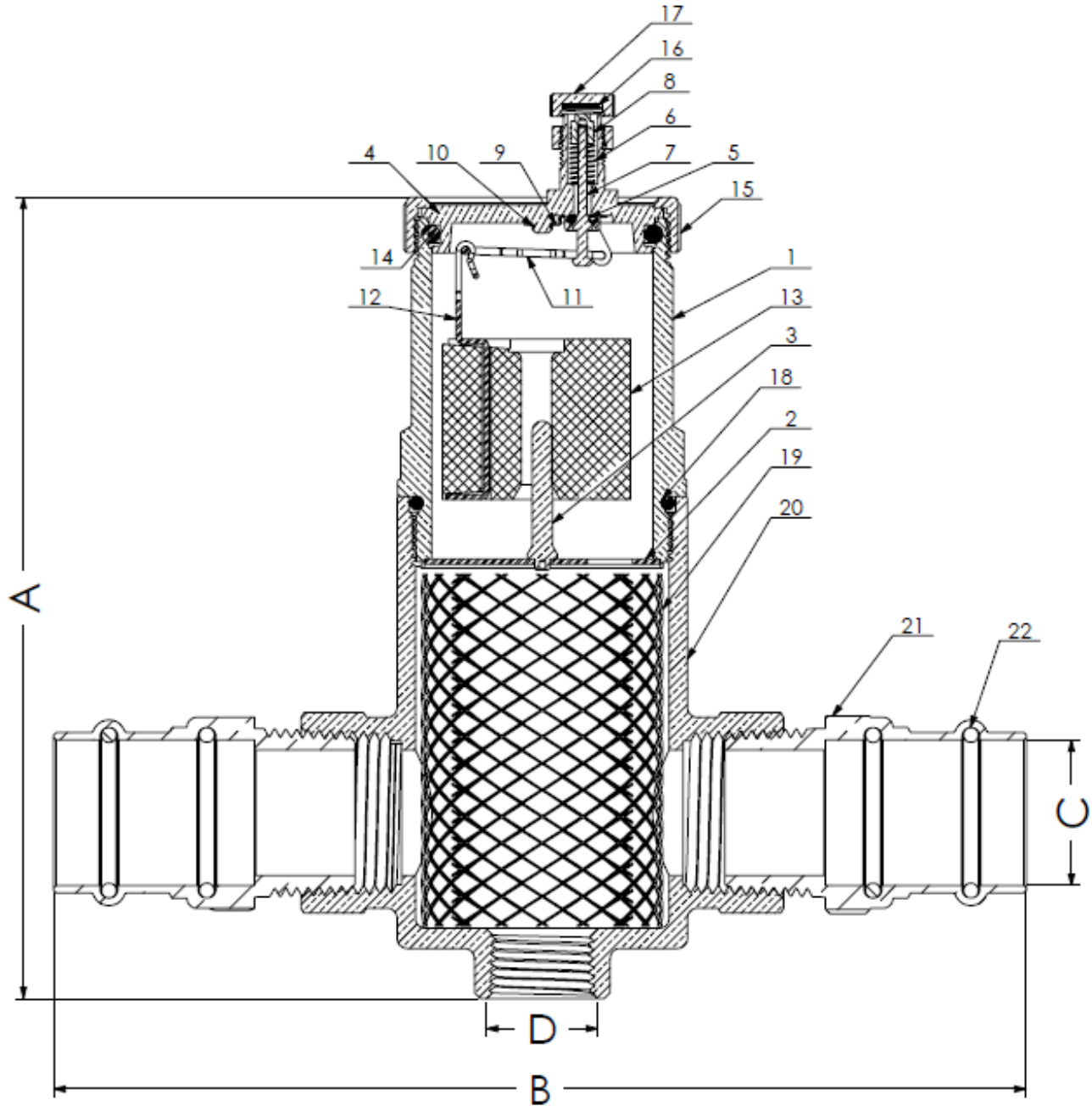
www.webstonevalves.com • Tel: (800) 225-9529 • Fax (800) 336-5133

Webstone product specifications in U.S. customary units are approximate and are provided for reference only. Webstone reserves the right to change or modify product design, construction, specifications or materials without prior notice and without incurring any obligation to make such changes and modifications on Webstone products previously or subsequently sold.

7800spec_05282014

THIS SPACE FOR DESIGNER/ENGINEER APPROVAL

Job/Customer _____	Date _____	Contractor _____
Model Specified _____	Qty _____	Approved By _____
Designer/Engineer _____	Date _____	Contractor's PO# _____
Submitted by _____	Date _____	Other _____



Webstone
VALVE INNOVATION

Quality and Commitment Since 1954

www.webstonevalves.com • Tel: (800) 225-9529 • Fax (800) 336-5133

Webstone product specifications in U.S. customary units are approximate and are provided for reference only. Webstone reserves the right to change or modify product design, construction, specifications or materials without prior notice and without incurring any obligation to make such changes and modifications on Webstone products previously or subsequently sold.

7800spec_05282014