

EAMWX

(formerly EAM4X)

Evaporator Coil – A Coil, Cased, Multipoise
for use with R-410A Refrigerant

**IN THE U.S. THIS PRODUCT IS FOR SERVICE AND
WARRANTY ONLY.**



Product Data

IMPORTANT: The EAMWX replaces the EAM4X model in the United States and is only available for service and warranty use. In Canada, the EAMWX can be used for new R-410A installations, service, and warranty use.

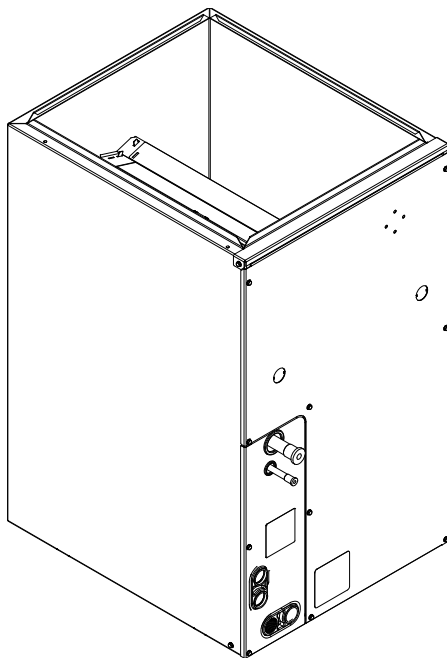


Fig. 1 – EAMWX

A06009



A221610ICP

The EAMWX evaporator coil incorporates proven standards for reliable system operation and performance throughout the life of this quality Air Conditioner or Heat Pump system. These quality evaporator coils, manufactured and installed as part of a total comfort system, provide AHRI-rated performance ratings and are additionally listed with UL and c-UL.

This coil is available for use with R-410A Refrigerant only. It is a cased A-coil that is housed in a durable, 24-gauge, pre-painted taupe metallic cabinet. The fully insulated cabinet (foil faced with R-2.1 insulation properties) provides for quiet efficient operation of the evaporator coil. This multipoise coil offers the most in installation application flexibility; one coil for a variety of applications with fewer SKUs to stock.

DESIGN FEATURES

Performance

Designed with performance in mind, this new A-coil offers low pressure drops to enhance system performance and airflow characteristics.

Thermostatic Expansion Valves (TXV)

All coils have refrigerant-specific, factory-installed TXVs.

Durable Condensate Pans (2)

The corrosion-resistant drain pans, one for vertical applications and one for horizontal, are designed in a “fiberglass reinforced thermoset polyester” material (FRTP) that offers unsurpassed pan strength. It is engineered with proper slope in both pans to help ensure water drainage, improved moisture removal, and home comfort.

Refrigerant Connections

Provided with industry proven sweat connections for leak-free operation to maintain system reliability. The side mounting tubing to the coil slabs allows for easy cleaning/servicing of the coils, as well as easy access to the TXV.

Burst Pressure

Meets or exceeds burst pressure of 2100 psi, which is at least three to five times the pressure it would see in actual application.

UV Knockouts

This cased coil comes with factory-installed UV knockouts for quick and easy installation of UV lights.

Serviceability

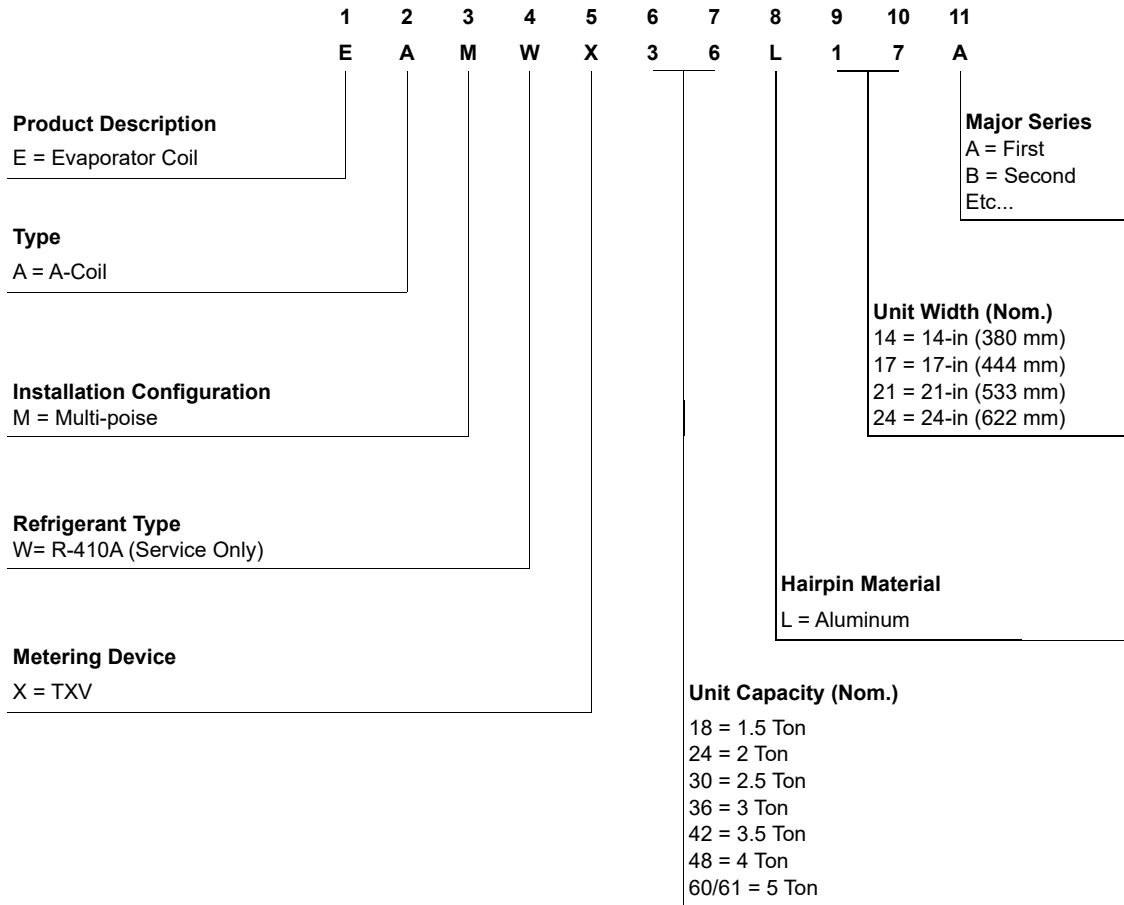
Comes with a “split delta plate” for easy, quick access to the coil for service and cleaning. Also, after the door is removed, the coil is removable from the front of the unit without use of any tools.

WARRANTY

- Default 5-year parts limited warranty:
 - 10-year parts limited warranty with timely registration*.Equipment must be registered within 90 days of original installation, except in jurisdictions where warranty benefits cannot be conditioned on registration.
- * Applies to original purchaser/homeowner and not available to subsequent owners, except in jurisdictions where laws dictate otherwise.

See Warranty certificate for complete details and restrictions.

MODEL NUMBER NOMENCLATURE



| UNIT | SERIES | A | B | C | D | E | F | G | SHIPPING WT (LBS) |
|-------------|--------|-----------|----------|----------|-----------|-----------|---------|------|-------------------|
| EAMWX24L14A | 1 | 25 13/16" | 14 3/16" | 12 7/16" | 17 3/16" | 10 11/16" | — | 5/8" | 52.5 |
| EAMWX24L17A | 1 | 25 13/16" | 17 1/2" | 15 3/4" | 10 11/16" | 10 11/16" | — | 5/8" | 56.5 |
| EAMWX30L14A | 1 | 25 13/16" | 14 3/16" | 12 7/16" | 17 3/16" | — | 19 3/4" | 3/4" | 58.0 |
| EAMWX30L17A | 1 | 25 13/16" | 17 1/2" | 15 3/4" | 17 3/16" | — | 19 3/4" | 3/4" | 64.5 |
| EAMWX36L17A | 1 | 29 3/4" | 17 1/2" | 15 3/4" | 19 3/4" | — | 19 3/4" | 3/4" | 71.0 |
| EAMWX42L21A | 1 | 29 3/4" | 21" | 19 1/4" | 19 3/4" | — | 19 3/4" | 7/8" | 78.0 |
| EAMWX48L21A | 1 | 29 3/4" | 21" | 19 1/4" | 19 3/4" | — | 19 3/4" | 7/8" | 84.0 |
| EAMWX61L21A | 1 | 35" | 21" | 19 1/4" | 19 3/4" | — | 19 3/4" | 7/8" | 98.0 |
| EAMWX60L24A | 1 | 35" | 24 1/2" | 22 3/4" | 19 3/4" | — | 19 3/4" | 7/8" | 101.0 |

NOTES:

- SERIES NUMBER IS IN THE LAST POSITION OF THE UNIT MODEL NUMBER.
- ALL DIMENSIONS ARE IN "INCHES" UNLESS NOTED.

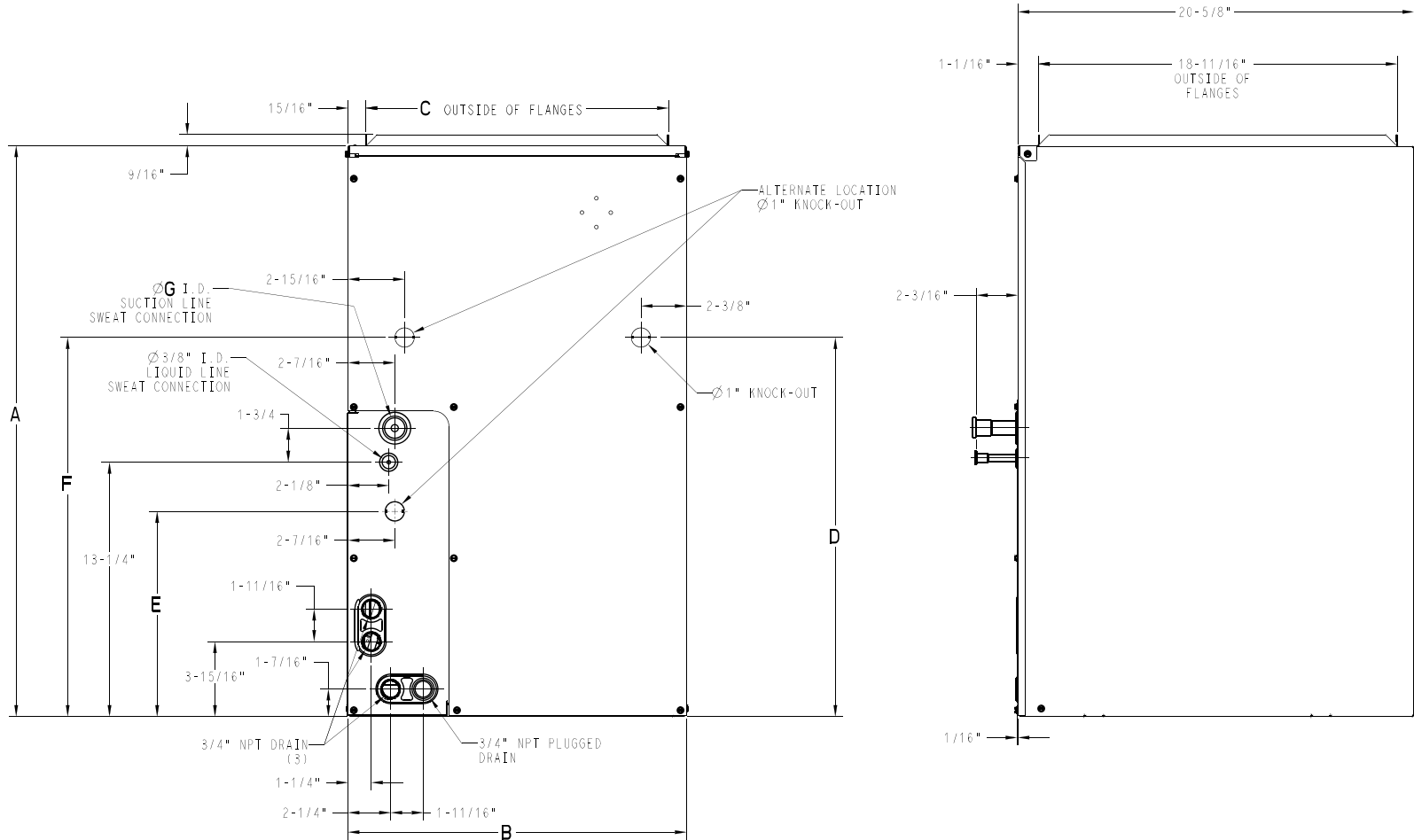


Fig. 2 – Dimensions (English)

A250005

| UNIT | SERIES | A | B | C | D | E | F | G | SHIPPING WT (Kgs) |
|-------------|--------|-------|-------|-------|-------|-------|-------|-------|-------------------|
| EAMWX24L14A | 1 | 655.6 | 360.4 | 315.9 | 436.6 | 271.5 | — | 15.88 | 23.8 |
| EAMWX24L17A | 1 | 655.6 | 444.5 | 400.0 | 271.5 | 271.5 | — | 15.88 | 25.6 |
| EAMWX30L14A | 1 | 655.6 | 360.4 | 315.9 | 436.6 | — | 501.6 | 19.05 | 26.3 |
| EAMWX30L17A | 1 | 655.6 | 444.5 | 400.0 | 436.6 | — | 501.6 | 19.05 | 29.3 |
| EAMWX36L17A | 1 | 755.6 | 444.5 | 400.0 | 501.6 | — | 501.6 | 19.05 | 32.2 |
| EAMWX42L21A | 1 | 755.6 | 533.4 | 489.0 | 501.6 | — | 501.6 | 22.23 | 35.4 |
| EAMWX48L21A | 1 | 755.6 | 533.4 | 489.0 | 501.6 | — | 501.6 | 22.23 | 38.1 |
| EAMWX61L21A | 1 | 889.0 | 533.4 | 489.0 | 501.6 | — | 501.6 | 22.23 | 44.5 |
| EAMWX60L24A | 1 | 889.0 | 622.3 | 577.8 | 501.6 | — | 501.6 | 22.23 | 45.8 |

NOTES:

- SERIES NUMBER IS IN THE LAST POSITION OF THE UNIT MODEL NUMBER.
- ALL DIMENSIONS ARE IN "MM" UNLESS NOTED.

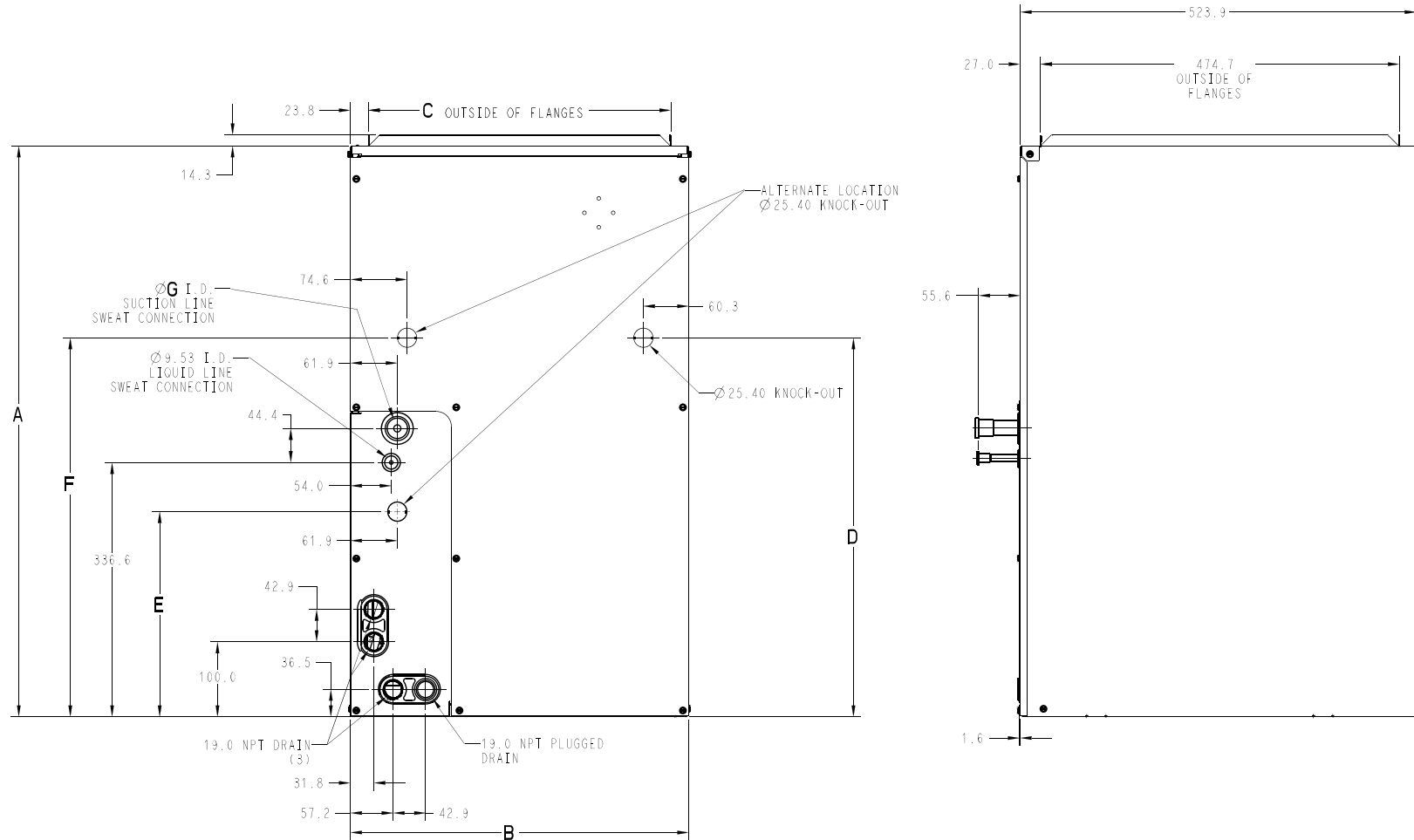


Fig. 3 – Dimensions (Metric)

PERFORMANCE DATA**Table 1 – COOLING CAPACITIES (MBH) - R-410A REFRIGERANT**

| Unit Size | Indoor Coil Air | | Saturated Temperature Leaving Evaporator °F (°C) | | | | | | | | | | | | | | |
|----------------------|-----------------|---------|--|-------|------|--------|-------|------|--------|-------|------|--------|-------|------|---------|-------|------|
| | | | 30 (-1) | | | 35 (2) | | | 40 (4) | | | 45 (7) | | | 50 (10) | | |
| | CFM | EWB | TC | SHC | BF | TC | SHC | BF | TC | SHC | BF | TC | SHC | BF | TC | SHC | BF |
| 2414 2417 | 600 | 72 (22) | 39.40 | 19.20 | 0.00 | 36.30 | 17.60 | 0.00 | 32.80 | 15.90 | 0.00 | 28.90 | 14.10 | 0.00 | 24.50 | 12.20 | 0.01 |
| | | 67 (19) | 33.10 | 20.00 | 0.01 | 29.90 | 18.20 | 0.01 | 26.30 | 16.40 | 0.01 | 22.40 | 14.50 | 0.02 | 17.90 | 12.60 | 0.02 |
| | | 62 (17) | 27.40 | 20.50 | 0.02 | 24.10 | 18.70 | 0.02 | 20.50 | 16.90 | 0.02 | 16.60 | 15.00 | 0.02 | 13.10 | 13.10 | 0.05 |
| | 800 | 72 (22) | 47.70 | 23.20 | 0.00 | 44.00 | 21.40 | 0.00 | 39.80 | 19.40 | 0.00 | 35.10 | 17.30 | 0.02 | 19.80 | 15.10 | 0.02 |
| | | 67 (19) | 40.30 | 24.50 | 0.03 | 36.40 | 22.50 | 0.03 | 32.10 | 20.40 | 0.03 | 27.30 | 18.10 | 0.03 | 21.80 | 15.80 | 0.03 |
| | | 62 (17) | 33.40 | 25.50 | 0.04 | 29.50 | 23.40 | 0.04 | 25.10 | 21.20 | 0.04 | 20.50 | 19.00 | 0.04 | 16.70 | 16.70 | 0.09 |
| | 1000 | 72 (22) | 54.30 | 26.40 | 0.00 | 50.20 | 24.40 | 0.00 | 45.40 | 22.30 | 0.02 | 40.10 | 20.00 | 0.04 | 34.00 | 17.50 | 0.04 |
| | | 67 (19) | 46.00 | 28.20 | 0.05 | 41.70 | 26.10 | 0.05 | 36.80 | 23.70 | 0.05 | 31.20 | 21.20 | 0.05 | 25.00 | 18.60 | 0.05 |
| | | 62 (17) | 38.30 | 29.80 | 0.05 | 33.80 | 27.50 | 0.06 | 28.90 | 25.10 | 0.06 | 23.80 | 22.60 | 0.06 | 19.90 | 19.90 | 0.14 |
| 3014 3017 | 750 | 72 (22) | 49.10 | 24.00 | 0.00 | 45.00 | 21.90 | 0.00 | 40.50 | 19.70 | 0.00 | 35.50 | 17.40 | 0.00 | 30.00 | 15.00 | 0.01 |
| | | 67 (19) | 41.20 | 24.80 | 0.01 | 37.00 | 22.50 | 0.02 | 32.40 | 20.20 | 0.02 | 27.40 | 17.80 | 0.02 | 21.90 | 15.30 | 0.02 |
| | | 62 (17) | 34.00 | 25.40 | 0.02 | 29.70 | 23.00 | 0.02 | 25.10 | 20.60 | 0.02 | 20.30 | 18.30 | 0.02 | 16.00 | 16.00 | 0.06 |
| | 1000 | 72 (22) | 59.90 | 29.10 | 0.00 | 55.00 | 26.70 | 0.00 | 49.50 | 24.10 | 0.00 | 43.30 | 21.30 | 0.02 | 36.50 | 18.40 | 0.03 |
| | | 67 (19) | 50.40 | 30.50 | 0.03 | 45.30 | 27.90 | 0.04 | 39.70 | 25.10 | 0.04 | 33.50 | 22.20 | 0.04 | 26.70 | 19.20 | 0.04 |
| | | 62 (17) | 41.70 | 31.60 | 0.04 | 36.50 | 28.80 | 0.04 | 30.90 | 26.00 | 0.04 | 25.00 | 23.10 | 0.05 | 20.30 | 20.30 | 0.10 |
| | 1250 | 72 (22) | 68.80 | 33.40 | 0.00 | 63.20 | 30.70 | 0.00 | 56.80 | 27.80 | 0.03 | 49.70 | 24.70 | 0.04 | 41.90 | 21.40 | 0.05 |
| | | 67 (19) | 58.00 | 35.40 | 0.06 | 52.20 | 32.40 | 0.06 | 45.70 | 29.30 | 0.06 | 38.50 | 26.00 | 0.06 | 30.60 | 22.60 | 0.07 |
| | | 62 (17) | 48.00 | 37.00 | 0.07 | 42.10 | 33.90 | 0.07 | 35.70 | 30.70 | 0.07 | 29.20 | 27.50 | 0.07 | 24.20 | 24.20 | 0.01 |
| 3617 | 900 | 72 (22) | 60.30 | 29.40 | 0.00 | 55.40 | 26.90 | 0.00 | 49.90 | 24.30 | 0.00 | 43.80 | 21.50 | 0.01 | 37.00 | 18.60 | 0.02 |
| | | 67 (19) | 50.70 | 30.60 | 0.02 | 45.70 | 27.90 | 0.03 | 40.10 | 25.10 | 0.03 | 33.90 | 22.20 | 0.03 | 27.00 | 19.20 | 0.03 |
| | | 62 (17) | 41.90 | 31.50 | 0.03 | 36.70 | 28.70 | 0.03 | 31.10 | 25.80 | 0.03 | 25.10 | 22.90 | 0.04 | 20.00 | 20.00 | 0.08 |
| | 1200 | 72 (22) | 72.40 | 35.10 | 0.00 | 66.50 | 32.30 | 0.00 | 59.90 | 29.30 | 0.02 | 52.50 | 26.00 | 0.04 | 44.30 | 22.60 | 0.05 |
| | | 67 (19) | 61.00 | 37.10 | 0.05 | 55.00 | 34.00 | 0.06 | 48.20 | 30.70 | 0.06 | 40.70 | 27.30 | 0.06 | 32.40 | 23.70 | 0.06 |
| | | 62 (17) | 50.50 | 38.80 | 0.06 | 44.30 | 35.50 | 0.06 | 37.60 | 32.10 | 0.06 | 30.60 | 28.70 | 0.07 | 25.20 | 25.20 | 0.13 |
| | 1500 | 72 (22) | 82.20 | 39.90 | 0.00 | 75.60 | 36.90 | 0.02 | 68.10 | 33.50 | 0.05 | 59.70 | 29.90 | 0.07 | 50.40 | 26.10 | 0.08 |
| | | 67 (19) | 69.40 | 42.70 | 0.08 | 62.60 | 39.30 | 0.08 | 55.00 | 35.70 | 0.08 | 46.40 | 31.80 | 0.09 | 37.00 | 27.80 | 0.09 |
| | | 62 (17) | 57.70 | 45.10 | 0.09 | 50.70 | 41.40 | 0.09 | 43.10 | 37.70 | 0.09 | 35.50 | 34.00 | 0.10 | 29.80 | 29.80 | 0.18 |
| 4221 | 1050 | 72 (22) | 75.00 | 36.40 | 0.00 | 69.30 | 33.70 | 0.00 | 62.60 | 30.60 | 0.01 | 55.10 | 27.40 | 0.02 | 46.90 | 24.00 | 0.03 |
| | | 67 (19) | 63.30 | 38.80 | 0.03 | 57.20 | 35.70 | 0.03 | 50.50 | 32.50 | 0.03 | 42.90 | 29.00 | 0.04 | 33.50 | 25.00 | 0.04 |
| | | 62 (17) | 52.60 | 40.80 | 0.04 | 46.40 | 37.60 | 0.04 | 39.50 | 34.10 | 0.04 | 32.00 | 30.40 | 0.05 | 26.40 | 26.40 | 0.14 |
| | 1400 | 72 (22) | 87.10 | 42.50 | 0.00 | 80.60 | 39.50 | 0.03 | 73.00 | 36.20 | 0.04 | 64.20 | 32.50 | 0.01 | 54.40 | 28.60 | 0.06 |
| | | 67 (19) | 73.80 | 46.10 | 0.06 | 66.90 | 42.70 | 0.06 | 58.90 | 39.00 | 0.07 | 50.10 | 35.20 | 0.07 | 40.00 | 30.90 | 0.07 |
| | | 62 (17) | 61.40 | 49.30 | 0.07 | 54.40 | 45.70 | 0.07 | 46.90 | 42.10 | 0.07 | 39.00 | 38.10 | 0.09 | 33.00 | 33.00 | 0.19 |
| | 1750 | 72 (22) | 96.50 | 47.40 | 0.05 | 89.50 | 44.30 | 0.07 | 81.30 | 40.80 | 0.07 | 71.70 | 36.90 | 0.08 | 60.50 | 32.60 | 0.09 |
| | | 67 (19) | 82.10 | 52.30 | 0.09 | 74.60 | 48.80 | 0.09 | 65.90 | 44.90 | 0.09 | 55.90 | 40.60 | 0.09 | 45.10 | 36.20 | 0.10 |
| | | 62 (17) | 68.60 | 56.80 | 0.10 | 61.00 | 53.10 | 0.10 | 52.90 | 49.10 | 0.10 | 44.90 | 44.90 | 0.12 | 38.70 | 38.70 | 0.24 |

Table 1 – COOLING CAPACITIES (MBH) - R-410A REFRIGERANT (Continued)

| Unit Size | Indoor Coil Air | | Saturated Temperature Leaving Evaporator °F (°C) | | | | | | | | | | | | | | |
|-----------|-----------------|---------|--|-------|------|--------|-------|------|--------|-------|------|--------|-------|------|---------|-------|------|
| | | | 30 (-1) | | | 35 (2) | | | 40 (4) | | | 45 (7) | | | 50 (10) | | |
| | CFM | EWB | TC | SHC | BF | TC | SHC | BF | TC | SHC | BF | TC | SHC | BF | TC | SHC | BF |
| 4821 | 1200 | 72 (22) | 83.40 | 40.60 | 0.00 | 76.70 | 37.20 | 0.00 | 69.30 | 33.60 | 0.00 | 60.90 | 29.80 | 0.01 | 51.70 | 25.80 | 0.02 |
| | | 67 (19) | 70.10 | 42.30 | 0.02 | 63.20 | 38.60 | 0.03 | 55.60 | 34.80 | 0.03 | 47.20 | 30.80 | 0.04 | 37.80 | 26.60 | 0.04 |
| | | 62 (17) | 57.90 | 43.50 | 0.04 | 50.90 | 39.70 | 0.04 | 43.20 | 35.70 | 0.04 | 34.90 | 31.70 | 0.04 | 27.70 | 27.70 | 0.08 |
| | 1600 | 72 (22) | 100.80 | 48.90 | 0.00 | 92.80 | 45.10 | 0.00 | 83.80 | 40.90 | 0.01 | 73.80 | 36.40 | 0.04 | 62.50 | 31.70 | 0.05 |
| | | 67 (19) | 84.90 | 51.70 | 0.05 | 76.70 | 47.40 | 0.06 | 67.50 | 42.90 | 0.06 | 57.30 | 38.10 | 0.06 | 45.90 | 33.20 | 0.06 |
| | | 62 (17) | 70.40 | 53.90 | 0.06 | 62.00 | 49.30 | 0.06 | 52.60 | 44.60 | 0.07 | 42.80 | 39.90 | 0.07 | 35.00 | 35.00 | 0.01 |
| | 2000 | 72 (22) | 114.70 | 55.70 | 0.00 | 105.70 | 51.60 | 0.00 | 95.60 | 47.00 | 0.05 | 84.20 | 42.00 | 0.07 | 71.40 | 36.70 | 0.08 |
| | | 67 (19) | 97.00 | 59.50 | 0.08 | 87.70 | 54.90 | 0.08 | 77.30 | 49.90 | 0.09 | 65.60 | 44.60 | 0.09 | 52.50 | 39.00 | 0.09 |
| | | 62 (17) | 80.60 | 62.80 | 0.09 | 71.00 | 57.70 | 0.09 | 60.50 | 52.50 | 0.09 | 49.60 | 47.20 | 0.10 | 41.30 | 41.30 | 0.18 |
| 6024 | 1600 | 72 (22) | 109.20 | 53.40 | 0.00 | 100.00 | 48.60 | 0.00 | 89.90 | 43.60 | 0.00 | 78.60 | 38.50 | 0.00 | 66.40 | 33.10 | 0.02 |
| | | 67 (19) | 91.50 | 55.10 | 0.02 | 82.10 | 50.00 | 0.03 | 71.90 | 44.80 | 0.03 | 60.70 | 39.40 | 0.03 | 48.40 | 34.00 | 0.03 |
| | | 62 (17) | 75.40 | 56.30 | 0.03 | 65.90 | 51.00 | 0.03 | 55.60 | 45.70 | 0.04 | 44.80 | 40.40 | 0.04 | 35.30 | 35.30 | 0.07 |
| | 2000 | 72 (22) | 128.00 | 62.52 | 0.00 | 117.20 | 56.90 | 0.00 | 105.20 | 51.20 | 0.00 | 92.00 | 45.20 | 0.02 | 77.50 | 39.10 | 0.04 |
| | | 67 (19) | 107.40 | 64.90 | 0.04 | 96.40 | 59.10 | 0.04 | 84.30 | 53.00 | 0.05 | 71.10 | 46.80 | 0.05 | 56.60 | 40.50 | 0.05 |
| | | 62 (17) | 88.60 | 66.90 | 0.05 | 77.50 | 60.80 | 0.05 | 65.30 | 54.60 | 0.05 | 52.70 | 48.50 | 0.06 | 42.40 | 42.40 | 0.11 |
| | 2400 | 72 (22) | 144.20 | 70.00 | 0.00 | 132.10 | 64.20 | 0.00 | 118.50 | 57.90 | 0.01 | 103.60 | 51.20 | 0.04 | 87.20 | 44.30 | 0.06 |
| | | 67 (19) | 121.20 | 73.60 | 0.06 | 108.80 | 67.20 | 0.06 | 95.10 | 60.40 | 0.07 | 80.10 | 53.50 | 0.07 | 63.70 | 46.40 | 0.07 |
| | | 62 (17) | 100.10 | 76.40 | 0.07 | 87.50 | 69.60 | 0.07 | 73.80 | 62.70 | 0.07 | 59.80 | 56.00 | 0.08 | 48.90 | 48.90 | 0.14 |
| 6121 | 1600 | 72 (22) | 133.10 | 65.29 | 0.00 | 124.38 | 61.09 | 0.00 | 114.12 | 56.35 | 0.00 | 102.04 | 51.04 | 0.00 | 87.92 | 45.18 | 0.00 |
| | | 67 (19) | 112.92 | 69.55 | 0.00 | 103.56 | 64.81 | 0.00 | 92.62 | 59.52 | 0.00 | 79.80 | 53.65 | 0.00 | 64.92 | 47.24 | 0.00 |
| | | 62 (17) | 94.29 | 73.16 | 0.00 | 84.32 | 67.90 | 0.00 | 72.85 | 62.14 | 0.00 | 59.93 | 55.91 | 0.00 | 48.98 | 48.98 | 0.00 |
| | 2000 | 72 (22) | 150.19 | 73.70 | 0.00 | 140.73 | 69.39 | 0.00 | 129.45 | 64.43 | 0.00 | 116.13 | 58.76 | 0.00 | 100.38 | 52.39 | 0.00 |
| | | 67 (19) | 127.98 | 79.99 | 0.00 | 117.77 | 75.03 | 0.00 | 105.67 | 69.38 | 0.00 | 91.36 | 63.01 | 0.00 | 74.55 | 55.91 | 0.00 |
| | | 62 (17) | 107.36 | 85.50 | 0.00 | 96.47 | 79.93 | 0.00 | 83.81 | 73.69 | 0.00 | 69.74 | 66.88 | 0.00 | 58.70 | 58.70 | 0.00 |
| | 2400 | 72 (22) | 163.45 | 80.69 | 0.00 | 153.55 | 76.31 | 0.00 | 141.65 | 71.22 | 0.00 | 127.40 | 65.35 | 0.00 | 110.42 | 58.64 | 0.00 |
| | | 67 (19) | 139.86 | 88.99 | 0.00 | 129.06 | 83.92 | 0.00 | 116.15 | 78.06 | 0.00 | 100.72 | 71.35 | 0.00 | 82.51 | 63.78 | 0.00 |
| | | 62 (17) | 117.85 | 96.47 | 0.00 | 106.33 | 90.72 | 0.00 | 92.96 | 84.20 | 0.00 | 78.33 | 76.91 | 0.00 | 67.38 | 67.38 | 0.00 |

Legend:

CFM - Cubic Ft. per Minute
BF - Bypass Factor

EWB - Entering Wet Bulb (°F)
MBH - 1000 Btuh

LWB - Leaving Wet Bulb (°F)

TC - Gross Cooling Capacity 1000 Btuh
SHC - Gross Sensible Capacity 1000 Btuh

See notes on page 7.

Table 2 – COIL STATIC PRESSURE DROP (in. w.c.) R-410A REFRIGERANT

| Unit Size | STANDARD CFM | | | | | | | | | | | | | | | | | | | |
|-----------|--------------|-------|-------|-------|-------|-------|-------|-------|-------|-------|-------|-------|-------|-------|-------|-------|-------|-------|-------|--|
| | 400 | 500 | 600 | 700 | 800 | 900 | 1000 | 1100 | 1200 | 1300 | 1400 | 1500 | 1600 | 1700 | 1800 | 1900 | 2000 | 2100 | 2200 | |
| 2414 | Dry | | | | | | | | | | | | | | | | | | | |
| | 0.065 | 0.091 | 0.120 | 0.154 | 0.194 | 0.237 | 0.284 | | | | | | | | | | | | | |
| | Wet | | | | | | | | | | | | | | | | | | | |
| | 0.066 | 0.094 | 0.124 | 0.161 | 0.203 | 0.250 | 0.301 | | | | | | | | | | | | | |
| 2417 | Dry | | | | | | | | | | | | | | | | | | | |
| | 0.056 | 0.076 | 0.097 | 0.123 | 0.151 | 0.182 | 0.215 | | | | | | | | | | | | | |
| | Wet | | | | | | | | | | | | | | | | | | | |
| | 0.060 | 0.082 | 0.105 | 0.132 | 0.163 | 0.195 | 0.231 | | | | | | | | | | | | | |
| 3014 | Dry | | | | | | | | | | | | | | | | | | | |
| | 0.054 | 0.077 | 0.102 | 0.133 | 0.167 | 0.206 | 0.248 | 0.296 | 0.347 | | | | | | | | | | | |
| | Wet | | | | | | | | | | | | | | | | | | | |
| | 0.059 | 0.084 | 0.111 | 0.142 | 0.181 | 0.223 | 0.269 | 0.319 | 0.375 | | | | | | | | | | | |
| 3017 | Dry | | | | | | | | | | | | | | | | | | | |
| | 0.043 | 0.059 | 0.077 | 0.096 | 0.119 | 0.144 | 0.171 | 0.201 | 0.232 | | | | | | | | | | | |
| | Wet | | | | | | | | | | | | | | | | | | | |
| | 0.046 | 0.063 | 0.083 | 0.105 | 0.130 | 0.157 | 0.186 | 0.219 | 0.252 | | | | | | | | | | | |
| 3617 | Dry | | | | | | | | | | | | | | | | | | | |
| | 0.023 | 0.036 | 0.052 | 0.069 | 0.089 | 0.110 | 0.135 | 0.160 | 0.189 | 0.219 | 0.251 | | | | | | | | | |
| | Wet | | | | | | | | | | | | | | | | | | | |
| | 0.042 | 0.058 | 0.076 | 0.095 | 0.117 | 0.142 | 0.169 | 0.198 | 0.231 | 0.265 | 0.299 | | | | | | | | | |
| 4221 | Dry | | | | | | | | | | | | | | | | | | | |
| | | | 0.044 | 0.056 | 0.068 | 0.082 | 0.099 | 0.119 | 0.138 | 0.161 | 0.183 | 0.205 | 0.233 | | | | | | | |
| | Wet | | | | | | | | | | | | | | | | | | | |
| | | | 0.058 | 0.073 | 0.089 | 0.106 | 0.125 | 0.143 | 0.165 | 0.189 | 0.213 | 0.239 | 0.268 | | | | | | | |
| 4821 | Dry | | | | | | | | | | | | | | | | | | | |
| | | | 0.055 | 0.072 | 0.089 | 0.107 | 0.128 | 0.150 | 0.175 | 0.199 | 0.228 | 0.257 | 0.288 | 0.321 | 0.356 | | | | | |
| | Wet | | | | | | | | | | | | | | | | | | | |
| | | | 0.058 | 0.075 | 0.094 | 0.115 | 0.136 | 0.161 | 0.188 | 0.217 | 0.247 | 0.279 | 0.313 | 0.347 | 0.386 | | | | | |
| 6024 | Dry | | | | | | | | | | | | | | | | | | | |
| | | | | | 0.073 | 0.083 | 0.095 | 0.107 | 0.120 | 0.136 | 0.152 | 0.169 | 0.184 | 0.203 | 0.217 | 0.238 | 0.260 | 0.283 | 0.307 | |
| | Wet | | | | | | | | | | | | | | | | | | | |
| | | | | | 0.076 | 0.086 | 0.098 | 0.110 | 0.124 | 0.140 | 0.157 | 0.175 | 0.193 | 0.215 | 0.238 | 0.261 | 0.286 | 0.314 | 0.342 | |
| 6121 | Dry | | | | | | | | | | | | | | | | | | | |
| | | | | | | 0.111 | 0.133 | 0.153 | 0.163 | 0.204 | 0.234 | 0.262 | 0.293 | 0.326 | 0.366 | 0.392 | 0.437 | 0.480 | 0.520 | |
| | Wet | | | | | | | | | | | | | | | | | | | |
| | | | | | | 0.130 | 0.150 | 0.183 | 0.210 | 0.245 | 0.280 | 0.320 | 0.355 | 0.400 | 0.435 | 0.480 | 0.525 | 0.570 | 0.630 | |

COOLING CAPACITIES NOTES:

NOTE:

- Contact manufacturer for cooling capacities at conditions other than shown in table.
- Formulas:

$$\text{Leaving db} = \text{entering db} - \frac{\text{sensible heat cap.}}{1.09 \times \text{CFM}}$$

$$\text{Leaving wb} = \text{wb corresponding to enthalpy of air leaving coil (h}_{LWB})$$

$$h_{LWB} = h_{EWB} - \frac{\text{total capacity (Btuh)}}{4.5 \times \text{CFM}}$$
 Where h_{EWB} = enthalpy of air entering coil
- SHC is based on 80°F db temperature of air entering the evaporator coil.
 Below 80°F db, subtract (Correction Factor x CFM) from SHC.
 Above 80°F db, add (Correction Factor x CFM) to SHC.
- Direct interpolation is permissible. Do not extrapolate.
- Fan motor heat has not been deducted.
- All data points are based on 10°F superheat leaving coil and use of thermostatic expansion valve (TXV) device.
- All units have sweat suction-tube connection and a liquid-tube connection. For 1-1/8-in. system suction tube, 3/4 x 1-1/8-in. suction tube connection adapter is available as accessory.
- The EAMWX coils can be used in any properly designed system using R-410A Refrigerant.
- Before using maximum cfm shown in table, check coil static pressure drop to ensure system blower can provide necessary static pressure needed for coil and duct systems.
- Bypass Factor = 0 indicates no psychometric solution. Use bypass factor of next lower EWB for approximation.

Table 3 – ENTERING AIR DRY BULB TEMPERATURE (°F)

| | | | | | | |
|------------------|-------------------|------|------|------|------|----------------------------------|
| BYPASS FACTOR | 79 | 78 | 77 | 76 | 75 | Under 75 |
| | 81 | 82 | 83 | 84 | 84 | Above 85 |
| | Correction Factor | | | | | |
| 0.10 | 0.98 | 1.96 | 2.94 | 3.92 | 4.91 | Use formula shown below |
| 0.20 | 0.87 | 1.74 | 2.62 | 3.49 | 4.36 | |
| 0.30 | 0.76 | 1.53 | 2.29 | 3.05 | 3.82 | |

Interpolation is permissible.

Correction Factor = $1.09 \times (1 - BF) \times (db - 80)$