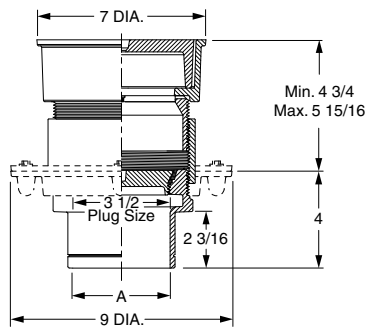


CLEANOUTS

FIG. 4240 SERIES UNFINISHED FLOOR CLEANOUTS W/ADJUSTABLE ROUND CAST IRON TOP W/TRACTOR COVER



FUNCTION: Used in unfinished areas where a loose set, non-tilt tractor cover is desired. Will withstand heavy load traffic.



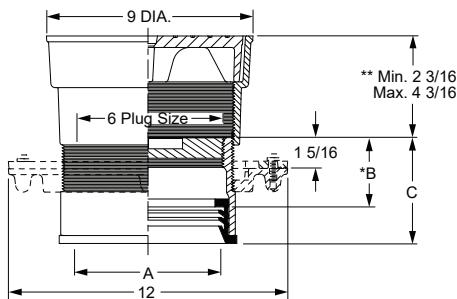
4240 Series
2" - 5" Sizes

OPTIONS:

-CSS	Center Securing Screw	ADD	72.00
-DX	Wide Flange		354.00
-F	Flange		N/C
-FC	Flange w/Flashing Clamp		80.00
-G	Galvanized CI		165.00
-IP	Iron Plug (In lieu of ABS)		72.00
-M	Ductile Iron Cover		229.00
-U	VP Center Securing Screw		72.00

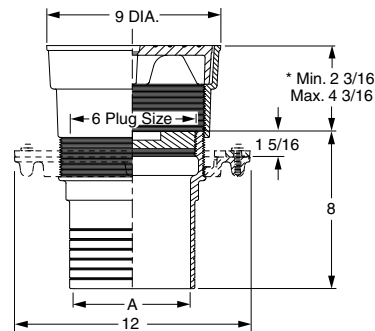
REPLACEMENT COVERS:

		LIST	
4240-4-NS			254.00
4240-6-NS			483.00
4240-4M-NS			483.00
4240-6M-NS			710.00
4240-4NBT-NS			477.00
4240-6NBT-NS			716.00
4240-4PBT-NS			432.00
4240-6PBT-NS			668.00



4239 Series
6" & 8" Sizes

A	B	C
06	*3	4 9/16
08	*3 1/4	4 13/16



4243 Series
6" & 8" Sizes

NOTE: When Flange -F is specified, Min. 2 3/16" becomes 2 11/16"

WITH ABS PLUG	SPIGOT* OUTLET	INSIDE CAULK OUTLET	SPEEDI- SET* OUTLET	A - OUTLET SIZE						
				COVER MATERIAL	02"	03"	04"	*05"	**06"	**08"
Gasket Seal Plug	4240S	4245C	4237L	†Duco Cast Iron (-CI)	316.00	367.00	449.00	759.00	-	-
				Nickel Bronze (-NB)	523.00	574.00	683.00	1,218.00	-	-
				Polished Bronze (-PB)	479.00	530.00	637.00	1,172.00	-	-
Taper Thread Plug	4244S	4249C	4236L	†Duco Cast Iron (-CI)	316.00	367.00	449.00	759.00	-	-
				Nickel Bronze (-NB)	523.00	574.00	683.00	1,218.00	-	-
				Polished Bronze (-PB)	479.00	530.00	637.00	1,172.00	-	-
WITH BRZ PLUG	SPIGOT* OUTLET	INSIDE CAULK OUTLET	SPEEDI- SET* OUTLET	A - OUTLET SIZE						
				COVER MATERIAL	02"	03"	04"	*05"	**06"	**08"
Gasket Seal Plug	4241S	4246C	4238L	†Duco Cast Iron (-CI)	461.00	513.00	597.00	901.00	1,322.00	1,523.00
				Nickel Bronze (-NB)	668.00	720.00	831.00	1,360.00	1,784.00	2,123.00
				Polished Bronze (-PB)	624.00	676.00	785.00	1,314.00	1,740.00	2,077.00
Taper Thread Plug	**4243S	4248C	**4239L	†Duco Cast Iron (-CI)	461.00	513.00	597.00	901.00	1,322.00	1,523.00
				Nickel Bronze (-NB)	668.00	720.00	831.00	1,360.00	1,784.00	2,123.00
				Polished Bronze (-PB)	624.00	676.00	785.00	1,314.00	1,740.00	2,077.00
APPROX WT. LBS.				15	18	20	29	32	36	

REGULARLY FURNISHED: Duco Cast Iron Cleanout with Round Adjustable Scoriated Cast Iron Top with Non-Tilt Tractor Cover. Closure Plug Type as Indicated by Figure Number Selected.

** 6 & 8" Available w/Bronze Taper Plug Only.

5, 6 & 8" Not Available w/Inside Caulk Outlet.

* Speedi-Set Outlet Available with 2, 3, 4, 6 or 8" Connection Only. Specify Service Weight (L), Extra Heavy (LXH) or PVC (LPVC). LPVC applies to 6" pipe size only.

• Spigot Ferrules are Suitable for use with No-Hub Connections.

♦ 5" Available w/Spigot Outlet Only.