



# The Next Necessity™

## Instant Hot Water Dispensers

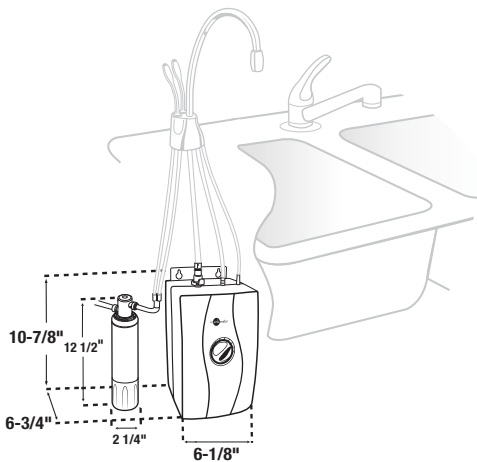
### Model HWT-F1000S

Stainless Steel Tank dispenses filtered near-boiling 200°F water instantly

Water dispenser sold separately



### Dimensions



### Submittal Sheet

- 2/3-gallon stainless steel tank
- Easy to adjust temperature control
- Tool-free tank connections and dry start protection to ease installation
- Provides 60 cups/hour of near-boiling water
- F-1000S Filtration System included for fresher tasting water
  - Reduces particulates, chlorine taste and odor for clean, refreshing taste
  - Sanitary, quick-change filter cartridge makes replacement easy
- 115 volts, 750 watts, 6.25 amps
- For use with InSinkErator instant hot water dispensers (excluding model Hot1)
- Unit not for commercial/industrial use

### Specifications

|                             |   |
|-----------------------------|---|
| Capacity                    | 2/3-gallon stainless steel tank dispenses 60 cups of 200°F water per hour               |
| Electrical                  | 115 volts, A.C., 750 watts, 6.25 amp heating element with grounded three (3) prong plug |
| Thermostat                  | Snap-action, adjustable from 160°F to 210°F (factory pre-set at 200°F)                  |
| Insulation                  | Meets U.L. 94HF-1 flammability specification  |
| Recommended Supply Pressure | 30-125 psi  |
| Shipping Weight             | Approximately 7.7 lbs.  |

### Sample Specification

Instant hot water dispenser(s) shall be equipped with an InSinkErator Model HWT-F1000S stainless steel tank with filtration, adjustable temperature from 160°F to 210°F and instant, self-closing hot valve.

#### In-Home Parts and Service Warranty\*

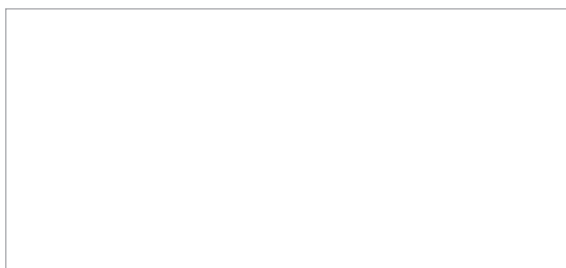
Tank: 3-years

Filtration System: 1-year

(excluding replaceable filter cartridge)

\* The complete InSinkErator warranty is included in the Care & Use booklet packed with each unit.

### Job Specifications



US Pat. D532,497 S (tank enclosure)



Complies with California Lead Plumbing Law

USA

1-800-558-5700

www.insinkerator.com

Canada

1-800-561-1700

www.insinkerator.ca



**EMERSON**  
Commercial & Residential Solutions

The Emerson logo is a trademark and a service mark of Emerson Electric Co. InSinkErator may make improvements and/or changes in the specifications at any time, in its sole discretion, without notice or obligation and further reserves the right to change or discontinue models.

© 2016 InSinkErator, InSinkErator® is a business unit of Emerson Electric Co. All Rights Reserved.