



Vent Supplement



instinct

SOLO 110-155-199 & COMBI 155-199

⚠ NOTICE

The installation must conform to the requirements of the authority having jurisdiction or, in the absence of such requirements, to the National Fuel Gas

Code, ANSI Z223.1/ NFPA 54, and/or Natural Gas and Propane Installation Code, CAN/CSA B149.1.

⚠ WARNING

This document is intended to be used by a factory trained and qualified heating contractor or service technician only. Read all Instructions within this document and within the relevant Boiler Installation and Maintenance Manual

before proceeding. It is recommended to follow the procedures in the steps given. Skipping or missing procedural steps could result in substantial property damage, serious injury, or death.



INTENTIONALLY LEFT BLANK

TABLE OF CONTENTS

PRODUCT AND SAFETY INFORMATION.....	VII
CHAPTER 1 - PRE-INSTALLATION REQUIREMENTS	1
1.1. Ventilation and Combustion Air Requirements.....	1
1.2. Removal of an Existing Boiler from a Common Vent System	2
1.3. Vent/Combustion Air Piping and Materials.....	2
1.3.1 PVC and CPVC Vent and Combustion Air Piping and Fittings.....	3
1.3.2 PVC and CPVC Pipe Cement and Primer	3
1.3.3 AL29-4C® Stainless Steel Vent Piping and Fittings	3
1.3.4 Polypropylene (PP) Vent Piping and Fittings	3
1.4. Vent/Combustion Air Equivalent Lengths	4
1.5. Vent Restrictions	4
1.5.1 2 Inch (60 mm) Vent System Restrictions	4
1.5.2 Rigid Polypropylene Vent System Restrictions	5
1.5.3 Flex Polypropylene Vent System Restrictions	5
1.6. Combustion Air Contamination	6
CHAPTER 2 - DIRECT VENT INSTALLATION OF VENT/AIR PIPING	11
2.1. Direct Vent - Vertical - Through the Roof or Unused Chimney	11
2.1.1 Determine Termination Location	11
2.1.2 Direct Vent - Vent Installation - Through the Roof.....	12
2.1.3 Termination Fittings - Through the Roof	13
2.1.4 Direct Vent - Multiple Boiler Installation - Through the Roof.....	13
2.2. Direct Vent - Horizontal - Sidewall	15
2.2.1 Determine Termination Location	15
2.2.2 Direct Vent - Vent Installation - Sidewall	16
2.2.3 Termination Fittings - Sidewall	16
2.2.4 Direct Vent - Multiple Boiler Installation - Sidewall.....	18
2.3. Direct Vent - Vertical Vent and Sidewall Combustion Air.....	20
2.3.1 Determine Termination Location	20
2.3.2 Direct Vent - Vent Installation - Through the Roof.....	21
2.3.3 Direct Vent - Combustion Air Installation - Sidewall	21
2.3.4 Termination Fittings - Vertical & Sidewall	22
2.3.5 Direct Vent - Multiple Boiler Installation - Vertical Vent and Sidewall Combustion Air	22
CHAPTER 3 - CATEGORY IV (INDOOR AIR) INSTALLATION OF VENT/AIR PIPING	23
3.1. Category IV - Vertical - Through the Roof or Unused Chimney	24
3.1.1 Determine Termination Location	24
3.1.2 Category IV - Vent Installation - Through the Roof.....	25
3.1.3 Termination Fittings - Through the Roof	25
3.1.4 Category IV - Multiple Boiler Installation - Through the Roof.....	26

TABLE OF CONTENTS

- 3.2. Category IV - Horizontal - Sidewall 26
 - 3.2.1 Determine Termination Location 26
 - 3.2.2 Category IV - Vent Installation - Sidewall 28
 - 3.2.3 Termination Fittings - Sidewall 28
 - 3.2.4 Category IV - Multiple Boiler Installation - Sidewall..... 28
- CHAPTER 4 - INSTALLATION REQUIREMENTS29**
- 4.1. Vent/Combustion Air Transitions 29
 - 4.1.1 3" (80 mm) to 2" (60 mm) Transitions 29
- 4.2. Connect Piping to INSTINCT 30
- 4.3. Vent and Combustion Air Piping Installation..... 30
 - 4.3.1 PVC/CPVC Vent System..... 30
 - 4.3.2 Polypropylene or AL29-4C® Stainless Steel Vent Systems 31
- 4.4. Carbon Monoxide Detector Installation 31
- CHAPTER 5 - COMMONWEALTH OF MASSACHUSETTS INSTALLATION REQUIREMENTS..... 33**
- 5.1. Installation of Carbon Monoxide Detectors. 33
- 5.2. Approved Carbon Monoxide Detectors. 33
- 5.3. Signage 33
- 5.4. Inspection. 33
 - 5.4.1 Exemptions 33
 - 5.4.2 Manufacturer Requirements - Gas Equipment Venting System Provided. 33
 - 5.4.3 Manufacturer Requirements - Gas Equipment Venting System Not Provided. 34

INDEX OF ILLUSTRATIONS AND TABLES

Fig. 1 - Direct Vent - Vertical Termination of Vent and Combustion Air Piping.....	12
Fig. 2 - Termination Clearances of Direct Vent System	13
Fig. 3 - Vertical Vent Bird Screen Installation	14
Fig. 4 - Vertical Combustion Air Bird Screen Installation	14
Fig. 5 - Direct Vent - Vertical Termination of Multiple INSTINCT Boilers.....	14
Fig. 6 - Direct Vent - Sidewall Termination of Vent and Combustion Air Piping.....	17
Fig. 7 - Direct Vent - Alternate Sidewall Termination of Vent and Combustion Air Piping.....	17
Fig. 8- Direct Vent - Sidewall Snorkel Termination of Vent and Combustion Air Piping.....	17
Fig. 9 - Sidewall Vent Bird Screen Installation	18
Fig. 10 - Sidewall Combustion Air Bird Screen Installation	18
Fig. 11 - Direct Vent - Sidewall Termination of Multiple INSTINCT Boilers.....	19
Fig. 12 - Direct Vent - Vertical Vent and Side Wall Combustion Air Terminations.....	19
Fig. 13 - Direct Vent - Vertical Vent and Sidewall Combustion Air Terminations of Multiple INSTINCT Boilers	22
Fig. 14 - Ventilation and Combustion Requirements Sticker Placed on the Appliance	23
Fig. 15 - Category - IV - Vertical Termination of Vent Pipe.....	24
Fig. 16 - Termination Clearances of Category IV System.....	25
Fig. 17 - Category IV- Vertical Termination of Multiple INSTINCT Boilers.....	26
Fig. 18 - Category IV - Sidewall Termination of Vent Pipe	27
Fig. 19 - Category IV - Sidewall Snorkel Termination of Vent Pipe.....	27
Fig. 20 - Category IV - Sidewall Termination of Multiple INSTINCT Boilers	28
Fig. 21 - 2" (60 mm) CPVC/PVC Venting System Vertical	29
Fig. 22 - 2" (60 mm) CPVC/PVC Venting System Horizontal.....	29
Table 1 - Maximum Allowable Vent or Combustion Air Piping Length.....	4
Table 2 - Approved AL29-4C® Stainless Steel Vent Adapters and Terminations	6
Table 3 - Approved 2" (60 mm) Rigid Polypropylene Components	7
Table 4 - Approved 3" (80 mm) Rigid Polypropylene Components.....	8
Table 5 - Approved 2" (60 mm) Flex Polypropylene Components.....	9
Table 6 - Approved 3" (80 mm) Flex Polypropylene Components.....	9

INTENTIONALLY LEFT BLANK

PRODUCT AND SAFETY INFORMATION

DEFINITIONS

The following terms are used throughout this manual to bring attention to the presence of potential hazards or to important information concerning the product.

DANGER

Indicates the presence of a hazardous situation which, if ignored, will result in substantial property damage, serious injury, or death.

WARNING

Indicates a potentially hazardous situation which, if ignored, can result in substantial property damage, serious injury, or death.

CAUTION

Indicates a potentially hazardous situation which, if ignored, can result in minor property damage or injury.

NOTICE

Indicates special instructions on installation, operation or maintenance, which are important to the equipment but not related to personal injury hazards.

BEST PRACTICE

Indicates recommendations made by Triangle Tube for the installers which will help to ensure optimum operation and longevity of the equipment.

HOMEOWNER

- This manual is intended for use by a qualified heating contractor or service technician.
- Please refer to the User Information manual for additional information.
- Ensure this document and all pertaining documents are kept near the boiler to be used by the qualified heating contractor or service technician for future reference.

INSTALLER

WARNING

Read all instructions as outlined in this manual and in the boiler installation manual. Failure to comply with these instructions in the order presented can result in substantial property damage, serious injury, or death.

This document is a supplement to the INSTINCT Boiler Installation and Maintenance manual. The purpose of this supplement is to ensure the proper installation of the vent and combustion air piping to the boiler.

NOTICE

This vent supplement outlines Direct Vent and Category IV (Indoor Air) installations using PVC, CPVC, PP and SS materials. For other venting options (materials, terminations, etc.), contact Triangle Tube.

DANGER

A byproduct of any gas fired appliance is carbon monoxide. Triangle Tube requires the installation of a minimum of two (2) hard-wired carbon monoxide detectors with an alarm and battery back-up; one in the mechanical room where the boiler is located and another installed in the living area outside the bedroom(s) for all installations. Consult the local authority having jurisdiction for any additional carbon monoxide detector requirements in your area. See Chapter 5 on page 33 for additional carbon monoxide detector requirements in Massachusetts.

All INSTINCT vent and combustion air piping must be installed, terminated and joints sealed as outlined in this manual.

Failure to comply with installation procedures outlined in this manual may result in substantial property damage, serious injury, or death.

NOTICE

Triangle Tube reserves the right to modify the technical specifications and components of its products without prior notice. Check for an updated version of this manual at www.triangletube.com.

INTENTIONALLY LEFT BLANK

CHAPTER 1 - PRE-INSTALLATION REQUIREMENTS

1.1. Ventilation and Combustion Air Requirements

The INSTINCT boiler is classified as a Category IV appliance. This utilizes uncontaminated indoor or outdoor air for appliance combustion.

A direct vent installation uses the outdoor air. Air supply, combustion chamber, heat exchanger and evacuation of POC (products of combustion) for this type of appliance is sealed with respect to the room in which the appliance is installed.

An indirect installation uses uncontaminated indoor air for appliance combustion.



In the case of Indirect vent installation, the space must be provided with ventilation / combustion air openings properly sized for all make-up air requirements (exhaust fans, clothes dryers, fireplaces, etc.) and the total input of all appliances, including the INSTINCT when located in the same space.

Failure to provide or properly size the openings can result in substantial property damage, serious injury, or death.

For installations in which the INSTINCT shares the space with air movers (exhaust fan, clothes dryers, fireplaces, etc.) and other combustion equipment (gas or oil) the space must be provided with adequate air openings to provide ventilation and combustion air to the equipment. To properly size the ventilation / combustion air openings, the installer must comply with the National Fuel Gas Code (NFPA 54 / ANSI Z223.1) for installations in the U.S. or CAN/CSA B149.1 for installations in Canada.



When the air for combustion is taken from the room air grilles must be installed by the contractor. The air grilles should be sized in accordance with ANSI Z223.1/ NFPA54 and/ or Natural Gas and Propane Installation Code CAN/CSA B149.1.

The grille providing air when taking air directly from the room should be identified to the consumer and the importance of ensuring that the grilles are not restricted or blocked in any way clearly explained to the consumer. The grilles should be clearly labeled "AIR SUPPLY, DO NOT COVER OR RESTRICT. FAILURE TO PROVIDE ADEQUATE AIR FOR COMBUSTION COULD RESULT IN SERIOUS INJURY, OR DEATH."

A byproduct of any gas fired appliance is carbon monoxide (CO), which can be a health hazard when its concentration in the ambient air is too high.



Triangle Tube recommends the installation of a minimum of two (2) hard-wired carbon monoxide (CO) detectors with an alarm and battery back-up; one in the mechanical room where the boiler is located and another installed in the living area outside the bedroom(s) for all installations. Consult the local authority having jurisdiction for any additional carbon monoxide detector requirements in your area. See Chapter 5 of the *INSTINCT Installation & Maintenance Manual* for additional carbon monoxide detector requirements in Massachusetts.

Failure to comply with these instructions may result in substantial property damage, serious injury, or death.

CHAPTER 1 - PRE-INSTALLATION REQUIREMENTS

1.2. Removal of an Existing Boiler from a Common Vent System



Do not install the INSTINCT into a common vent with any other gas or oil appliances. This will cause flue gas spillage or appliance malfunction, resulting in substantial property damage, serious injury, or death.

When an existing boiler is removed from a common venting system, the common venting system is likely to be too large for proper venting of the remaining appliances. At the time of removal of an existing boiler, the following steps shall be followed with each appliance remaining connected to the common venting system placed in operation, while the other appliances remaining connected to the common venting system are not in operation.

1. Seal any unused openings in the common venting system.
2. Visually inspect the venting system for proper size and horizontal pitch and determine there is no blockage or restriction, leakage, corrosion and other deficiencies which could cause an unsafe condition.
3. Insofar as is practical close all building doors and windows and all doors between the space in which the appliances remaining connected to the common venting system are located and other spaces of the building. Turn on clothes dryers and any appliance not connected to the common venting system. Turn on any exhaust fans, such as range hoods and bathroom exhausts, so they will operate at maximum speed. Do not operate a summer exhaust fan. Close fireplace dampers.
4. Place in operation the appliance being inspected. Follow the lighting instructions. Adjust thermostat so appliance will operate continuously.
5. Test for spillage at the draft hood relief opening after 5 minutes of main burner operation. Use the flame of a match or candle, or smoke from a cigarette, cigar or pipe.
6. After it has been determined that each appliance remaining connected to the common venting system properly vents when tested as outlined above, return doors, windows, exhaust fans, fireplace dampers and any other gas-burning appliance to their previous condition of use.
7. Any improper operation of the common venting system should be corrected so the installation conforms with the National Fuel Gas Code, ANSI Z223.1/NFPA 54 and/or CAN/CSA B149.1, Installation Codes. When resizing any portion of the common venting system, the common venting system should be resized to approach the minimum size as determined using the appropriate tables in Part 11 of the National Fuel Gas Code, ANSI Z223.1/NFPA 54 and/or CAN/CSA B149.1, Installation Codes.

1.3. Vent/Combustion Air Piping and Materials

NOTICE

- The INSTINCT appliance is supplied with an acoustic dampening foam rubber insert located in the appliance air inlet adaptor. **DO NOT** remove this at installation.
- For INSTINCT 110 & 155 Models only, propane conversions require an additional acoustic foam insert to be fitted within the combustion air piping. Consult LP Conversion Instructions for proper fitting.
- The installation must conform to the requirements of the authority having jurisdiction or, in the absence of such requirements, to the National Fuel Gas Code, ANSI Z223.1/NFPA 54, and/or Natural Gas and Propane Installation Code, CAN/CSA B149.1.

The INSTINCT is certified per ANSI Z21.13 as a Category IV (indoor air) or Direct Vent (sealed combustion) appliance. A Category IV appliance utilizes uncontaminated indoor or outdoor air (surrounding the appliance) for combustion. A Direct Vent appliance utilizes uncontaminated outdoor air (piped directly to the appliance) for combustion.

BEST PRACTICE

To reduce the potential risks associated with indoor contaminants (listed in Section 1.6 - pages 5 & 6), flammable vapors and tight housing construction (little or no infiltration air), it is recommended to pipe uncontaminated combustion air directly from the outdoors to the appliance. This practice also promotes higher system efficiency by reducing heated indoor air from being exhausted from the building and replaced by cold infiltration air.

The INSTINCT requires a Category IV venting system which is designed for pressurized venting and condensate.



The vent and combustion air materials (piping, fittings and cement) must meet the listed requirements in this manual.

Failure to comply with these material requirements can result in substantial property damage, serious injury, or death.

CHAPTER 1 - PRE-INSTALLATION REQUIREMENTS

1.3.1 PVC and CPVC Vent and Combustion Air Piping and Fittings

- PVC Schedule 40 - ANSI/ASTM D1785
- PVC-DWV - ANSI/ASTM D2665
- CPVC Schedule 40 - ANSI/ASTM F441

1.3.2 PVC and CPVC Pipe Cement and Primer

- PVC - ANSI/ASTM D2564
- CPVC - ANSI/ASTM F493

NOTICE

- *For installations in Canada, all piping, fittings and cement/primer material must be certified and listed to ULC-S636. Ipex Inc. is an approved manufacturer of ULC S636 vent components.*
- *Use of cellular core PVC (ASTM F891) cellular core CPVC, or Radel® (polyphenolsulfone) in venting systems is prohibited. Cellular core pipe may be used for combustion air piping.*



DO NOT mix a PVC/CPVC vent system & components with other vent system materials & components. Seal all PVC and CPVC pipe and fittings with the appropriate primer and cement.

Failure to comply with this requirement can cause the venting system to fail resulting in substantial property damage, serious injury, or death.

1.3.3 AL29-4C® Stainless Steel Vent Piping and Fittings

Approved AL29-4C® Stainless Steel vent manufacturers and vent systems:

- SelKirk/Heatfab
- DuraVent
- Z-FLEX U.S. Inc.

Only use approved AL29-4C® stainless steel vent adapters and terminations listed in *Table 2 on page 6*.



Contact approved AL29-4C® Stainless Steel vent manufacturer for a copy of their installation instructions. Read, understand and follow all of the vent manufacturer's instructions before beginning the installation. Contact vent manufacturer if you require any technical support.

Failure to properly install and support vent system can cause the venting system to fail, resulting in substantial property damage, serious injury, or death.

NOTICE

When using AL29-4C® stainless steel for the vent system, PVC or CPVC pipe meeting the listed requirements in this manual may be utilized for the combustion air piping.

1.3.4 Polypropylene (PP) Vent Piping and Fittings

Approved polypropylene vent manufacturers and vent systems:

- Centrotherm Eco Systems, LLC
- DuraVent
- Z-Flex U.S. Inc.
- ECCO Manufacturing

Only use approved polypropylene components listed in *Table 3 on page 7* to *Table 6 on page 9*. Termination must be selected from the options shown in this manual, using UV-resistant polypropylene.



Contact approved polypropylene vent manufacturer for a copy of their installation instructions. Read, understand and follow all of the vent manufacturer's instructions before beginning the installation. Contact vent manufacturer if you require any technical support.

Failure to properly install and support vent system can cause the venting system to fail, resulting in substantial property damage, serious injury, or death.

CHAPTER 1 - PRE-INSTALLATION REQUIREMENTS

NOTICE

- A specific vent adapter may be required to transition from the boiler vent outlet adapter to the specific polypropylene vent system. Contact the appropriate PP vent manufacturer for transition adapter information.
- When using Polypropylene for the vent system, PVC or CPVC pipe meeting the listed requirements in this manual may be utilized for the combustion air piping.

1.4. Vent/Combustion Air Equivalent Lengths

- For all venting applications, PVC/CPVC, AL29-4C® Stainless Steel or Polypropylene, the length must not exceed the lengths listed in *Table 1 below*.

NOTICE

- The 90° elbows used to terminate the combustion air inlet and vent outlet exterior of the building have been accounted for in the maximum allowable vent or combustion air piping length provided in *Table 1 below*.
- For PVC/CPVC or AL29-4C® Stainless Steel vent systems, reduce the maximum allowable length from *Table 1* for each elbow as follows:
 - 3 feet (0.9 m) for every 45° elbow
 - 5 feet (1.5 m) for every 90° elbow
- For polypropylene vent systems, reduce the maximum allowable length from *Table 1* for each elbow as follows:
 - 5 feet (1.5 m) for every 45° elbow
 - 10 feet (3 m) feet for every 90° elbow

1.5. Vent Restrictions

1.5.1 2 Inch (60 mm) Vent System Restrictions

- The 2 inch (60 mm) vent system requires a 1 inch (2.5 cm) clearance to combustibles.
- Use long sweep elbows to limit pressure drop and to avoid excessive vent temperatures.
- In 2 inch (60 mm) PVC vent applications, the first 7 equivalent feet of the vent system must utilize CPVC material.



To avoid vent failure, the installer must use CPVC vent material for the first 7 equivalent feet of a 2 inch (60 mm) PVC vent system. The installer must also utilize primer and glue that is certified for both PVC/CPVC materials.

Failure to comply with this requirement can cause the venting system to fail, resulting in substantial property damage, serious injury, or death.

NOTICE

- The 3 x 2 Inch reducer required for 2 Inch venting has been accounted for in the maximum allowable vent or combustion air piping length provided in *Table 1 below*.

NOTICE

- LP Conversions of all Instinct models **MUST** be installed using a 3" (80 mm) vent/combustion air system.

Table 1 - Maximum Allowable Vent or Combustion Air Piping Length

INSTINCT Model	2 Inch [60 mm] Piping		OR	3 Inch [80 mm] Piping	
	Feet	Elbows		Feet	Elbows
Solo 110	28	0		100	0
Solo 155	28	0		100	0
Solo 199	N/A	N/A		100	0
Combi 155	28	0		100	0
Combi 199	N/A	N/A		100	0

** 2" (60 mm) option only available for Natural Gas Installations*

CHAPTER 1 - PRE-INSTALLATION REQUIREMENTS

1.5.2 Rigid Polypropylene Vent System Restrictions



Contact approved polypropylene vent manufacturer for a copy of their installation instructions. Read, understand and follow all of the vent manufacturer's instructions before beginning the installation. Contact vent manufacturer if you require any technical support.

Failure to properly install and support vent system can cause the venting system to fail, resulting in substantial property damage, serious injury, or death.

- Rigid polypropylene vent pipe must be installed with approved locking band clamps or connector rings and supports (wall strap or clamp, elbow or base, etc.). Consult vent manufacturer for complete list of required parts.
- Maintain 5/8" [1.6 cm] per foot slope back toward appliance on all horizontal runs.
- The use of a wall plate is required to seal rigid polypropylene vent pipe at the entrance of the chimney or chase to prevent mortar or cement from contacting the polypropylene vent pipe.
- Any termination piping external to the building must be UV resistant.
- Do not apply insulation directly to vent. Maintain vent manufacturers clearances to combustibles.
- Plastic venting systems shall not pass through rated fire separations without approved fire stopping installed in accordance with fire stopping manufacturers instructions.
- Prior to assembly of any joints, ensure joint gasket is present and properly installed. Contact vent manufacturer if gasket is missing or damaged. Verify the integrity of joints upon completion of the vent system.

1.5.3 Flex Polypropylene Vent System Restrictions

- 2" [60 mm] Flex polypropylene venting is limited up to the INSTINCT Solo 110.



Contact approved polypropylene vent manufacturer for a copy of their installation instructions. Read, understand and follow all of the vent manufacturer's instructions before beginning the installation. Contact vent manufacturer if you require any technical support.

Failure to properly install and support vent system can cause the venting system to fail, resulting in substantial property damage, serious injury, or death.

- Approved for vertical installations only, where a clean, structurally sound unused chimney or chase is used as a raceway.
- Vertical offsets must not exceed 45° and are limited to a maximum number of 2.
- Requires rigid polypropylene vent pipe with approved locking band clamps or connector rings and wall straps or support clamps from the appliance to the entrance of the chimney or chase.
- Maintain 5/8" [1.6 cm] per foot slope back toward appliance on all horizontal runs of rigid polypropylene vent pipe.
- The use of a wall plate is required to seal rigid polypropylene vent pipe at the entrance of the chimney or chase to prevent mortar or cement from contacting the polypropylene vent pipe.
- Requires supports (elbow or base, flex chimney and bracket), spacers, chimney cap and end pipe. Consult vent manufacturer for complete list of required parts.
- Any termination piping external to the building must be UV resistant.
- Do not apply insulation directly to vent. Maintain vent manufacturers clearances to combustibles.
- Flex plastic venting systems shall not pass through rated fire separations.
- Prior to assembly of any joints, ensure joint gasket is present and properly installed. Contact vent manufacturer if gasket is missing or damaged. Verify the integrity of joints upon completion of the vent system.

CHAPTER 1 - PRE-INSTALLATION REQUIREMENTS

1.6. Combustion Air Contamination



If the INSTINCT combustion air inlet is located in an area likely to cause or contain contamination, or if products which could contaminate the air cannot be removed, the combustion air must be repiped and terminated at another location. Contaminated combustion air will damage the unit and its burner system, and can result in substantial property damage, serious injury, or death.



Do not operate the INSTINCT if the combustion air inlet is located near a laundry room or pool facility. These areas will always contain hazardous contaminants.

Pool, laundry, common household, and hobby products often contain fluorine or chlorine compounds. When these chemicals pass through the burner and vent system, they can form strong acids. These acids will corrode the heat exchanger, burner components, and vent system, causing serious damage and possible flue gas spillage or water leakage into the surrounding area.

Please read the information listed on the right. If contaminating chemicals are located near the area of the combustion air inlet, the installer must pipe the combustion air inlet to an area free of these chemicals.

Failure to comply with these instructions will result in substantial property damage, serious injury, or death.



If the combustion air is taken from the room, an air grille must be installed to provide air for combustion. The air grilles should be sized in

accordance with ANSI Z223.1/ NFPA54 and/ or Natural Gas and Propane Installation Code CAN/CSA B149.1.

The grilles providing air supply taken from within the property should be clearly labeled "AIR SUPPLY, DO NOT COVER OR RESTRICT. FAILURE TO PROVIDE ADEQUATE AIR FOR COMBUSTION COULD RESULT IN SERIOUS INJURY, OR DEATH."

Potential contaminating products

- Spray cans containing chloro/fluorocarbons
- Permanent Wave Solutions
- Chlorinated wax
- Chlorine based swimming pool chemicals / cleaners
- Calcium Chloride used for thawing ice
- Sodium Chloride used for water softening
- Refrigerant leaks
- Paint or varnish removers
- Hydrochloric acid / muriatic acid
- Cements and glues
- Antistatic fabric softeners used in clothes dryers
- Chlorine-type bleaches, detergents, and cleaning solvents found in household laundry rooms
- Adhesives used to fasten building products and other similar products

Areas likely to contain these products

- Dry cleaning / laundry areas and establishments
- Beauty salons
- Metal fabrication shops
- Swimming pools and health spas
- Refrigeration Repair shops
- Photo processing plants
- Auto body shops
- Plastic manufacturing plants
- Furniture refinishing areas and establishments
- New building construction
- Remodeling areas
- Garages with workshops

Table 2 - Approved AL29-4C® Stainless Steel Vent Adapters and Terminations

Description	SelKirk / Heatfab Saf-T Vent EZ Seal or Saf-T Vent SC	DuraVent FasNSeal or CVS	Z-Flex U.S. Inc. Z-Vent
3" Vent Adapter	Not required	Not required	Not required
3" Roof & Side Wall Straight Termination	9392	300186	2SVSTPF03
3" Side Wall & 45° Elbow Termination	9311TERM	300130 & 300186	2SVSTEX0345
3" Side Wall Tee Termination	9390TEE	300311	2SVSTTF03

CHAPTER 1 - PRE-INSTALLATION REQUIREMENTS

Table 3 - Approved 2" (60 mm) Rigid Polypropylene Components

Description	Centrotherm Eco Systems, LLC	DuraVent	Z-Flex U.S. Inc.	ECCO Manufacturing
3" (80 mm) Appliance Vent Adapter	ISAAL0303	3PPS-03PVC-2PPF	2ZDCPVC3	3PPSSAD
3" (80 mm) to 2" (60 mm) Reducer	ISRD0302	N/A	2ZDR32	302PRED
2" (60 mm) Roof Termination - UV Resistant	ISEP02 (20" or 50 cm) or ISEP0239 (39" or 100 cm)	2PPS-12BC (12" or 30 cm) or 2PPS-36BC (36" or 91 cm)	2ZDP212UV (10" or 25 cm) or 2ZDP224UV (22" or 60 cm)	212PPPB (10" or 25 cm) or 224PPPB (22" or 60 cm)
2" (60 mm) Side Wall, 45° Elbow Termination - UV Resistant	ISELL0245UV	2PPS-E45BC	2ZDE245UV	245PELB
2" (60 mm) Side Wall, Tee Termination - UV Resistant	ISTT0220	2PPS-TBC	2ZDTT2	N/A
2" (60 mm) Side Wall Pipe Lengths - UV Resistant	ISVL022UV (24" or 61 cm)	2PPS-12BC (12" or 30 cm) or 2PPS-36BC (36" or 91 cm)	2ZDP212UV (10" or 25 cm) or 2ZDP224UV (22" or 60 cm)	212PPPB (10" or 25 cm) or 224PPPB (22" or 60 cm)
2" (60 mm) Side Wall, 90° Elbow - UV Resistant	ISELL0287UV	2PPS-E90BC or 2PPS-E90EBC	2ZDE287UV	287PELB
2" (60 mm) Bird Guard Screen - UV Resistant	IASPP02	2PPS-BG	2ZDES2	2PPWG
2" (60 mm) Locking Band Clamp or Connector Ring	IANS02	2PPS-LC	2ZDLC2	2PPLC
2" (60 mm) Wall Strap or Support Clamp	IASCM02	2PPS-WSM1 (galvanized) or 2PPS-WSM-SS1 (stainless steel)	2ZDFB2	2PPB
2" (60 mm) Wall Plate	IAWP02BP	2PPS-WPB	2ZDWPB2	2PPWTK

CHAPTER 1 - PRE-INSTALLATION REQUIREMENTS

Table 4 - Approved 3" (80 mm) Rigid Polypropylene Components

Description	Centrotherm Eco Systems, LLC	DuraVent	Z-Flex U.S. Inc.	ECCO Manufacturing
3" (80 mm) Appliance Vent Adapter	ISAAL0303	N/A	ZZDCPVC3	3PPSSAD
3" (80 mm) Roof Termination - UV Resistant	ISEP03 (20" or 50 cm) or ISEP0339 (39" or 100 cm)	3PPS-12BC (12" or 30 cm) or 3PPS-36BC (36" or 91 cm)	ZZDP312UV (10" or 25 cm) or ZZDP324UV (22" or 60 cm)	312PPPB (10" or 25 cm) or 324PPPB (22" or 60 cm)
3" (80 mm) Side Wall, 45° Elbow Termination - UV Resistant	ISELL0345UV	3PPS-E45BC	2ZDE345UV	345PELB
3" (80 mm) Side Wall, Tee Termination - UV Resistant	ISTT0320	3PPS-TBC	2ZDTT3	N/A
3" (80 mm) Side Wall Pipe Lengths - UV Resistant	ISVL032UV (24" or 61 cm)	3PPS-12BC (12" or 30 cm) or 3PPS-36BC (36" or 91 cm)	ZZDP312UV (10" or 25 cm) or ZZDP324UV (22" or 60 cm)	312PPPB (10" or 25 cm) or 324PPPB (22" or 60 cm)
3" (80 mm) Side Wall, 90° Elbow - UV Resistant	ISELL0387UV	3PPS-E90BC or 3PPS-E90EBC	2ZDE387UV	387PELB
3" (80 mm) Bird Guard Screen - UV Resistant	IASPP03	3PPS-BG	2ZDES3	3PPWG
3" (80 mm) Locking Band Clamp or Connector Ring	IANS03	3PPS-LC	2ZDLC3	3PPLC
3" (80 mm) Wall Strap or Support Clamp	IASCM03	3PPS-WSM1 (galvanized) or 3PPS-WSM-SS1 (stainless steel)	2ZDFB3	3PPB
3" (80 mm) Wall Plate	IAWP03BP	3PPS-WPB	2ZDWPB3	3PPWTK

CHAPTER 1 - PRE-INSTALLATION REQUIREMENTS

Table 5 - Approved 2" (60 mm) Flex Polypropylene Components

Description	Centrotherm Eco Systems, LLC	DuraVent	Z-Flex U.S. Inc.	ECCO Manufacturing
3" (80 mm) Appliance Vent Adapter	ISAAL0303	3PPS-03PVCM-2PPF	2ZDCPVC3	3PPSSAD
3" (80 mm) to 2" (60 mm) Reducer	ISRD0302	N/A	2ZDR32	302PRED
2" (60 mm) Wall Plate	IAWP02BP	2PPS-WPB	Included in Flex Base Kit 2ZDFBK2	N/A
2" (60 mm) Chimney Support Elbow or Base Support or Flex Base Kit	ISBS0287	2PPS-SE90XC	2ZDFBK2	2PELCS
2" (60 mm) Support Bracket - Bottom of Chimney or Chase	Included with Base Support ISBS0287	PPS-SUP or 2PPS-SUP (Chimney)	Included in Flex Base Kit 2ZDFBK2	Included with Support Elbow 2PELCS
2" (60 mm) Support Bracket - Top of Chimney or Chase	N/A	2PPS-FSB	Included in Flex Chimney Liner Kit 2ZD2FLK2	2PPFFA
2" (60 mm) Spacer	IASP02	2PPS-S	Included in Flex Chimney Liner Kit 2ZD2FLK2	2PPFS
2" (60 mm) Chimney Cap or Cover & End Pipe - UV Resistant or Flex Chimney Liner Kit	ISCP02 & IFEP02	2PPS-FCTC	2ZD2FLK2	2PPFK

Table 6 - Approved 3" (80 mm) Flex Polypropylene Components

Description	Centrotherm Eco Systems, LLC	DuraVent	Z-Flex U.S. Inc.	ECCO Manufacturing
3" (80 mm) Appliance Vent Adapter	ISAAL0303	Not required	2ZDCPVC3	3PPSSAD
3" (80 mm) Wall Plate	IAWP03BP	3PPS-WPB	Included in Flex Base Kit 2ZDFBK3	N/A
3" (80 mm) Chimney Support Elbow or Base Support or Flex Base Kit	ISBS0387	3PPS-SE90XC	2ZDFBK3	3PELCS
3" (80 mm) Support Bracket - Bottom of Chimney or Chase	Included with Base Support ISBS0387	PPS-SUP or 3PPS-SUP (Chimney)	Included in Flex Base Kit 2ZDFBK3	Included with Support Elbow 3PELCS
3" (80 mm) Support Bracket - Top of Chimney or Chase	N/A	3PPS-FSB	Included in Flex Chimney Liner Kit 2ZD2FLK3	3PPFFA
3" (80 mm) Spacer	IASP03	3PPS-S	Included in Flex Chimney Liner Kit 2ZD2FLK3	3PPFS
3" (80 mm) Chimney Cap or Cover & End Pipe - UV Resistant or Flex Chimney Liner Kit	ISCP03 & IFEP03	3PPS-FCTC	2ZD2FLK3	3PPFK

INTENTIONALLY LEFT BLANK

CHAPTER 2 - DIRECT VENT INSTALLATION OF VENT/AIR PIPING

A Direct Vent appliance utilizes uncontaminated outdoor air (piped directly to the appliance) for combustion.

2.1. Direct Vent - Vertical - Through the Roof or Unused Chimney

NOTICE

- *The installation must conform to the requirements of the authority having jurisdiction or, in the absence of such requirements, to the National Fuel Gas Code, ANSI Z223.1/NFPA 54, and/or Natural Gas and Propane Installation Code, CAN/CSA B149.1.*
- *When using an inoperative chimney as a means of a chase for the vent, the surrounding space within the chimney cannot be used to draw combustion air or vent another appliance.*



A gas vent extending through a roof must not terminate near an adjacent wall or below any building extensions such as roof eaves, balconies or decks.

Failure to comply with the required clearances in this manual can result in substantial property damage, serious injury, or death.

NOTICE

The information and diagrams outlining the fittings and method of terminating the vent/combustion air are directly related to PVC/CPVC vent systems. When utilizing an AL29-4C® Stainless Steel or Polypropylene vent system, there may be some variations. Consult the appropriate vent manufacturer for recommendations and clarifications.

2.1.1 Determine Termination Location

Locate the vent and combustion air termination using the following guidelines:

1. The total length of the vent or combustion air piping must not exceed the limits given in *Table 1 on page 4.*

NOTICE

The 90° elbows used to terminate the combustion air inlet and vent outlet exterior

of the building have been accounted for in the maximum allowable vent or combustion air piping length provided in Table 1.

2. The combustion air piping must terminate in an upside down “U” shape fashion using two 90° elbows, as shown in *Fig. 1 on page 12.* The termination must be located 12” [30.5 cm] (18” [45.7 cm] in Canada) above the highest anticipated snow level.
3. The vent piping must terminate vertically with a coupling to accept the bird screen and must be located 12” to 24” [30.5 cm to 61 cm] above the combustion air inlet as shown in *Fig. 1 on page 12.*
4. The vent and combustion air terminations must be located at a radial distance of 12” to 24” [30.5 cm to 61 cm] from centerline of vent termination to centerline of air termination as shown in *Fig. 1 on page 12.*
5. The following should be considered when determining the location of the vent and combustion air terminations:
 - a. Locate the vent termination where flue vapors will not damage surrounding shrubs, plants, air conditioning equipment or be objectionable to the homeowner.
 - b. The flue products will form a noticeable plume of water vapor as they condense in colder air. Avoid terminating the vent in areas where the plume could obstruct window views.
 - c. Prevailing winds could cause freezing of flue gas condensation and a buildup of water / ice on surrounding plants, building surfaces or combustion air inlet.
 - d. Avoid locations where prevailing winds could affect the performance of the boiler or cause recirculation of the flue gases, such as inside corners of buildings, near adjacent buildings, vertical surfaces, window wells, stairwells, alcoves, courtyards, or other recessed areas.
 - e. Do not terminate the vent above doors or windows, flue condensate could freeze causing ice formations.
 - f. Locate the vent termination to prevent possible condensate damage to exterior finishes.
 - g. Avoid locations of possible accidental contact of flue vapors with people or pets.

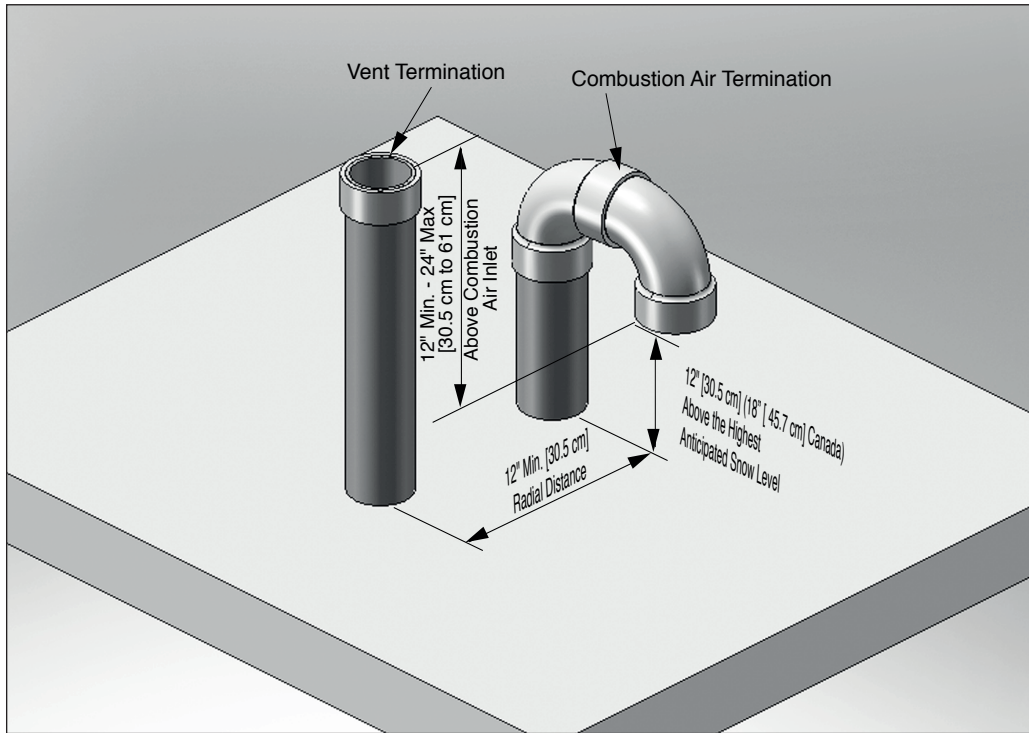


Fig. 1 - Direct Vent - Vertical Termination of Vent and Combustion Air Piping.

6. The vent termination must also maintain the following clearances, as shown in *Fig. 2 on page 13*:
 - a. At least 3 feet [0.9 m] from adjacent walls
 - b. At least 3 feet [0.9 m] below roof overhangs
 - c. At least 7 feet [2.1 m] above any public walkways
 - d. At least 3 feet [0.9 m] above any forced air intake within 10 feet [3 m] (does not apply to the combustion air inlet of a direct vent appliance).
 - e. No closer than 12" [30.5 cm] below or horizontally from any door, window or gravity air inlet.
 - f. Must be at least 4 feet [1.2 m] from any electric meters, gas meters-regulators, relief valves or other equipment. Never terminate the vent above or below any of these items within 4 feet [1.2 m] horizontally.
 - g. A minimum 12 inches [30.5 cm] horizontal spacing from other fan assisted appliance vents. Never terminate the vent above or below any fan assisted vent within 12 inches [30.5 cm] horizontally.
7. Locate the vent and combustion air terminations in a manner to protect from damage by foreign objects, such as stones, balls, or buildup of leaves or sediment.
8. Do not connect any other appliance to the vent pipe or multiple boilers to a common vent pipe.

2.1.2 Direct Vent - Vent Installation - Through the Roof

1. Vent and Combustion Air Penetration
 - Vent pipe penetration through combustible or non-combustible wall material must maintain a minimum 1/4" [6 mm] clearance for 3" [7.6 cm] PVC/CPVC vent or 1" [2.5cm] for 2" [60 mm] PVC/CPVC vent. The diameter of the penetration hole must be 4" [102 mm] minimum for 2" [60 mm] and 3" [80 mm] pipe. When using Polypropylene or AL29-4C® Stainless Steel Vent refer to vent manufacturer's Installation Instructions for clearances.
 - Combustion air pipe penetration can maintain zero clearance. The diameter of the penetration hole should be 2-3/8" [6 cm] minimum for 2" [60 mm] pipe or 3-1/2" [8.9 cm] minimum for 3" [80 mm] pipe.
2. The installer must use a galvanized metal thimble for the vent pipe penetration.
3. Locate the vent and combustion air pipe penetrations to provide clearances as described in *Fig. 1 on page 12*.
4. The installer must comply with all local codes for isolating the vent and combustion air pipes as they pass through floors, ceilings and roofs.
5. The installer must provide adequate flashing and sealing boots sized for the vent pipe and combustion air pipe.

CHAPTER 2 - DIRECT VENT INSTALLATION OF VENT/AIR PIPING

2.1.3 Termination Fittings - Through the Roof

1. The vent and combustion air terminations must include a factory supplied "bird screen" installed as shown in *Fig. 3* and *Fig. 4 on page 14*
2. The combustion air piping must terminate in an upside down "U" shape fashion using two 90° elbows as shown in *Fig. 1 on page 12*.
3. The vent piping must terminate vertically with a coupling as shown in *Fig. 1 on page 12*.



WARNING

Do not extend the vent pipe above the roof beyond the dimensions shown in *Fig. 1 on page 12*. Extended exposure of the vent pipe could cause condensate to freeze and block the vent pipe, resulting in substantial property damage, serious injury, or death.

2.1.4 Direct Vent - Multiple Boiler Installation - Through the Roof

1. On installations of multiple INSTINCT boilers, terminate each vent and combustion air pipe as described in this manual.
2. The roof penetration of the vent and combustion air piping must be such that the combustion air inlet is a minimum 12" [30.5 cm] from the adjacent vent pipe of the other boiler for installations in the U.S. as shown in *Fig. 5 on page 14*. For installations in Canada, provide clearances as required by CAN/CSA B149.1.

NOTICE

The combustion air inlet of the INSTINCT is defined as being part of a direct vent system. It is not considered as a forced air intake. The required clearance of an adjacent boiler vent to a forced air inlet does not apply in a multiple installation of INSTINCT boilers.

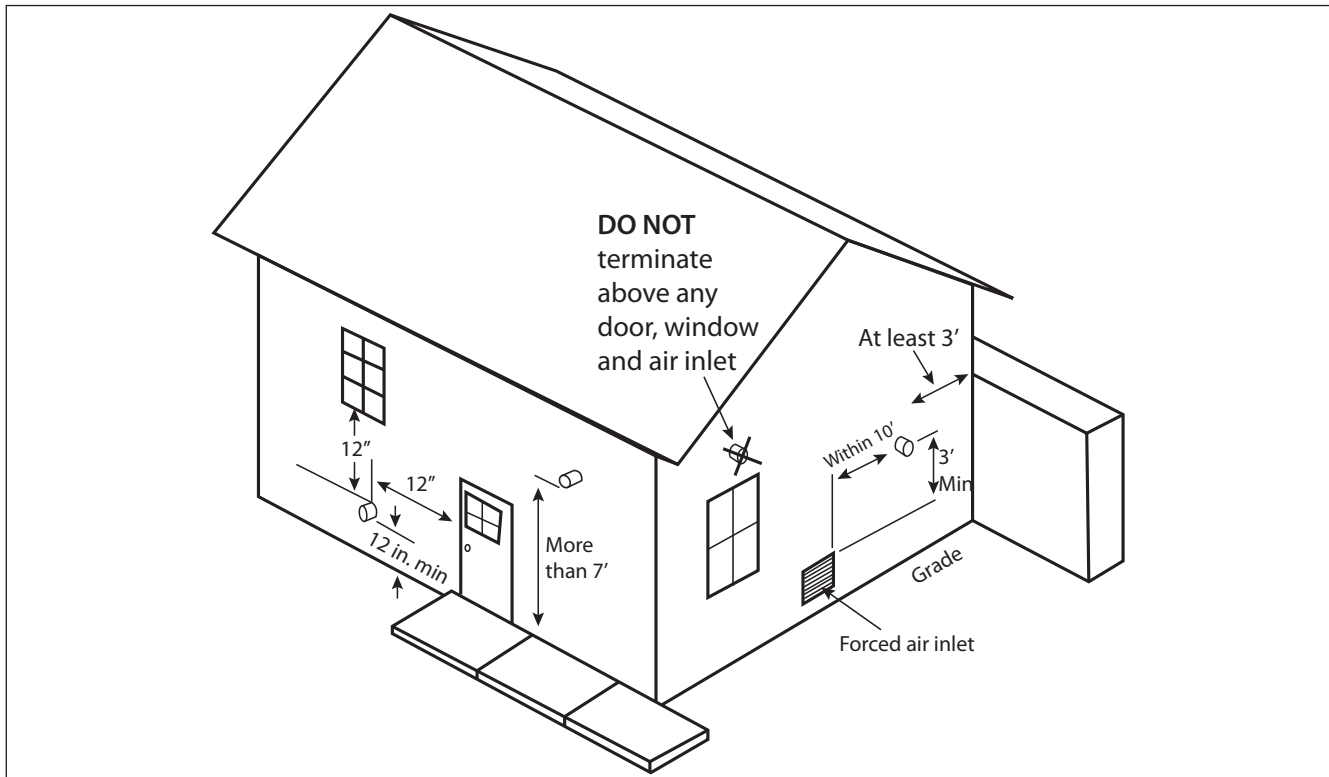


Fig. 2 - Termination Clearances of Direct Vent System

CHAPTER 2 - DIRECT VENT INSTALLATION OF VENT/AIR PIPING

CHAPTER 2

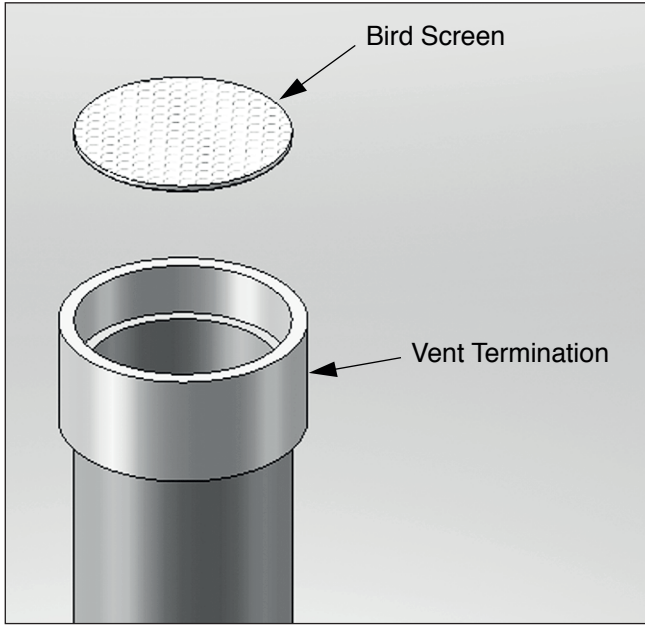


Fig. 3 - Vertical Vent Bird Screen Installation

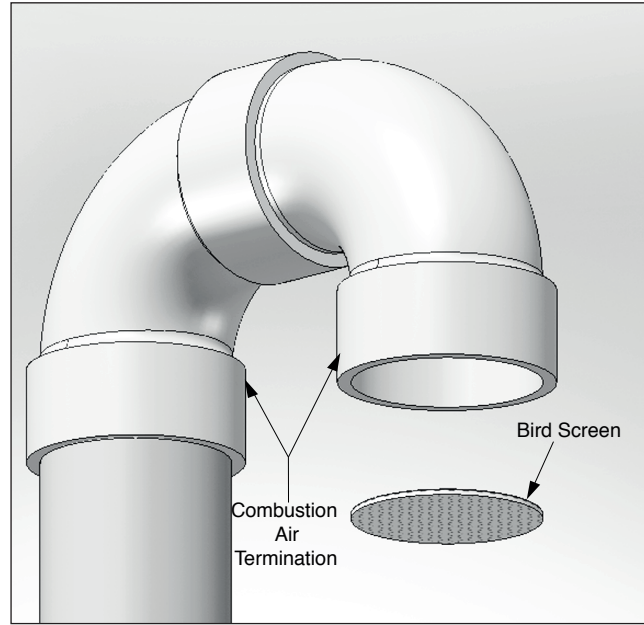


Fig. 4 - Vertical Combustion Air Bird Screen Installation

⚠ DANGER

The installer must install the factory supplied "bird screens" on the vent and combustion air terminations.

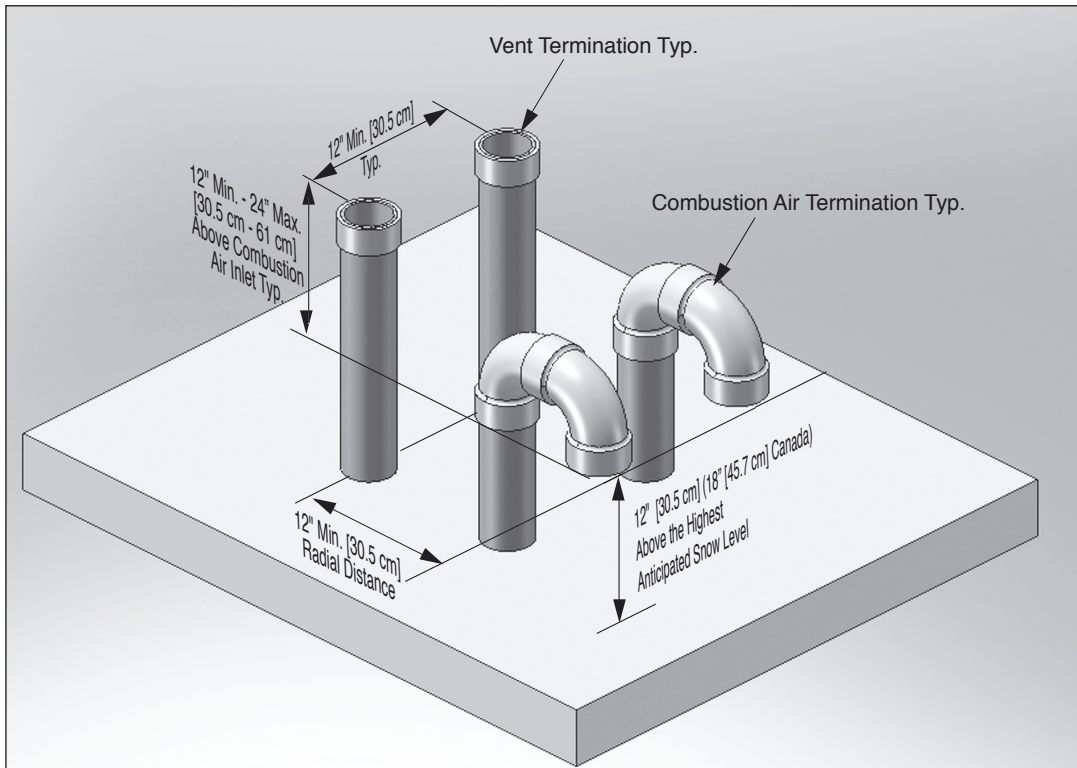


Fig. 5 - Direct Vent - Vertical Termination of Multiple INSTINCT Boilers

CHAPTER 2 - DIRECT VENT INSTALLATION OF VENT/AIR PIPING

2.2. Direct Vent - Horizontal - Sidewall

NOTICE

- *The installation must conform to the requirements of the authority having jurisdiction or, in the absence of such requirements, to the National Fuel Gas Code, ANSI Z223.1/NFPA 54, and/or Natural Gas and Propane Installation Code, CAN/CSA B149.1.*
- *For sidewall vented installations in the Commonwealth of Massachusetts, the installer must comply with the additional requirements outlined in Chapter 5 on page 33.*



A gas vent extending through a sidewall must not terminate near an adjacent wall or below any building extensions such as roof eaves, balconies or decks.

Failure to comply with the required clearances in this manual can result in substantial property damage, serious injury, or death.

NOTICE

The information and diagrams outlining the fittings and method of terminating the vent/combustion air are directly related to PVC/CPVC vent systems. When utilizing an AL29-4C® Stainless Steel or Polypropylene vent system, there may be some variations. Consult the appropriate vent manufacturer for recommendations and clarifications.

2.2.1 Determine Termination Location

Locate the vent and combustion air termination using the following guidelines:

1. The total length of the vent or combustion air piping must not exceed the limits given in *Table 1 on page 4.*

NOTICE

Do not include the 90° elbows used to terminate the combustion air inlet and vent exterior of the building when determining the total length of pipe.

2. The combustion air piping must terminate using a 90° elbow directed away from the vent termination. The termination must be located 12" [30.5 cm] minimum above grade / highest anticipated snow level as shown in *Fig. 6 through Fig. 8 on page 17.*

NOTICE

*The combustion air termination can be placed on either side of the vent termination. The vent and combustion air terminations must be a minimum 12" [30.5 cm] apart horizontally and vertically. The vent and combustion air terminations are not required to be in the same pressure zone. The combustion air termination must be directed away from the vent for *Fig. 8 on page 17.* The combustion air termination must be directed down for *Fig. 6 and Fig. 7 on page 17.**

3. The vent piping can terminate:
 - Using a 90° elbow as shown in *Fig. 6 or Fig. 8 on page 17.*
 - Using a coupling as shown in *Fig. 7 on page 17.*
 - The vent termination must be located 12" [30.5 cm] minimum above the combustion air termination.
4. The combustion air and vent pipe center lines must be a minimum of 12" [30.5 cm] apart as shown in *Fig. 6 through Fig. 8 on page 17.*
5. The following should be considered when determining the location of the vent and combustion air terminations:
 - a. Locate the vent termination where flue vapors will not damage surrounding shrubs, plants, air conditioning equipment or be objectionable to the homeowner.
 - b. The flue products will form a noticeable plume of water vapor as they condense in colder air. Avoid terminating the vent in areas where the plume could obstruct window views.
 - c. Prevailing winds could cause freezing of flue gas condensation and a buildup of water / ice on surrounding plants, building surfaces or combustion air inlet.

CHAPTER 2 - DIRECT VENT INSTALLATION OF VENT/AIR PIPING

- d. Avoid locations where prevailing winds could affect the performance of the boiler or cause recirculation of the flue gases, such as inside corners of buildings, near adjacent buildings, vertical surfaces, window wells, stairwells, alcoves, courtyards, or other recessed areas.
 - e. Do not terminate the vent above doors or windows, flue condensate could freeze causing ice formations.
 - f. Locate the vent termination to prevent possible condensate damage to exterior finishes.
 - g. Avoid locations of possible accidental contact of flue vapors with people or pets.
6. The vent termination must also maintain the following clearances; as shown in *Fig. 2 on page 13*.
- a. At least 3 feet [0.9 m] from adjacent walls
 - b. At least 3 feet [0.9 m] below roof overhangs
 - c. At least 7 feet [2.1 m] above any public walkways
 - d. At least 3 feet [0.9 m] above any forced air intake within 10 feet [3 m] (does not apply to the combustion air inlet of a direct vent appliance).
 - e. No closer than 12" [30.5 cm] below or horizontally from any door, window or gravity air inlet.
 - f. Must be at least 4 feet [1.2 m] from any electric meters, gas meters-regulators, relief valves or other equipment. Never terminate the vent above or below any of these items or within 4 feet [1.2 m] horizontally.
 - g. A minimum of 12" [30.5 cm] or a maximum of 24" [61 cm] beyond the exterior wall.
 - h. A minimum 12 inches [30.5 cm] horizontal spacing from other fan assisted appliance vents. Never terminate the vent above or below any fan assisted vent within 12 inches [30.5 cm] horizontally.
7. The edge of the combustion air termination coupling must extend 1" [2.5 cm] beyond the exterior wall as shown in *Fig 6* through *Fig. 8 on page 17*.
8. Locate the vent and combustion air terminations in a manner to protect from damage by foreign objects, such as stones, balls, or buildup of leaves or sediment.
9. Do not connect any other appliance to the vent pipe or multiple boilers to a common vent pipe.

2.2.2 Direct Vent - Vent Installation - Sidewall

1. Vent and Combustion Air Penetration
 - Vent pipe penetration through combustible or non-combustible wall material must maintain a minimum 1/4" [6mm] clearance for 3" [80 mm] PVC/CPVC vent or 1" [2.5 cm] for 2" [60 mm] PVC/CPVC vent. The diameter of the penetration hole must be 4" [10.2 cm] minimum for 2" [60 mm] and 3" [80 mm] pipe. When using Polypropylene or AL29-4C[®] Stainless Steel Vent refer to vent manufacturer's Installation Instructions for clearances.
 - Combustion air pipe penetration can maintain zero clearance. The diameter of the penetration hole should be 2-3/8" [6 cm] minimum for 2" [60 mm] pipe or 3-1/2" [8.9 cm] minimum for 3" [80 mm] pipe.
2. The installer must use a galvanized metal thimble for the vent pipe penetration.
3. Locate the vent and combustion air pipe penetrations to provide clearances as described in *Fig. 6* through *Fig. 8 on page 17*.
4. The installer must comply with all local codes for isolating the vent and combustion air pipes as they pass through floors and walls.
5. The installer must seal all exterior openings around penetration with an exterior silicon caulk.

2.2.3 Termination Fittings - Sidewall

1. The vent and combustion air terminations must include a factory supplied "bird screen" installed as shown in *Fig. 9* and *Fig. 10 on page 18*.
2. The combustion air piping must terminate using a 90° elbow as shown in *Fig. 6* through *Fig. 8 on page 17*.
3. The vent piping can terminate:
 - Using a 90° elbow as shown in *Fig. 6* or *Fig. 8 on page 17*.
 - Using a coupling as shown in *Fig. 7 on page 17*.

The vent termination must be installed 12" [30.5 cm] minimum above the combustion air termination.



Do not extend the vent pipe outside the sidewall beyond the dimensions shown in Fig. 6 through Fig. 8 on page 17. Extended exposure of the vent pipe could cause condensate to freeze and block the vent pipe, resulting in substantial property damage, serious injury, or death.

CHAPTER 2 - DIRECT VENT INSTALLATION OF VENT/AIR PIPING

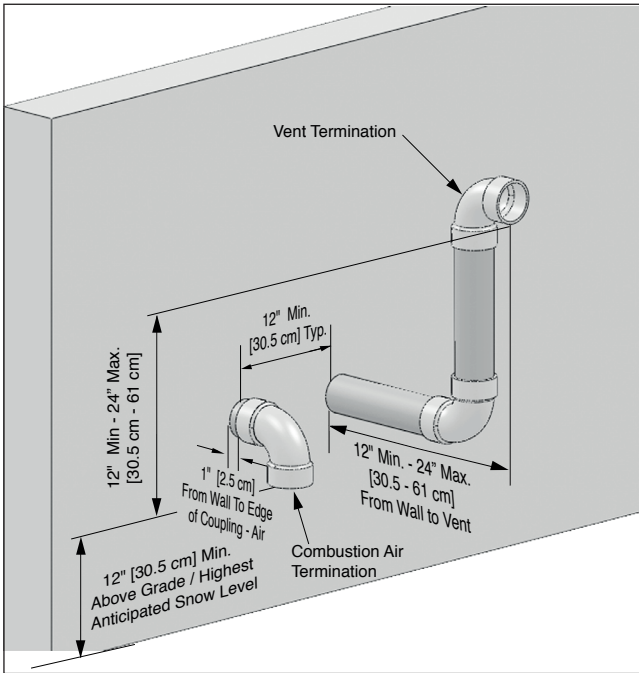


Fig. 6 - Direct Vent - Sidewall Termination of Vent and Combustion Air Piping

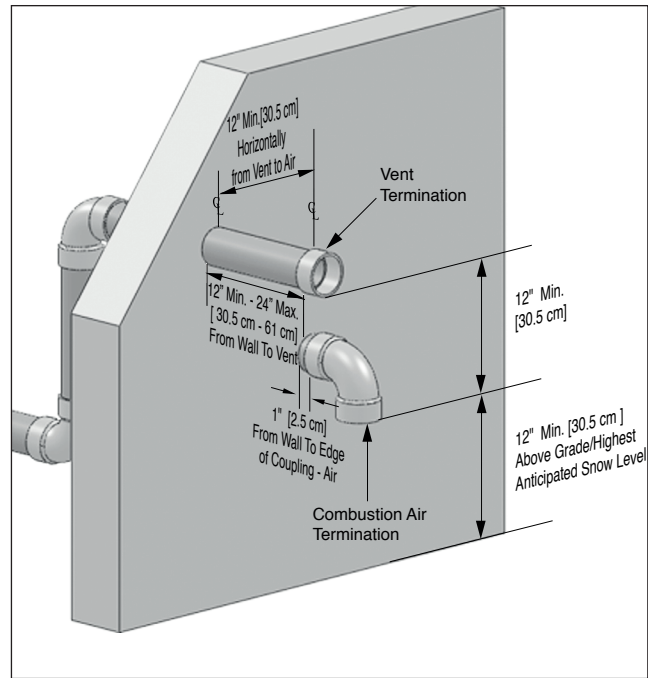


Fig. 7 - Direct Vent - Alternate Sidewall Termination of Vent and Combustion Air Piping

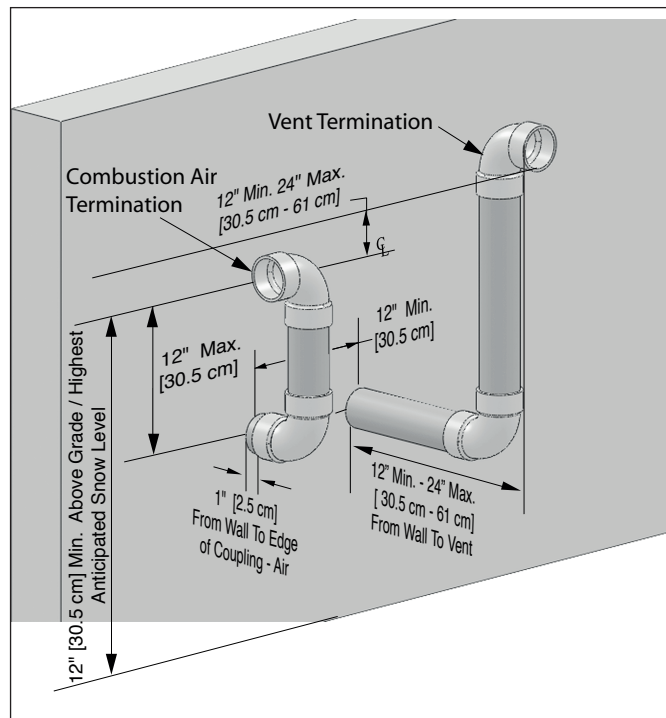


Fig. 8 - Direct Vent - Sidewall Snorkel Termination of Vent and Combustion Air Piping

CHAPTER 2 - DIRECT VENT INSTALLATION OF VENT/AIR PIPING

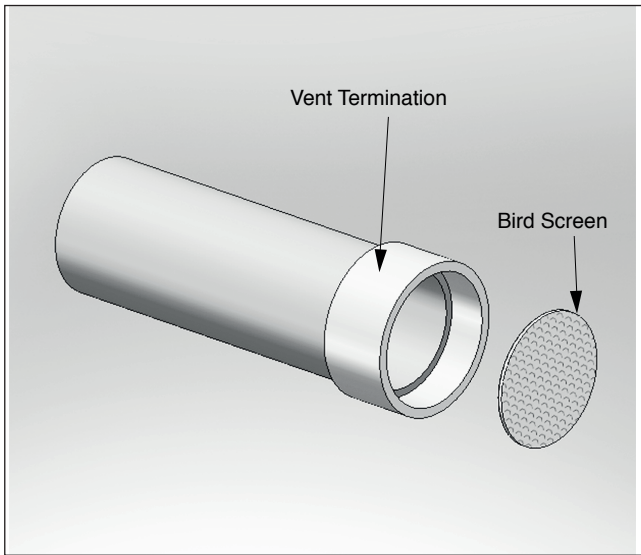


Fig. 9 - Sidewall Vent Bird Screen Installation

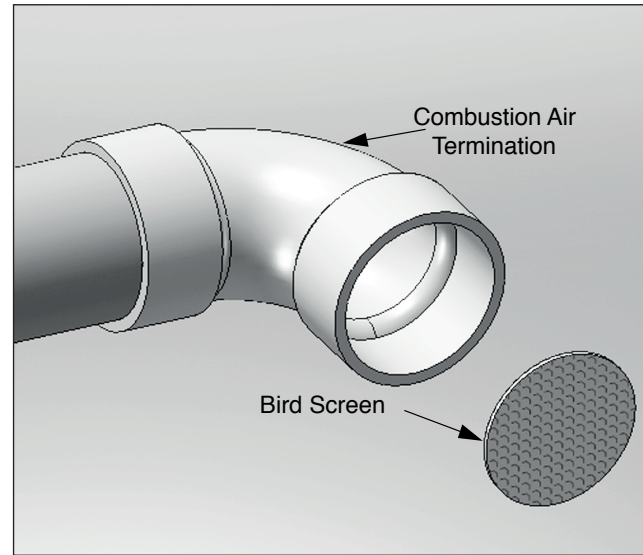


Fig. 10 - Sidewall Combustion Air Bird Screen Installation

⚠ DANGER

The installer must install the factory-supplied "bird screens" on the vent and combustion air terminations.

2.2.4 Direct Vent - Multiple Boiler Installation - Sidewall

1. On installations of multiple INSTINCT boilers, terminate each vent and combustion air pipe as described in this manual.
2. The wall penetration of the vent and combustion air piping must be such that the combustion air inlet is a minimum 12" [30.5 cm] from the adjacent vent pipe of the other boiler for installations in the U.S as shown in *Fig. 11 on page 19*. For installations in Canada, provide clearances as required by CAN/CSA B149.1.

NOTICE

The combustion air inlet of the INSTINCT is defined as being part of a direct vent system. It is not considered as a forced air intake. The required clearance of an adjacent boiler vent to a forced air inlet does not apply in a multiple installation of INSTINCT boilers.

NOTICE

- *Fig. 11 on page 19 shows one option for vent and combustion air terminations of multiple INSTINCT boilers. Either termination option shown in Fig 6 or Fig. 7 on page 17 can be used for multiple INSTINCT boilers. The 12" [30.5 cm] minimum distance between centerlines of the combustion air and vent piping must be maintained for any chosen option.*
- *Refer to Fig. 6 or Fig. 7 on page 17 for the vent and combustion air inlet termination dimensions for each unit installed in a multiple installation.*

CHAPTER 2 - DIRECT VENT INSTALLATION OF VENT/AIR PIPING

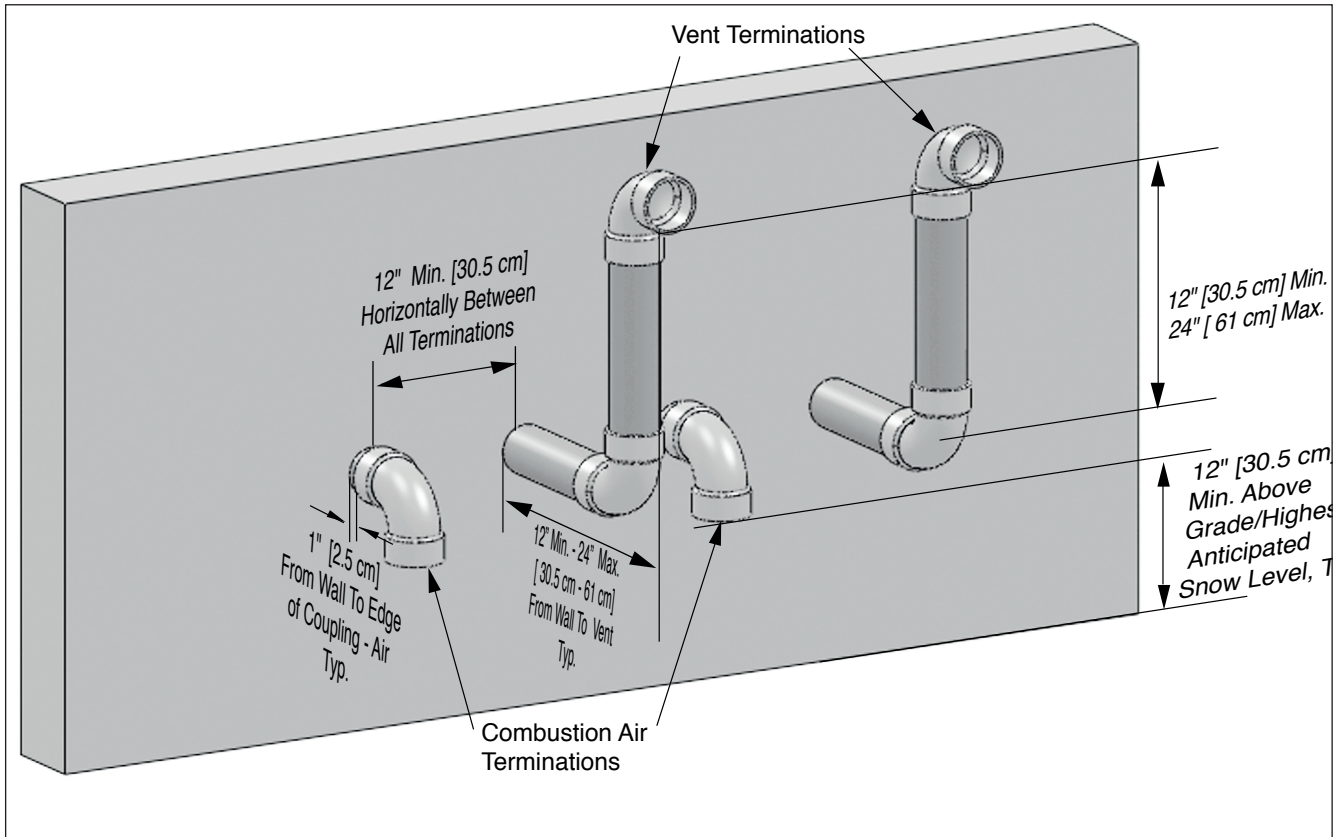


Fig. 11 - Direct Vent - Sidewall Termination of Multiple INSTINCT Boilers

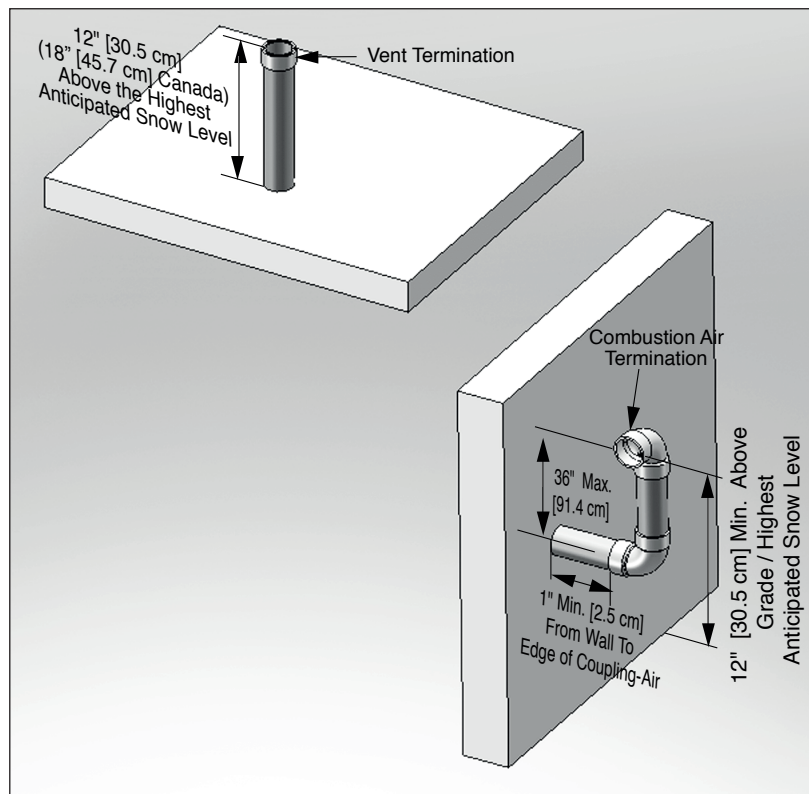


Fig. 12 - Direct Vent - Vertical Vent and Side Wall Combustion Air Terminations

CHAPTER 2 - DIRECT VENT INSTALLATION OF VENT/AIR PIPING

2.3. Direct Vent - Vertical Vent and Sidewall Combustion Air

NOTICE

- *The installation must conform to the requirements of the authority having jurisdiction or, in the absence of such requirements, to the National Fuel Gas Code, ANSI Z223.1/NFPA 54, and/or Natural Gas and Propane Installation Code, CAN/CSA B149.1.*
- *When using an inoperative chimney as a means of a chase for the vent, the surrounding space within the chimney cannot be used to draw combustion air or vent another appliance.*



A gas vent extending through a roof must not terminate near an adjacent wall or below any building extensions such as roof eaves, balconies or decks.

Failure to comply with the required clearances in this manual can result in substantial property damage, serious injury, or death.

NOTICE

The information and diagrams outlining the fittings and method of terminating the vent/combustion air are directly related to PVC/CPVC vent systems. When utilizing an AL29-4C® Stainless Steel or Polypropylene vent system, there may be some variations. Consult the appropriate vent manufacturer for recommendations and clarifications.

2.3.1 Determine Termination Location

Locate the vent and combustion air termination using the following guidelines:

1. The total length of the vent or combustion air piping must not exceed the limits given in *Table 1 on page 4*.

NOTICE

Do not include the 90° elbows used to terminate the combustion air inlet exterior of the building when determining the total length of pipe.

2. The combustion air piping must terminate with a 90° elbow. *Fig. 12 on page 19* shows a snorkel termination option. The combustion air pipe can also terminate using a 90° elbow directed down as shown in *Fig. 6 on page 17*. The termination must be located 12" [30.5 cm] minimum above grade / highest anticipated snow level.
3. The vent piping must terminate vertically with a coupling to accept the bird screen and must be located 12" [30.5 cm] (18" [45.7 cm] in Canada) above the highest anticipated snow level.
4. The following should be considered when determining the location of the vent and combustion air terminations:
 - a. Locate the vent termination where flue vapors will not damage surrounding shrubs, plants, air conditioning equipment or be objectionable to the homeowner.
 - b. The flue products will form a noticeable plume of water vapor as they condense in colder air. Avoid terminating the vent in areas where the plume could obstruct window views.
 - c. Prevailing winds could cause freezing of flue gas condensation and a buildup of water / ice on surrounding plants, building surfaces or combustion air inlet.
 - d. Avoid locations where prevailing winds could affect the performance of the boiler or cause recirculation of the flue gases, such as inside corners of buildings, near adjacent buildings, vertical surfaces, window wells, stairwells, alcoves, courtyards, or other recessed areas.

CHAPTER 2 - DIRECT VENT INSTALLATION OF VENT/AIR PIPING

- e. Do not terminate the vent above doors or windows, flue condensate could freeze causing ice formations.
 - f. Locate the vent termination to prevent possible condensate damage to exterior finishes.
 - g. Avoid locations of possible accidental contact of flue vapors with people or pets.
5. The vent termination must also maintain the following clearances; as shown in *Fig. 2 on page 13*.
- a. At least 3 feet [0.9 m] from adjacent walls
 - b. At least 3 feet [0.9 m] below roof overhangs
 - c. At least 7 feet [2.1 m] above any public walkways
 - d. At least 3 feet [0.9 m] above any forced air intake within 10 feet [3 m] (does not apply to the combustion air inlet of a direct vent appliance).
 - e. No closer than 12" [30.5 cm] below or horizontally from any door or window or gravity air inlet.
 - f. Must be at least 4 feet [1.2 m] from any electric meters, gas meters-regulators, relief valves or other equipment. Never terminate the vent above or below any of these items within 4 feet [1.2 m] horizontally.
 - g. A minimum 12 inches [30.5 cm] horizontal spacing from other fan assisted appliance vents. Never terminate the vent above or below any fan assisted vent within 12 inches [30.5 cm] horizontally.
6. The edge of the combustion air termination coupling must extend 1" [2.5 cm] beyond the exterior wall as shown in *Fig. 12 on page 19*.
7. Locate the vent and combustion air terminations in a manner to protect from damage by foreign objects, such as stones, balls, or buildup of leaves or sediment.
8. Do not connect any other appliance to the vent pipe or multiple boilers to a common vent pipe.

2.3.2 Direct Vent - Vent Installation - Through the Roof

1. Vent pipe penetration through combustible or non-combustible wall material must maintain a minimum 1/4" [6 mm] clearance for 3" [80 mm] PVC/CPVC vent or 1" [2.5 cm] for 2" [60 mm] PVC/CPVC vent. The diameter of the penetration hole must be 4" [10.2 cm] minimum for 2" [60 mm] and 3" [80 mm] pipe. When using Polypropylene or AL29-4C® Stainless Steel Vent refer to vent manufacturer's Installation Instructions for clearances.
2. The installer must use a galvanized metal thimble for the vent pipe penetration.
3. The vent must terminate 12" [30.5 cm] (18" [45.7 cm] in Canada) above the highest anticipated snow level.
4. The installer must comply with all local codes for isolating the vent pipe as it passes through floors, ceilings and roofs.
5. The installer must provide adequate flashing and sealing boots sized for the vent pipe.

2.3.3 Direct Vent - Combustion Air Installation - Sidewall

1. Combustion air pipe penetration can maintain zero clearance. The diameter of the penetration hole should be 2 3/8" [6 cm] minimum for 2" [60 mm] pipe or 3 1/2" [8.9 cm] minimum for 3" [80 mm] pipe.
2. The combustion air termination must be installed 12" [30.5 cm] minimum above grade / highest anticipated snow level as shown in *Fig. 6 or Fig. 8 on page 17*.
3. The installer must comply with all local codes for isolating the combustion air pipe as it passes through floors and walls.
4. The installer must seal all exterior openings around penetration with an exterior silicon caulk.

CHAPTER 2 - DIRECT VENT INSTALLATION OF VENT/AIR PIPING

2.3.4 Termination Fittings - Vertical & Sidewall

1. The vent and combustion air terminations must include a factory supplied "bird screen" installed as shown in *Fig. 3 on page 14* & *Fig. 10 on page 18*.
2. The combustion air piping must terminate using a 90° elbow as shown in *Fig. 6 or Fig. 8 on page 17*.
3. The vent piping must terminate vertically with a coupling, as shown in *Fig. 12 on page 19*.

WARNING

Do not extend the vent pipe above the roof beyond the dimension shown in *Fig. 12 on page 19*. Extended exposure of the vent pipe could cause condensate to freeze and block the vent pipe, resulting in substantial property damage, serious injury, or death.

2.3.5 Direct Vent - Multiple Boiler Installation - Vertical Vent and Sidewall Combustion Air

1. On installations of multiple INSTINCT boilers, terminate each vent and combustion air pipe as described in this manual.
2. Each vent and combustion air termination must be a minimum 12" [30.5 cm] from the adjacent termination for installations in the U.S. as shown in *Fig. 13 below*. For installations in Canada, provide clearances as required by CAN/CSA B149.1.

NOTICE

The combustion air inlet of the INSTINCT is defined as being part of a direct vent system. It is not considered as a forced air intake. The required clearance of an adjacent boiler vent to a forced air inlet does not apply in a multiple installation of INSTINCT boilers.

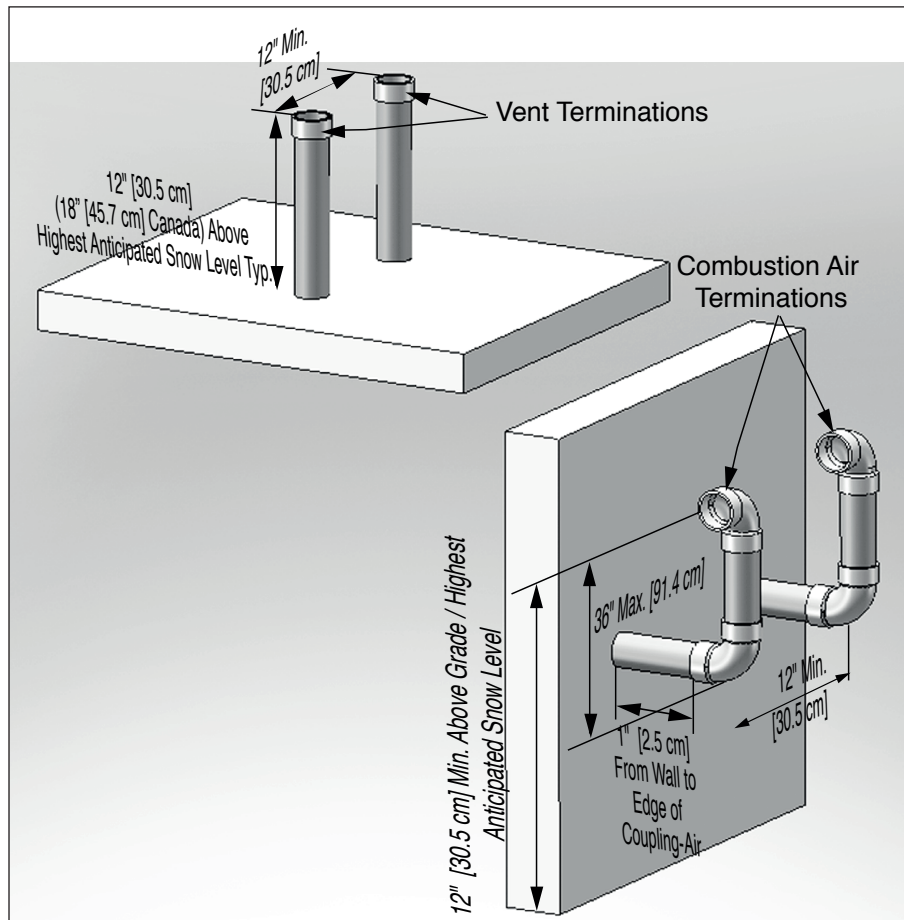


Fig. 13 - Direct Vent - Vertical Vent and Sidewall Combustion Air Terminations of Multiple INSTINCT Boilers

CHAPTER 3 - CATEGORY IV (INDOOR AIR) INSTALLATION OF VENT/AIR PIPING

The INSTINCT boiler is classified as a Category IV appliance. A Category IV appliance utilizes uncontaminated indoor or outdoor air (surrounding the appliance) for combustion. A sticker, shown in *Fig. 14 below*, is placed on the boiler to identify the appliance classification and the applicable ventilation and combustion air requirements.

A direct vent installation uses the outdoor air. Air supply, combustion chamber, heat exchanger and evacuation of POC (products of combustion) for this type of appliance is sealed with respect to the room in which the appliance is installed.

An indirect installation uses uncontaminated indoor air for appliance combustion.



In the case of Indirect vent installation, the space must be provided with ventilation / combustion air openings properly sized for all make-up air requirements (exhaust fans, clothes dryers, fireplaces, etc.) and the total input of all appliances, including the INSTINCT when located in the same space.

Failure to provide or properly size the openings can result in substantial property damage, serious injury, or death.

For installations in which the INSTINCT shares the space with air movers (exhaust fan, clothes dryers, fireplaces, etc.) and other combustion equipment (gas or oil) the space must be provided with adequate air openings to provide ventilation and combustion air to the equipment.



- **When the air for combustion is taken from the room air grilles must be installed by the contractor. The air grilles should be sized in accordance with ANSI Z223.1/ NFPA54 and/ or Natural Gas and Propane Installation Code CAN/CSA B149.1.**
- **The grille providing air when taking air directly from the room should be identified to the consumer and the importance of ensuring that the grilles are not restricted or blocked in any way clearly explained to the consumer. The grilles should be clearly labeled "AIR SUPPLY, DO NOT COVER OR RESTRICT. FAILURE TO PROVIDE ADEQUATE AIR FOR COMBUSTION COULD RESULT IN SERIOUS INJURY, OR DEATH."**

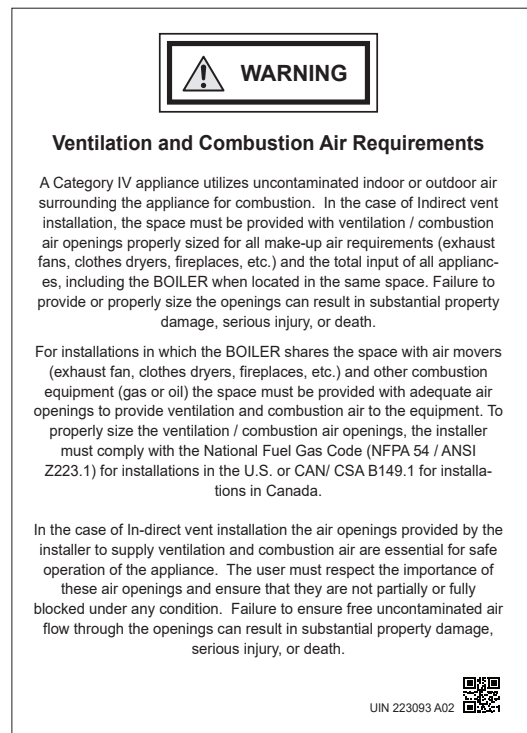


Fig. 14 - Ventilation and Combustion Requirements Sticker Placed on the Appliance

CHAPTER 3 - CATEGORY IV (INDOOR AIR) INSTALLATION OF VENT/AIR PIPING

3.1. Category IV - Vertical - Through the Roof or Unused Chimney

NOTICE

- The installation must conform to the requirements of the authority having jurisdiction or, in the absence of such requirements, to the National Fuel Gas Code, ANSI Z223.1/NFPA 54, and/or Natural Gas and Propane Installation Code, CAN/CSA B149.1.
- When using an inoperative chimney as a means of a chase for the vent, the surrounding space within the chimney cannot be used to draw combustion air or vent another appliance.



WARNING

A gas vent extending through a roof must not terminate near an adjacent wall or below any building extensions such as roof eaves, balconies or decks.

Failure to comply with the required clearances in this manual can result in substantial property damage, serious injury, or death.

NOTICE

The information and diagrams outlining the fittings and method of terminating the vent/combustion air are directly related to PVC/CPVC vent systems. When utilizing an AL 29-4C® Stainless Steel or Polypropylene vent system, there may be some variations. Consult the appropriate vent manufacturer for recommendations and clarifications.

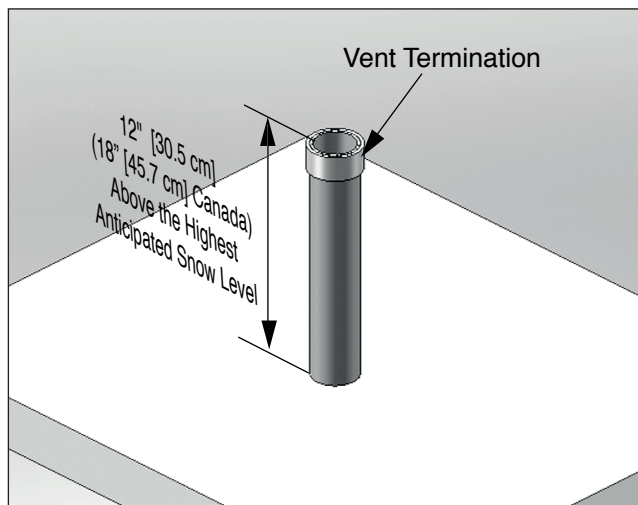


Fig. 15 - Category - IV - Vertical Termination of Vent Pipe

3.1.1 Determine Termination Location

Locate the vent and combustion air termination using the following guidelines:

1. The total length of the vent piping must not exceed the limits given in *Table 1 on page 4*.
2. The combustion air piping must terminate at the boiler with a 90° elbow.
3. The vent piping must terminate vertically with a coupling to accept the bird screen and must be located 12" [30.5 cm] (18" [45.7 cm] in Canada) above the highest anticipated snow level as shown in *Fig. 15 on page 24 below*.
4. The following should be considered when determining the location of the vent termination:
 - a. Locate the vent termination where flue vapors will not damage surrounding shrubs, plants, air conditioning equipment or be objectionable to the homeowner.
 - b. The flue products will form a noticeable plume of water vapor as they condense in colder air. Avoid terminating the vent in areas where the plume could obstruct window views.
 - c. Prevailing winds could cause freezing of flue gas condensation and a buildup of water / ice on surrounding plants or building surfaces.
 - d. Avoid locations where prevailing winds could affect the performance of the boiler or cause recirculation of the flue gases, such as inside corners of buildings, near adjacent buildings, vertical surfaces, window wells, stairwells, alcoves, courtyards, or other recessed areas.
 - e. Do not terminate the vent above doors or windows, flue condensate could freeze causing ice formations.
 - f. Locate the vent termination to prevent possible condensate damage to exterior finishes.
 - g. Avoid locations of possible accidental contact of flue vapors with people or pets.
5. The vent termination must also maintain the following clearances; as shown in *Fig. 16 on page 25*.
 - a. At least 3 feet [0.9 m] from adjacent walls
 - b. At least 3 feet [0.9 m] below roof overhangs
 - c. At least 7 feet [2.1 m] above any public walkways

CHAPTER 3 - CATEGORY IV (INDOOR AIR) INSTALLATION OF VENT/AIR PIPING

- d. At least 3 feet [0.9 m] above any forced air intake within 10 feet [3 m] (Does not apply to the combustion air inlet of a direct vent appliance).
 - e. No closer than 4 feet [1.2 m] below or horizontally from any door, window or gravity air inlet.
 - f. Must be at least 4 feet [1.2 m] from any electric meters, gas meters-regulators, relief valves or other equipment. Never terminate the vent above or below any of these items within 4 feet [1.2 m] horizontally.
 - g. A minimum 12 inches [30.5 cm] horizontal spacing from other fan assisted appliance vents. Never terminate the vent above or below any fan assisted vent within 12 inches [30.5 cm] horizontally.
6. Locate the vent termination in a manner to protect from damage by foreign objects, such as stones, balls, or buildup of leaves or sediment.
 7. Do not connect any other appliance to the vent pipe or multiple boilers to a common vent pipe.

3.1.2 Category IV - Vent Installation - Through the Roof

1. Vent pipe penetration through combustible or non-combustible wall material must maintain a minimum 1/4" [6 mm] clearance for 3" [80 mm] PVC/CPVC vent or 1" [2.5 cm] for 2" [60 mm] PVC/CPVC vent. The diameter of the penetration hole must be 4" [102 mm] minimum for 2" [60 mm] and 3" [80 mm] pipe. When using Polypropylene or AL29-4C® Stainless Steel Vent refer to vent manufacturer's Installation Instructions for clearances.
2. The installer must use a galvanized metal thimble

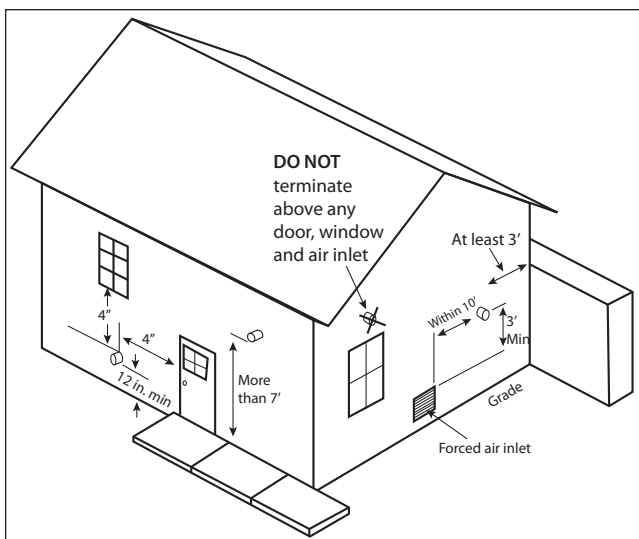


Fig. 16 - Termination Clearances of Category IV System

- for the vent pipe penetration.
3. Locate the vent pipe penetration to provide clearances as described in *Fig. 15 on page 24*.
4. The installer must comply with all local codes for isolating the vent pipe as it passes through floors, ceilings and roofs.
5. The installer must provide adequate flashing and a sealing boot sized for the vent pipe.

3.1.3 Termination Fittings - Through the Roof

1. The vent and combustion air terminations must include a factory supplied "bird screen" installed as shown in *Fig. 3* and *Fig. 4 on page 14*.
2. The combustion air piping must terminate at the boiler with a 90° elbow.
3. The vent piping must terminate vertically with a coupling as shown in *Fig. 15 on page 24*.



Do not extend the vent pipe above the roof beyond the dimensions shown in *Fig. 15 on page 24*. Extended exposure of the vent pipe could cause condensate to freeze and block the vent pipe, resulting in substantial property damage, serious injury, or death.

CHAPTER 3 - CATEGORY IV (INDOOR AIR) INSTALLATION OF VENT/AIR PIPING

3.1.4 Category IV - Multiple Boiler Installation - Through the Roof

1. On installations of multiple INSTINCT boilers, terminate each vent pipe as described in this manual.
2. Each vent termination must be a minimum 12" [30.5 cm] from the adjacent termination for installations in the U.S. as shown in *Fig. 17 below*. For installations in Canada, provide clearances as required by CAN/CSA B149.1.

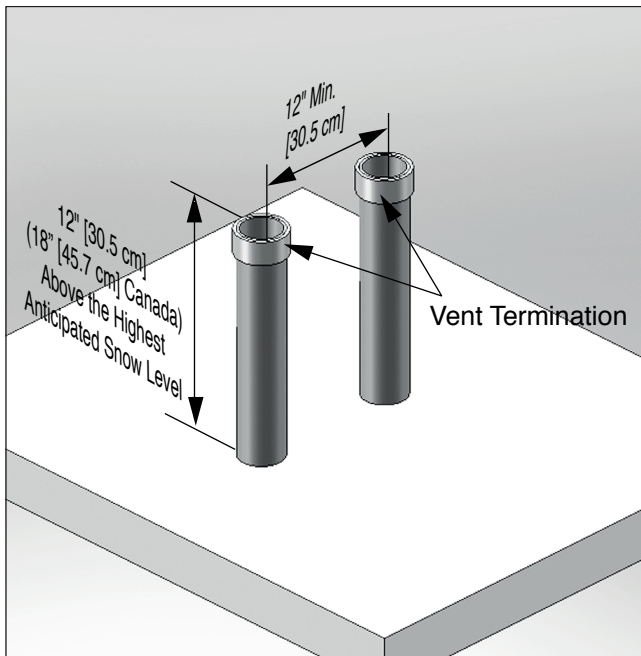


Fig. 17 - Category IV- Vertical Termination of Multiple INSTINCT Boilers

3.2. Category IV - Horizontal - Sidewall

NOTICE

- The installation must conform to the requirements of the authority having jurisdiction or, in the absence of such requirements, to the National Fuel Gas Code, ANSI Z223.1/ NFPA 54, and/or Natural Gas and Propane Installation Code, CAN/CSA B149.1.
- For sidewall vented installations in the Commonwealth of Massachusetts, the installer must comply with the additional requirements outlined in Chapter 5 on page 33.



A gas vent extending through a sidewall must not terminate near an adjacent wall or below any building extensions such as roof eaves, balconies or decks.

Failure to comply with the required clearances in this manual can result in substantial property damage, serious injury, or death.

NOTICE

The information and diagrams outlining the fittings and method of terminating the vent/combustion air are directly related to PVC/CPVC vent systems. When utilizing an AL29-4C® Stainless Steel or Polypropylene vent system, there may be some variations. Consult the appropriate vent manufacturer for recommendations and clarifications.

3.2.1 Determine Termination Location

Locate the vent and combustion air termination using the following guidelines:

1. The total length of the vent piping must not exceed the limits given in *Table 1 on page 4*.

NOTICE

Do not include the 90° elbows used to terminate the vent exterior of the building when determining the total length of pipe.

CHAPTER 3 - CATEGORY IV (INDOOR AIR) INSTALLATION OF VENT/AIR PIPING

2. The combustion air piping must terminate at the boiler with a 90° elbow.
3. The vent piping can terminate:
 - Using a coupling as shown in *Fig. 18*.
 - Using a 90° elbow as shown in *Fig. 19*.
 - The vent termination must be located 12" [30.5 cm] minimum above grade / highest anticipated snow level.
4. The following should be considered when determining the location of the vent termination:
 - a. Locate the vent termination where flue vapors will not damage surrounding shrubs, plants, air conditioning equipment or be objectionable to the homeowner.
 - b. The flue products will form a noticeable plume of water vapor as they condense in colder air. Avoid terminating the vent in areas where the plume could obstruct window views.
 - c. Prevailing winds could cause freezing of flue gas condensation and a buildup of water / ice on surrounding plants or building surfaces.
 - d. Avoid locations where prevailing winds could affect the performance of the boiler or cause recirculation of the flue gases, such as inside corners of buildings, near adjacent buildings, vertical surfaces, window wells, stairwells, alcoves, courtyards, or other recessed areas.
 - e. Do not terminate the vent above doors or windows, flue condensate could freeze causing ice formations.
 - f. Locate the vent termination to prevent possible condensate damage to exterior finishes.
 - g. Avoid locations of possible accidental contact of flue vapors with persons or pets.
5. The vent termination must also maintain the following clearances; as shown in *Fig. 16 on page 25*.
 - a. At least 3 feet [0.9 m] from adjacent walls
 - b. At least 3 feet [0.9 m] below roof overhangs
 - c. At least 7 feet [2.1 m] above any public walkways
 - d. At least 3 feet [0.9 m] above any forced air intake within 10 feet [3 m] (Does not apply to the combustion air inlet of a direct vent appliance).
 - e. No closer than 4 feet [1.2 m] below or horizontally from any door, window or gravity air inlet.
 - f. Must be at least 4 feet [1.2 m] from any electric meters, gas meters-regulators, relief valves or

other equipment. Never terminate the vent above or below any of these items within 4 feet [1.2 m] horizontally.

- g. A minimum 12 inches [30.5 cm] horizontal spacing from other fan assisted appliance vents. Never terminate the vent above or below any fan assisted vent within 12 inches [30.5 cm] horizontally.

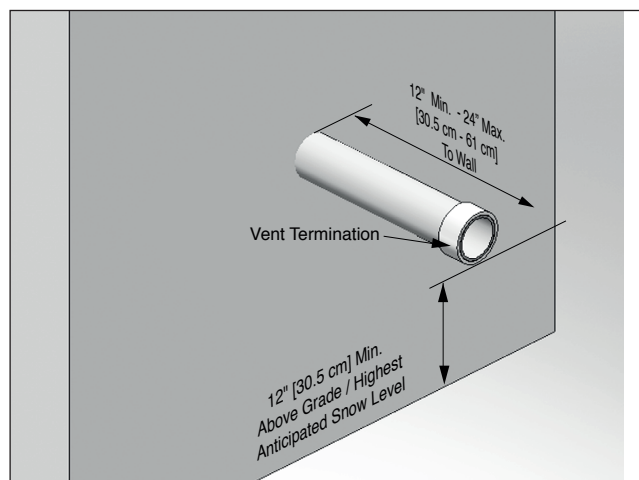


Fig. 18 - Category IV - Sidewall Termination of Vent Pipe

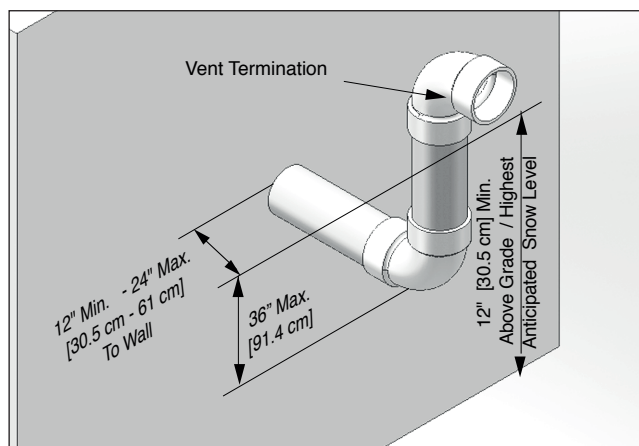


Fig. 19 - Category IV - Sidewall Snorkel Termination of Vent Pipe

CHAPTER 3 - CATEGORY IV (INDOOR AIR) INSTALLATION OF VENT/AIR PIPING

6. Locate the vent termination in a manner to protect from damage by foreign objects, such as stones, balls, or buildup of leaves or sediment.
7. Do not connect any other appliance to the vent pipe or multiple boilers to a common vent pipe.

3.2.2 Category IV - Vent Installation - Sidewall

1. Vent pipe penetration through combustible or non-combustible wall material must maintain a minimum 1/4" [6 mm] clearance for 3" [80 mm] PVC/CPVC vent or 1" [2.5 cm] for 2" [60 mm] PVC/CPVC vent. The diameter of the penetration hole must be 4" [102 mm] minimum for 2" [60 mm] and 3" [80 mm] pipe. When using Polypropylene or AL29-4C® Stainless Steel Vent, refer to the vent manufacturer's Installation Instructions for clearances.
2. The installer must use a galvanized metal thimble for the vent pipe penetration.
3. Locate the vent pipe penetration to provide clearances as described in *Fig. 17* and *Fig. 19* on page 27.
4. The installer must comply with all local codes for isolating the vent pipe as it passes through floors and walls.
5. The installer must seal all exterior openings around penetration with an exterior silicon caulk.

3.2.3 Termination Fittings - Sidewall

1. The vent and combustion air terminations must include a factory supplied "bird screen" installed as shown in *Fig. 9* & *Fig. 10* on page 18.
2. The combustion air piping must terminate at the boiler with a 90° elbow.
3. The vent piping can terminate:
 - Using a coupling as shown in *Fig. 18* on page 27.
 - Using a 90° elbow as shown in *Fig. 19* on page 27.



WARNING

Do not extend the vent pipe outside the sidewall beyond the dimensions shown in *Fig. 17* and *Fig. 19* on page 27. Extended exposure of the vent pipe could cause condensate to freeze and block the vent pipe, resulting in substantial property damage, serious injury, or death.

3.2.4 Category IV - Multiple Boiler Installation - Sidewall

1. On installations of multiple INSTINCT boilers, terminate each vent pipe as described in this manual.
2. Each vent termination must be a minimum 12" [30.5 cm] from the adjacent termination for installations in the U.S. as shown in *Fig. 20* below. For installations in Canada, provide clearances as required by CAN/CSA B149.1.

NOTICE

- *Fig. 19* shows one option for vent terminations of multiple INSTINCT boilers. Either termination option shown in *Fig. 17* or *Fig. 19* on page 27 can be used for multiple INSTINCT boilers. The 12" [30.5 cm] minimum distance between centerlines of the vent piping must be maintained for any chosen option.
- Reference *Fig. 17* and *Fig. 19* on page 27 for vent termination dimensions for each unit installed in a multiple installation.

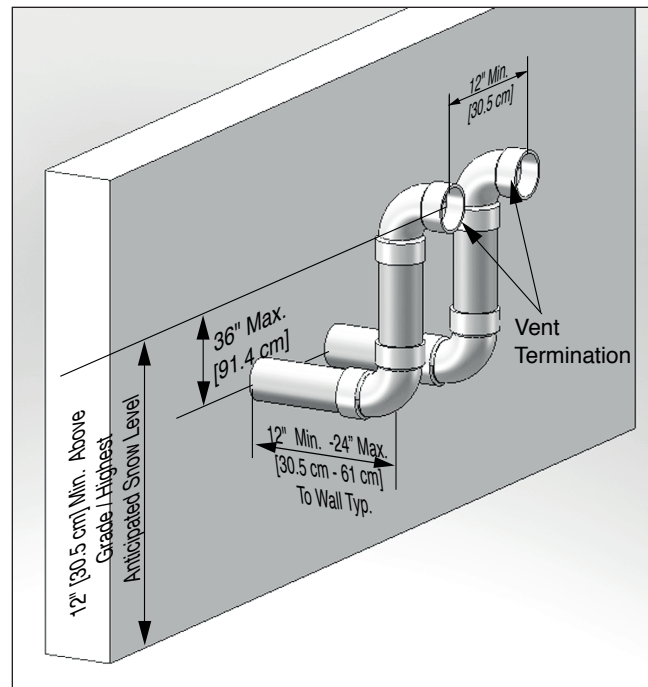


Fig. 20 - Category IV - Sidewall Termination of Multiple INSTINCT Boilers

CHAPTER 4 - INSTALLATION REQUIREMENTS

4.1. Vent/Combustion Air Transitions

NOTICE

LP Conversions of all Instinct models MUST be installed using a 3" (80 mm) vent / combustion air system.

4.1.1 3" (80 mm) to 2" (60 mm) Transitions

NOTICE

This chapter outlines the installation of 2" (60 mm) Venting and Combustion Air Piping for the INSTINCT units when the vent system must transition from the 3" (80 mm) outlet of the boiler to the 2" (60 mm) vent system.

NOTICE

The Instinct boiler has a length of acoustic foam already installed in the air inlet adaptor. DO NOT remove this.

- For INSTINCT 110 & 155 Models only, propane conversions require an additional acoustic foam insert to be fitted within the combustion air piping. Consult LP Conversion Instructions for proper fitting.
1. The transition from 3" (80mm) vent system to 2" (60 mm) vent system must occur at the boiler vent outlet.
 2. The transition from 3" (80 mm) vent to 2" (60 mm) vent must occur in a vertical run only.



WARNING

Transition of 3" (80 mm) vent to 2" (60 mm) vent in a horizontal run will result in pooling of the condensate and potential vent blockage.

Failure to transition from 3" (80 mm) vent to 2" (60 mm) vent in a vertical run can result in substantial property damage, serious injury, or death.

3. Use a 3" (80 mm) x 2" (60 mm) bell reducer to make the transition to 2" (60 mm) CPVC/PVC vent, see *Figs. 21 and 22*.
4. Use a 3" (80 mm) appliance vent adapter and 3" (80 mm) to 2" (60 mm) reducer to make the transition to 2" (60 mm) Polypropylene vent. See *Table 3 on page 7*.
5. The 2" (60 mm) vent must not transition back to 3" (80 mm) vent at any point in the vent system.
6. The PVC combustion air piping shall transition from 3" (80 mm) to 2" (60 mm) using a 3" (80 mm) x 2" (60 mm) bell reducer and shall transition in a similar manner as the vent system.

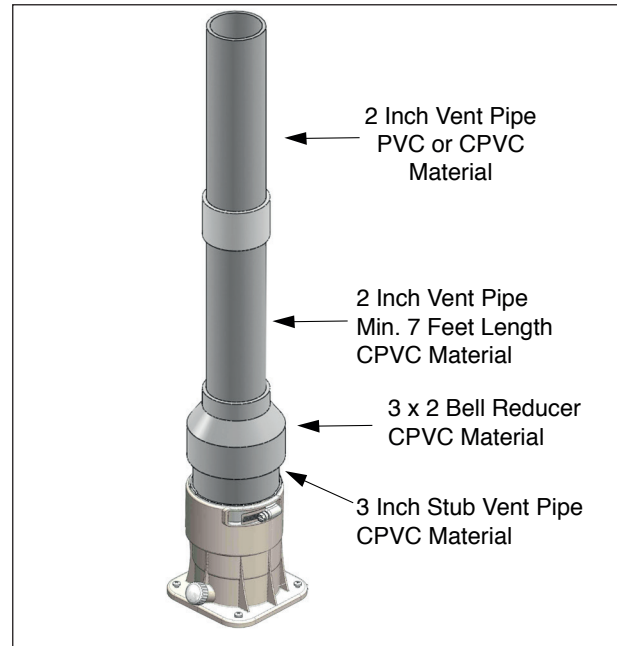


Fig. 21 - 2" (60 mm) CPVC/PVC Venting System Vertical

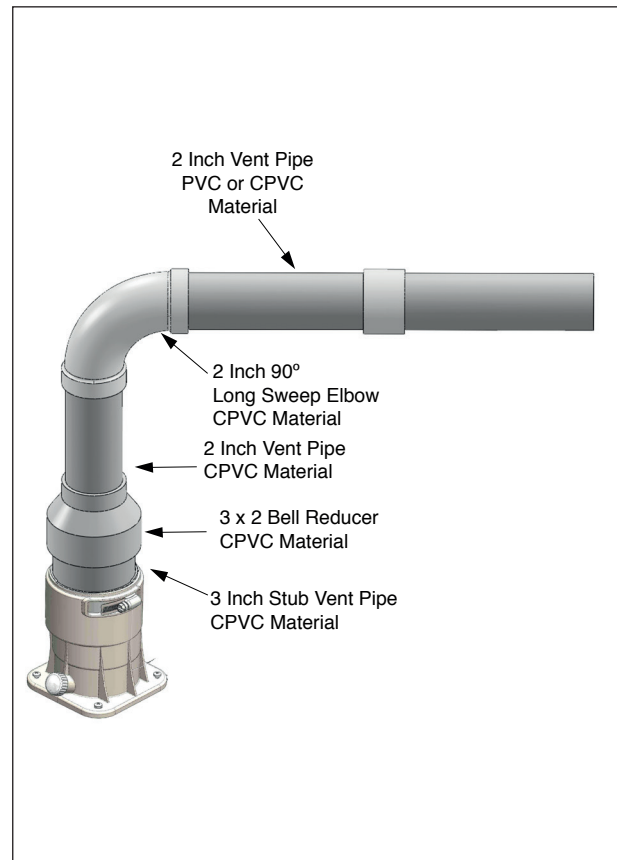


Fig. 22 - 2" (60 mm) CPVC/PVC Venting System Horizontal

CHAPTER 4 - INSTALLATION REQUIREMENTS

7. The total equivalent length of the 3" (80 mm) and 2" (60 mm) vent piping combined shall not exceed the length listed for a 2" (60 mm) vent system in *Table 1 on page 4*.
8. The total equivalent length of 3" (80 mm) and 2" (60 mm) combustion air piping combined shall not exceed the length listed for a 2" (60mm) combustion air system in *Table 1 on page 4*.

4.2. Connect Piping to INSTINCT

NOTICE

- The INSTINCT appliance is supplied with an acoustic dampening foam rubber insert located in the appliance air inlet adaptor. **DO NOT remove this at installation.**
- For INSTINCT 110 & 155 Models only, propane conversions require an additional acoustic foam insert to be fitted within the combustion air piping. Consult LP Conversion Instructions for proper fitting.

The INSTINCT universal vent and combustion air adapters will directly accept PVC/CPVC, DuraVent FasN-Seal Polypropylene (PP), and AL29-4C Stainless Steel venting without the use of adapters.

The universal vent and combustion air adapters contain three seals for each type of venting material.

- The uppermost seal is used for PVC/CPVC venting.
 - The middle seal is used for DuraVent FasNSeal Polypropylene (PP) venting.
 - The bottom seal is used for AL29-4C Stainless Steel venting.
1. The installer must clean, deburr and chamfer the pipe ends prior to assembly.



The pipe ends must be smooth, free of sharp edges, chamfered and wiped clean to prevent possible damage to the sealing gasket in the vent and combustion air adapters.

Failure to comply with this requirement can cause flue gas leakage, resulting in substantial property damage, serious injury, or death.

2. Prior to inserting the pipe into the adapter:
 - Verify the adapter gaskets are in place.
3. Ensure the adapter retaining strap is loose prior to inserting the pipe.

4. Apply a small amount of water to the insertion end of the pipe to ease insertion into the adapter.
5. Insert the pipe into the adapter until it is fully seated to the proper level for the type of venting material being utilized.



Do not bend, twist or apply excessive force to the vent or combustion air adapters when installing the vent / combustion air piping. The adapter gasket could be damaged and leak flue gas, resulting in substantial property damage, serious injury, or death.

6. Secure the vent and combustion air pipes by tightening the adapter retaining strap. Do not over tighten the strap. The seal is made by the gasket inside the adapter.

4.3. Vent and Combustion Air Piping Installation

4.3.1 PVC/CPVC Vent System

1. The installer should install the vent / combustion air piping working from the boiler to the piping termination. The piping length must not exceed the lengths listed in *Table 1 on page 4*.
2. The installer should cut the pipe to the required length and must deburr the inside and outside of both ends.
3. The installer must chamfer the outside of the pipe ends to allow even distribution of cement when joining.
4. The installer must dry assemble the vent system prior to final assembly to ensure proper fit.
5. The pipe ends and fittings must be cleaned and dried thoroughly prior to final assembly.
6. When assembling a joint the installer must:
 - a. Handle fittings and pipes carefully to prevent contamination of surfaces
 - b. Apply a liberal amount of primer to both the end of the pipe and the insert socket of the fitting.
 - c. Apply a light uniform coating of approved cement to both the end of the pipe and the insert socket of the fitting, while the primer is still wet.
 - d. A second coat of approved cement should be applied to the mating surfaces. The installer should avoid, however, using too much cement on the socket of the fitting to prevent a buildup of cement on the inside.

CHAPTER 4 - INSTALLATION REQUIREMENTS

- e. With the cement still wet, the pipe end should be inserted into the socket of the fitting and twisted 1/4 of a full turn. Ensure the pipe end is inserted fully into the socket of the fitting.
 - f. Any excess cement should be wiped clean from the joint. Inspect the joint to ensure a smooth bead of cement is around the entire joint seam.
7. The installer must use perforated metal strap hangers or equivalent pipe hangers suitable for plastic pipe to support the piping. The hangers must be placed at a maximum of every 5 feet [1.5 m] of horizontal and vertical run of piping. A support must be placed at the boiler and at every vertical or horizontal change in direction (i.e elbow). Do not penetrate any part of the piping or vent system with a fastener.



Failure to properly support vent system can cause the venting system to fail, resulting in substantial property damage, serious injury, or death.

NOTICE

Pipe hangers must not be tightly clamped to pipe to allow for thermal expansion/contraction movement. Pipe clamps or hangers should not contain any sharp edges which can damage the pipe.

8. The vent and combustion air piping must be sloped continuously from the termination back to the boiler with at least 1/4" drop per foot [6 mm] of run. Do not allow any sags in the run of piping.



Do not slope the vent or combustion air piping downward away from the boiler. Condensate could freeze and block the vent pipe or damage the exterior of the building or surrounding landscape, resulting in substantial property damage, serious injury, or death.

9. Maintain a minimum clearance of 1/4" [6 mm] between the vent pipe and all combustible or non-combustible materials for 3" [80 mm] PVC/CPVC vents or 1" [2.5 cm] for 2" [60 mm] PVC/CPVC vents. The installer must seal any wall, floor or ceiling penetrations as per local code requirements.

BEST PRACTICE

It is recommended that the installer uses the same number of elbows and length of pipes on the venting and the combustion air inlet systems.

NOTICE

Covering PVC/CPVC or Polypropylene vent pipe and fittings with thermal insulation is prohibited.

4.3.2 Polypropylene or AL29-4C® Stainless Steel Vent Systems

NOTICE

- *When using Polypropylene or AL29-4C® Stainless Steel Vent, refer to vent manufacturer's installation instructions supplied with the vent for proper installation.*
- *Covering Polypropylene vent pipe and fittings with thermal insulation is prohibited.*

4.4. Carbon Monoxide Detector Installation

Triangle Tube recommends the installation of a minimum of two (2) hard wired carbon monoxide detectors with an alarm and battery back-up in the mechanical room where the INSTINCT is located and another installed in the living area outside the bedroom(s) for all installations.

Each carbon monoxide detector shall comply with NFPA 720 and be ANSI/UL 2034 listed and IAS certified.

Consult the local authority having jurisdiction for any additional carbon monoxide detector requirements in your area. See *Chapter 5 on page 33* for additional carbon monoxide detector requirements in Massachusetts.



A byproduct of any gas fired appliance is carbon monoxide.

Failure to install carbon monoxide detectors with alarms can result in serious injury, or death.

INTENTIONALLY LEFT BLANK

CHAPTER 5 - COMMONWEALTH OF MASSACHUSETTS INSTALLATION REQUIREMENTS

For all side wall horizontally vented gas fueled equipment installed in every dwelling, building or structure used in whole or in part for residential purposes, including those owned or operated by the Commonwealth and where the side wall exhaust vent termination is less than seven (7) feet above finished grade in the area of the venting, including but not limited to decks and porches, the following requirements shall be satisfied:

5.1. Installation of Carbon Monoxide Detectors.

1. At the time of installation of the side wall horizontal vented gas fueled equipment, the installing plumber or gasfitter shall observe that a hard wired carbon monoxide detector with an alarm and battery back-up is installed on the floor level where the gas equipment is to be installed.
2. In addition, the installing plumber or gasfitter shall observe that a battery operated or hard wired carbon monoxide detector with an alarm is installed on each additional level of the dwelling, building or structure served by the side wall horizontal vented gas fueled equipment.
3. It shall be the responsibility of the property owner to secure the services of qualified licensed professionals for the installation of hard wired carbon monoxide detectors.
 - a. In the event that the side wall horizontally vented gas fueled equipment is installed in a crawl space or an attic, the hard wired carbon monoxide detector with alarm and battery back-up may be installed on the next adjacent floor level.
 - b. In the event that the requirements of this subdivision can not be met at the time of completion of installation, the owner shall have a period of thirty (30) days to comply with the above requirements; provided, however, that during said thirty (30) day period, a battery operated carbon monoxide detector with an alarm shall be installed.

5.2. Approved Carbon Monoxide Detectors.

Each carbon monoxide detector as required in accordance with the above provisions shall comply with NFPA 720 and be ANSI/UL 2034 listed and IAS certified.

5.3. Signage

A metal or plastic identification plate shall be permanently mounted to the exterior of the building at a minimum height of eight (8) feet above grade directly in line with the exhaust vent terminal for the horizontally vented gas fueled heating appliance or equipment.

The sign shall read, in print size no less than one half (1/2) inch in size, "**GAS VENT DIRECTLY BELOW. KEEP CLEAR OF ALL OBSTRUCTIONS**".

5.4. Inspection.

The state or local gas inspector of the side wall horizontally vented gas fueled equipment shall not approve the installation unless, upon inspection, the inspector observes carbon monoxide detectors and signage installed in accordance with the provisions of 248 CMR 5.08(2)(a) 1 through 4.

5.4.1 Exemptions

The following equipment is exempt from 248 CMR 5.08(2)(a) 1 through 4:

1. The equipment listed in Chapter 10 entitled "Equipment Not Required To Be Vented" in the most current edition of NFPA 54 as adopted by the Board; and
2. Product Approved side wall horizontally vented gas fueled equipment installed in a room or structure separate from the dwelling, building or structure used in whole or in part for residential purposes.

5.4.2 Manufacturer Requirements - Gas Equipment Venting System Provided.

When the manufacturer of Product Approved side wall horizontally vented gas equipment provides a venting system design or venting system components with the equipment, the instructions provided by the manufacturer for installation of the equipment and the venting system shall include:

1. Detailed instructions for the installation of the venting system design or the venting system components; and
2. A complete parts list for the venting system design or venting system.

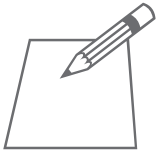
CHAPTER 5 - COMMONWEALTH OF MASSACHUSETTS INSTALLATION REQUIREMENTS

5.4.3 Manufacturer Requirements - Gas Equipment Venting System Not Provided.

When the manufacturer of a Product Approved side wall horizontally vented gas fueled equipment does not provide the parts for venting the flue gases, but identifies “special venting systems”, the following requirements shall be satisfied by the manufacturer:

1. The referenced “special venting system” instructions shall be included with the appliance or equipment installation instructions; and
2. The “special venting systems” shall be Product Approved by the Board, and the instructions for that system shall include a parts list and detailed installation instructions.

A copy of all installation instructions for all Product Approved side wall horizontally vented gas fueled equipment, all venting instructions, all parts lists for venting instructions, and/or all venting design instructions shall remain with the appliance or equipment at the completion of the installation.



A series of horizontal dotted lines for writing, starting from the top right of the notepad illustration and extending across the width of the page.

Additional quality water heating equipment available from Triangle Tube

Maxi-Flo Pool and Spa Heat Exchangers



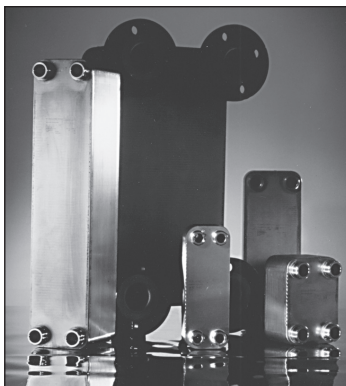
- Constructed of high quality corrosion resistant stainless steel (AISI 316) or titanium
- Specially designed built-in flow restrictor to assure maximum heat exchange
- Compact and light weight
- Available in 8 sizes to accommodate any size pool or spa

SMART Indirect Fired Water Heaters



- Exclusive Tank-in-Tank design
- AL29-4C® Stainless steel construction
- Available in 7 sizes
- Limited LIFETIME residential warranty
- 6 Year limited commercial warranty
- Self cleaning/self descaling design

TTP Brazed Plate Heat Exchangers



- For domestic water, snow melting, radiant floor
- Plates made of AL29-4C® stainless steel, with 99.9 % copper brazing, ensuring a high resistance to corrosion
- Self cleaning and self descaling
- Computerized sizing available from Triangle Tube
- Available in capacities from 25,000 BTU/hr to 5,000,000 BTU/hr



Triangle Tube - 1240 Forest Parkway, Suite 100, West Deptford NJ 08066
Tel: (856) 228 8881 - Fax: (856) 228 3584 - E-mail: info@triangletube.com