

PROJECT: _____	UNIT TAG: _____	QUANTITY: _____
REPRESENTATIVE: _____	TYPE OF SERVICE: _____	DATE: _____
ENGINEER: _____	SUBMITTED BY: _____	DATE: _____
CONTRACTOR: _____	APPROVED BY: _____	DATE: _____
	ORDER NO.: _____	DATE: _____

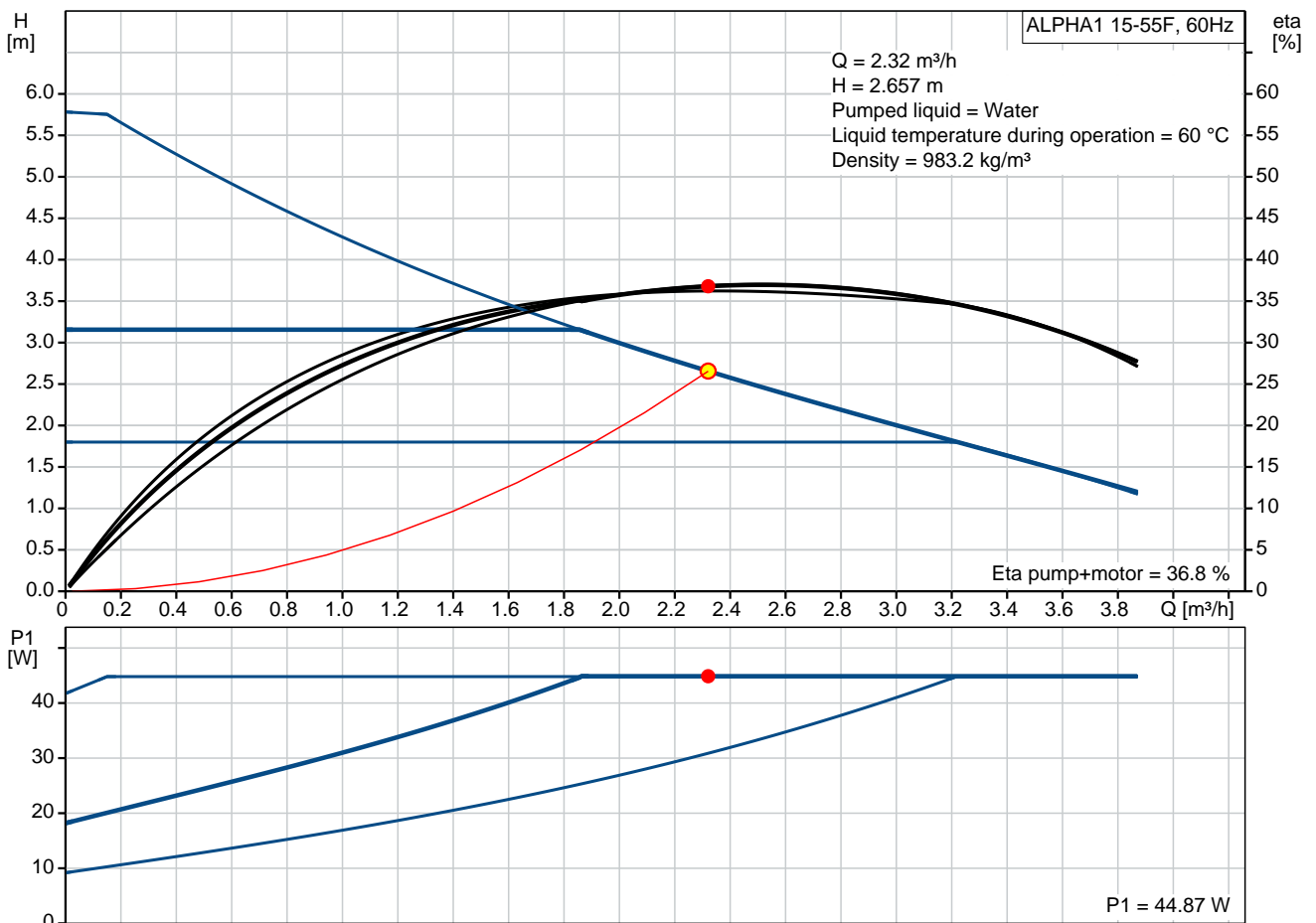


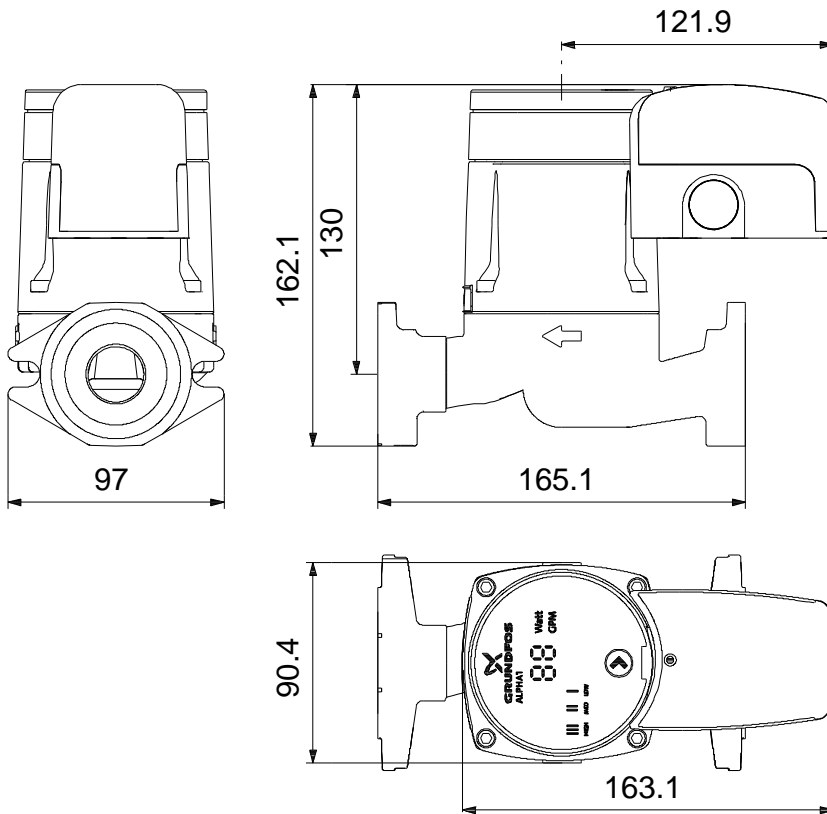
ALPHA1 15-55F

Grundfos ALPHA1 pumps are high-efficiency circulators, designed for circulating liquids in heating systems, and for domestic hot-water recirculation. Featuring three constant-pressure control modes. Suitable as an upgrade and replacement pump.

Note! Product picture may differ from actual product

Conditions of Service		Pump Data		Motor Data	
Flow:	2.32 m ³ /h	Maximum operating pressure:	10 bar	P1 max:	5 .. 45 W
Head:	2.657 m	Liquid temperature range:	2 .. 110 °C	Rated voltage:	115 V
Efficiency:	36.8 %	Maximum ambient temperature:	40 °C	Mains frequency:	60 Hz
Liquid:	Water	Approvals:	ETL, FCC	Enclosure class:	IP42
Temperature:	60 °C	Pipe connection:	1 1/2	Insulation class:	F
NPSH required:	m	Product number:	99287256	Motor protection:	NONE
Viscosity:	_____			Thermal protection:	ELEC
Specific Gravity:	0.985				





Materials:

Pump housing: Cast iron
 EN 1561 EN-GJL-150
 Impeller: Composite

Qty. Description

1 ALPHA1 15-55F



Note! Product picture may differ from actual product

Product No.: [99287256](#)

Grundfos ALPHA1

Grundfos ALPHA1 is versatile and efficient circulator designed for heating and hot water recirculation systems. It features constant pressure control mode with three settings; Low, Intermediate, High. The intuitive one-button operation makes selection of the settings easy. The current operating mode is always visible on LED display.

Compact design

With the electronics integrated into the motor housing and standard 2-Bolt flange connection, installation into confined spaces and challenging applications are now possible. The ALPHA1 materials and design resist blockage from magnetite and iron oxide particles found in closed hydronic systems. The large LED display shows the current energy consumption in Watts and estimated flow in gallons per minute

Robust startup

Enables the ALPHA1 to continuously attempt to restart – indefinitely – in blocked rotor conditions

ALPHA1 is complete with an integrated check-valve, and nut captures for flanges. It comes in both cast iron and stainless steel models

Two options for power connections

For installation, you have the flexibility to use either our unique ALPHA Plug with line cord or the ALPHA1 with terminal box for conduit connections

Liquid:

Pumped liquid: Water
 Liquid temperature range: 2 .. 110 °C
 Selected liquid temperature: 60 °C
 Density at selected liquid temperature: 983.2 kg/m³

Technical:

Actual calculated flow: 2.32 m³/h
 Resulting head of the pump: 2.657 m
 TF class: 110
 Approvals on nameplate: ETL, FCC

Materials:

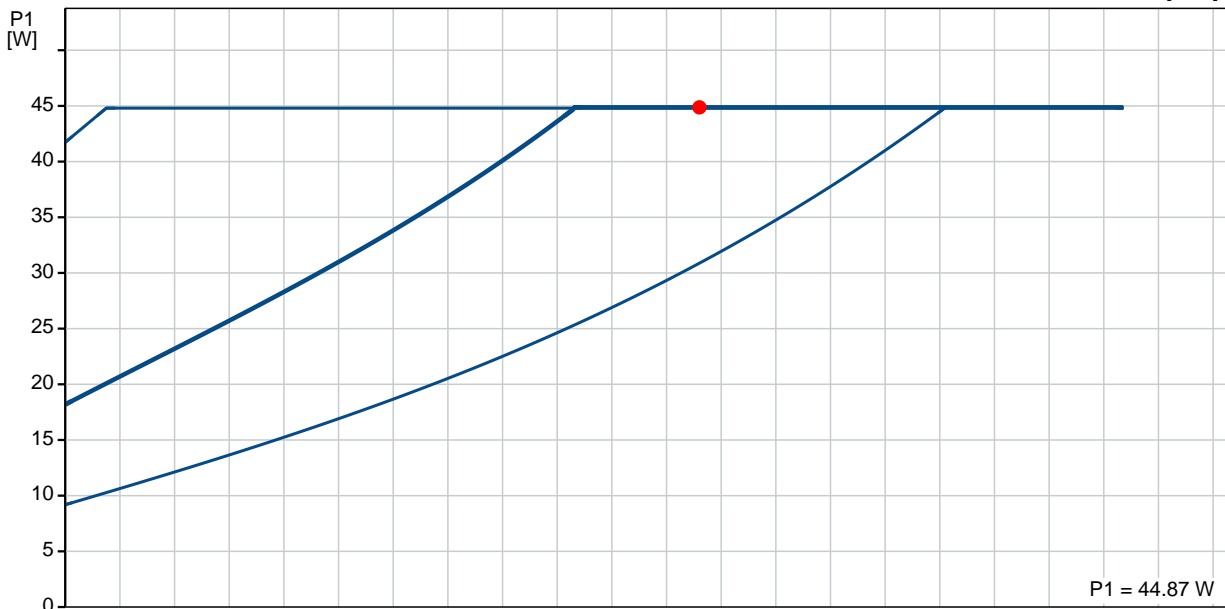
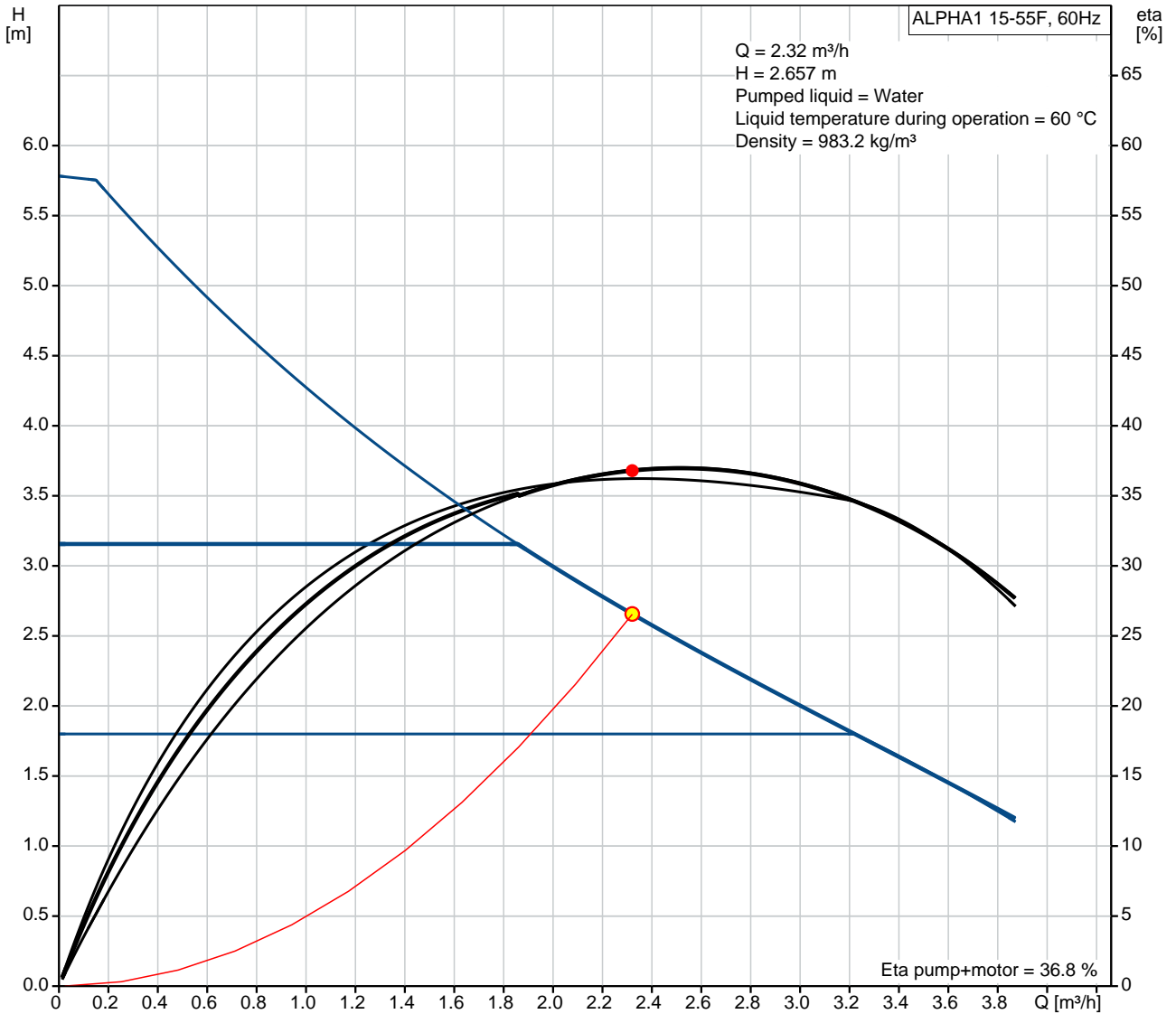
Pump housing: Cast iron
 EN 1561 EN-GJL-150
 Impeller: Composite

Installation:

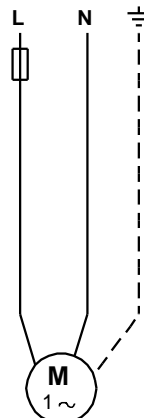
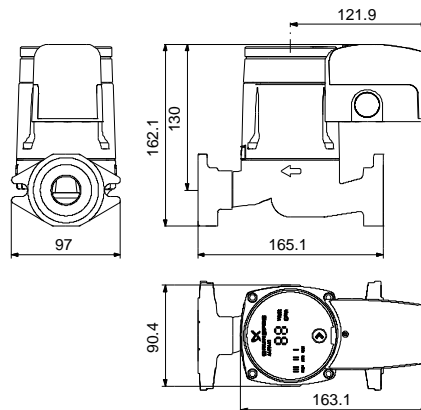
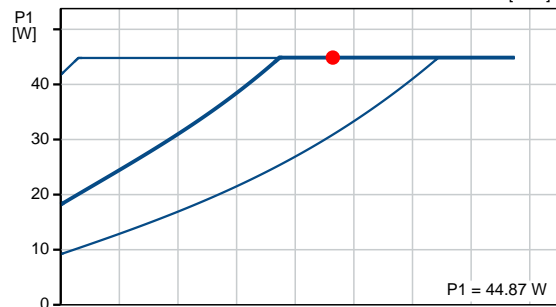
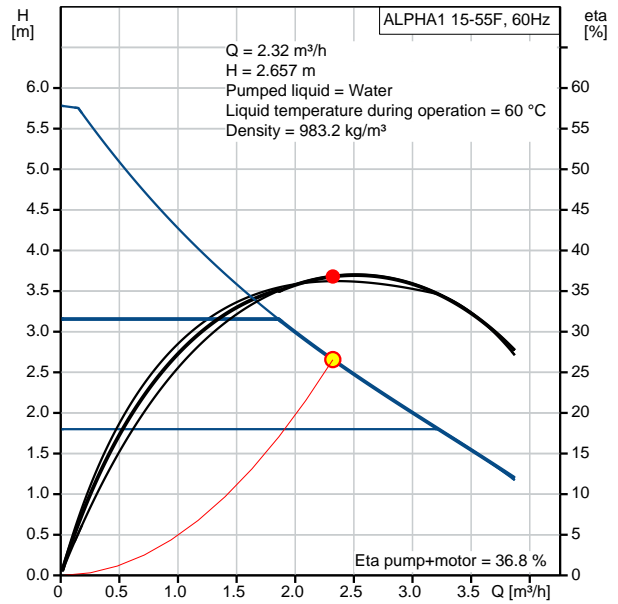
Range of ambient temperature: 0 .. 40 °C
 Maximum operating pressure: 10 bar
 Type of connection: GF

Qty.	Description
	<p>Pipe connection: 1 1/2 Pressure rating: PN 10 Port-to-port length: 165 mm</p> <p>Electrical data: Power input - P1: 5 .. 45 W Mains frequency: 60 Hz Rated voltage: 1 x 115 V Maximum current consumption: 0.1 .. 0.65 A Enclosure class (IEC 34-5): IP42 Insulation class (IEC 85): F</p> <p>Others: Net weight: 2.88 kg Gross weight: 3.22 kg Shipping volume: 0.002 m³</p>

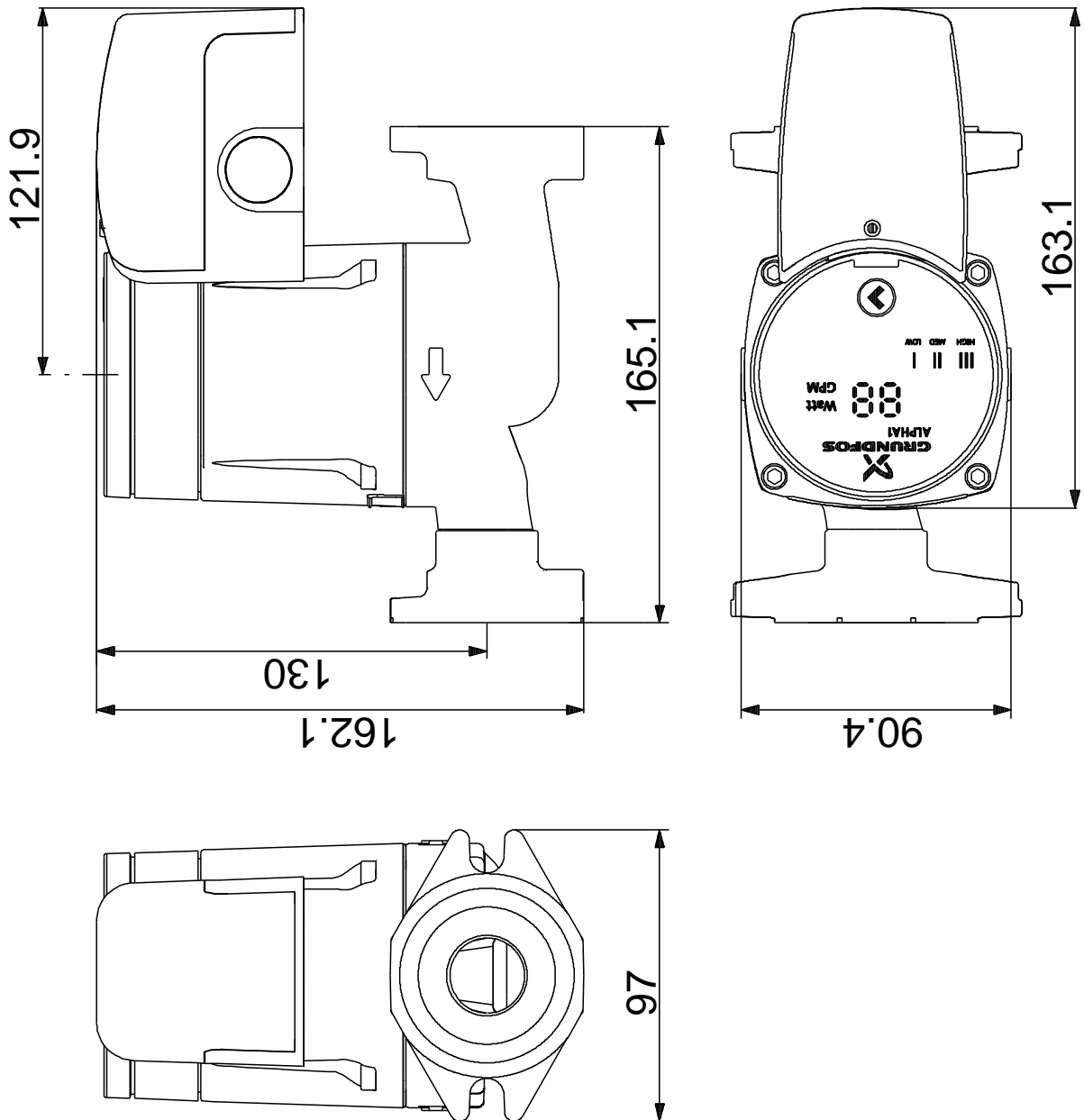
99287256 ALPHA1 15-55F 60 Hz



Description	Value
General information:	
Product name:	ALPHA1 15-55F
Product No:	99287256
EAN number:	5713826610364
Technical:	
Actual calculated flow:	2.32 m ³ /h
Resulting head of the pump:	2.657 m
Head max:	55 dm
TF class:	110
Approvals on nameplate:	ETL, FCC
Materials:	
Pump housing:	Cast iron EN 1561 EN-GJL-150
Impeller:	Composite
Installation:	
Range of ambient temperature:	0 .. 40 °C
Maximum operating pressure:	10 bar
Type of connection:	GF
Pipe connection:	1 1/2
Pressure rating:	PN 10
Port-to-port length:	165 mm
Liquid:	
Pumped liquid:	Water
Liquid temperature range:	2 .. 110 °C
Selected liquid temperature:	60 °C
Density at selected liquid temperature:	983.2 kg/m ³
Electrical data:	
Power input - P1:	5 .. 45 W
Mains frequency:	60 Hz
Rated voltage:	1 x 115 V
Maximum current consumption:	0.1 .. 0.65 A
Enclosure class (IEC 34-5):	IP42
Insulation class (IEC 85):	F
Motor protec:	NONE
Thermal protec:	ELEC
Controls:	
Pos term box:	6H
Others:	
Net weight:	2.88 kg
Gross weight:	3.22 kg
Shipping volume:	0.002 m ³
Sales region:	USA

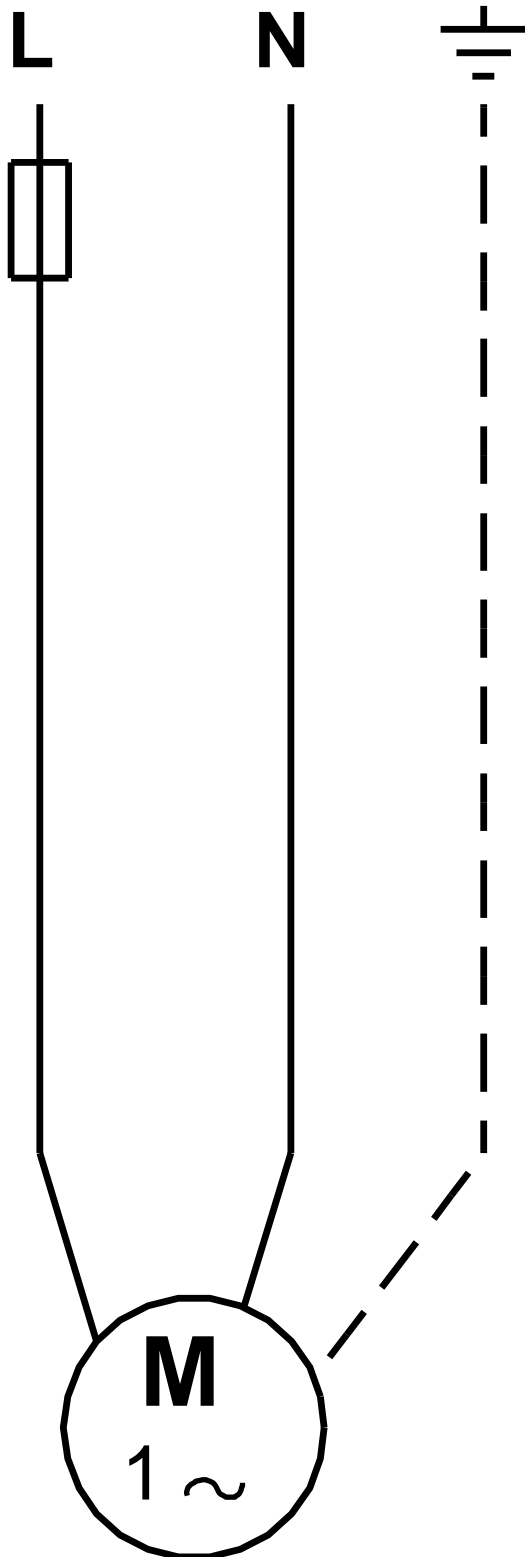


99287256 ALPHA1 15-55F 60 Hz



Note! All units are in [mm] unless others are stated.
Disclaimer: This simplified dimensional drawing does not show all details.

99287256 ALPHA1 15-55F 60 Hz



Note! All units are in [mm] unless others are stated.



Company name:

Created by:

Phone:

Date: 03/05/2019

Order Data:

Product name: ALPHA1 15-55F

Amount: 1

Product No: 99287256

Total: Price on request
