

► **Code Number**

3910176

► **Flush Cycle**

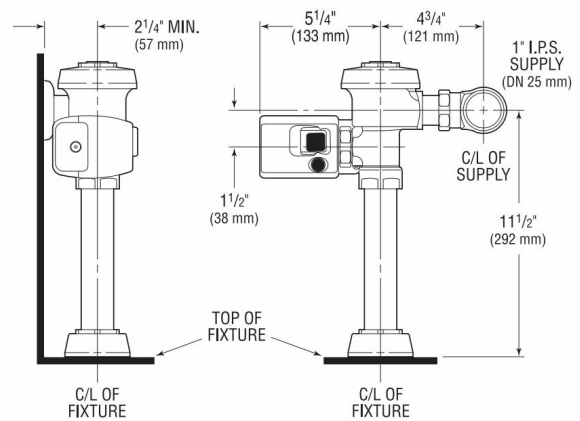
1.6 gpf/6.0Lpf

► **Description**

Exposed, Battery Powered, Side Mount Sensor Operated Water Closet Flushometer for floor mounted or wall hung top spud bowls.

► **Specifications**

- Quiet, Exposed, Diaphragm Type, Chrome Plated Closet Flushometer with the following features:
- PERMEX™ Synthetic Rubber Diaphragm with Dual Filter Bypass
- ADA Compliant OPTIMA® Battery Powered Infrared Sensor for automatic "No Hands" operation
- Chrome Plated Infrared Sensor Housing
- Angled Sensor Window
- Four (4) Size C Batteries included
- "Low Battery" Flashing LED with Optional Audio Tone
- "User in View" Flashing LED
- Optional 24-Hour Sentinel Flush
- Infrared Sensor Range Adjustment Screw and Reset Button
- High Back Pressure Vacuum Breaker Flush Connection with Hex Coupling Nut and Spud Coupling for 1 1/2" Top Spud
- Sweat Solder Adapter w/Cover Tube and Cast Wall Flange w/Set Screw
- No External Volume Adjustment to Ensure Water Conservation
- Adjustable Tailpiece
- High Copper, Low Zinc Brass Castings for Dezincification Resistance
- 1" I.P.S. Screwdriver Bak-Chek® Angle Stop with Vandal Resistant Stop Cap
- Flush accuracy controlled by CID® technology
- Valve Body, Cover, Tailpiece and Control Stop shall be in conformance with ASTM Alloy Classification for Semi-Red Brass. Valve shall be in compliance with the applicable sections of ASSE 1037 and ANSI/ASME 112.19.2.
- Diaphragm, Stop Seat and Vacuum Breaker to be molded from PERMEX® rubber compound for Chloramine resistance



► **Automatic Operation**

Sloan OPTIMA SMO equipped Flushometers provide the ultimate in sanitary protection and automatic operation. There is no need for AC hookups or wall alterations. The Flushometer operates by means of a battery powered infrared sensor. Once the user enters the sensor's effective range and then steps away, the Side Mount Unit initiates the flushing cycle to flush the fixture.

► **Hygienic**

User makes no physical contact with the Flushometer surface except to initiate the Override Button when required. Helps control the spread of infectious diseases.

► **Compliance & Certifications**



This space for Architect/Engineer Approval

### ► OPERATION

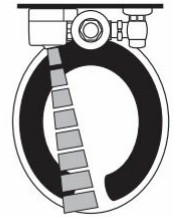
1. A continuous, invisible light beam is emitted from the Object Lock Infrared Sensor.



2. As the user enters the beam's effective range, 8" to 54" (203 mm - 1372 mm), the Object Lock Infrared Sensor senses the user.



3. When the user steps away from the Object Lock Infrared Sensor, the circuit initiates the flushing cycle to flush the fixture. The Circuit then automatically resets and is ready for the next user.



### ► Control Circuit

Solid State

6 VDC — operates on four (4) alkaline C-size batteries.

### ► Sensor Range

Nominal 8" - 54" (203 mm- 1372 mm)

Factory Set at 24" (610 mm)

### ► Operation Features

24-Hour Sentinel Flush

Audio Low Battery Tone

(can be turned on and off)

### ► Operating Pressure

25-80 psi (172-552 kPa)

### ► Indicator Lights

User in View/Low Battery

### ► Battery Life

3 Years @ 4,000 flushes/month

### ► Economical

Automatic operation provides water usage savings over other flushing devices. Reduces maintenance and operation costs.

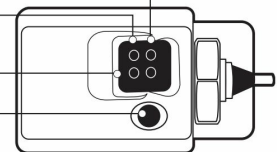
### ► VISUAL INDICATOR GUIDE

**USER-IN-VIEW L.E.D.** — Green light flashes 3 times after 5 second delay when a user is in view. The green light flashes constantly when a user is in view during the 7 minute start up sequence.

**BATTERY L.E.D.** — Yellow light flashes indicating it is time to replace batteries with four (4) new Type "C" batteries.

**OBJECT LOCK SENSOR** — Detects user or object.

**COURTESY MANUAL FLUSH BUTTON** — Allows manual activation of flush when needed.



### ► FUNCTION SETTINGS

**Sensor Range Adjustment Screw** — Use Sensor Adjustment Tool

Sensor Range Adjustment: Short — | + Long

**Operation Features**

Switch 1 24 Hours Flush On Switch 2 Alarm Tone On	Switch 1 24 Hours Flush On Switch 2 Alarm Tone Off	Switch 1 24 Hours Flush Off Switch 2 Alarm Tone On	Switch 1 24 Hours Flush Off Switch 2 Alarm Tone Off
--	---	---	--

**Sensor Range Reset Button**

**Battery LED (Yellow) Flashing LED** = Change Batteries

**User-In-View LED (Green) Flashes 3 Times** = User Acknowledged and Ready to Operate per Mode Setting

**Object Lock Sensor** - Detects User or Object

**Courtesy Manual Flush Button** - Allows Manual Activation of Flush When Needed